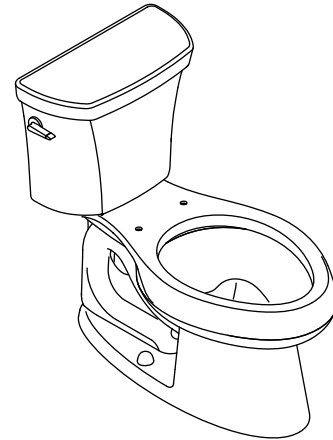


Features

- Vitreous china
- Elongated bowl
- Class Five® dual flushing system
- Polished chrome trip lever
- Less seat and supply
- 12" (305 mm) rough-in
- High efficiency 1.6 gpf (6 lpf) or 0.8 gpf (3 lpf)
- 2-1/8" (54 mm) glazed trapway
- 11-1/4" (286 mm) x 8-1/4" (210 mm) water area
- 30" (762 mm) x 18" (457 mm) x 29-1/4" (743 mm)

CLASS FIVE® DUAL FLUSH TOILET K-3988



Codes/Standards Applicable

Specified model meets or exceeds the following:

- ASME A112.19.2/CSA B45.1
- EPA WaterSense®

Colors/Finishes

- 0: White
- Other: Refer to Price Book for additional colors/finishes

Accessories

- 0: White
- CP: Polished Chrome
- Other: Refer to Price Book for additional colors/finishes

Specified Model

Model	Description	Trip Lever	Colors/Finishes	
K-3988	Class Five dual flush toilet	left-hand	<input type="checkbox"/> 0	<input type="checkbox"/> Other_____

Recommended Accessories				
K-4636	Cachet® Quiet-Close™ seat with Quick-Release™ functionality	<input type="checkbox"/> 0		<input type="checkbox"/> Other_____
K-4688	Cachet elongated toilet seat with cover	<input type="checkbox"/> 0		<input type="checkbox"/> Other_____
K-7637	Angle supply with stop – 3/8" NPT		<input type="checkbox"/> CP	<input type="checkbox"/> Other_____

Product Specification

The elongated bowl toilet shall be made of vitreous china. Toilet shall be 30" (762 mm) in length, 18" (457 mm) in width, and 29-1/4" (743 mm) in height with a 11-1/4" (286 mm) x 8-1/4" (210 mm) water area. Product shall feature a high efficiency 1.6 gpf (6 lpf) or 1.1 gpf (4.2 lpf) and Class Five dual flushing system. Toilet shall include polished chrome trip lever. Toilet shall have 2-1/8" (54 mm) glazed trapway. Toilet shall be 12" (305 mm) rough-in. Toilet shall be less seat and supply. Toilet shall be Kohler Model K-3988-_____-_____.

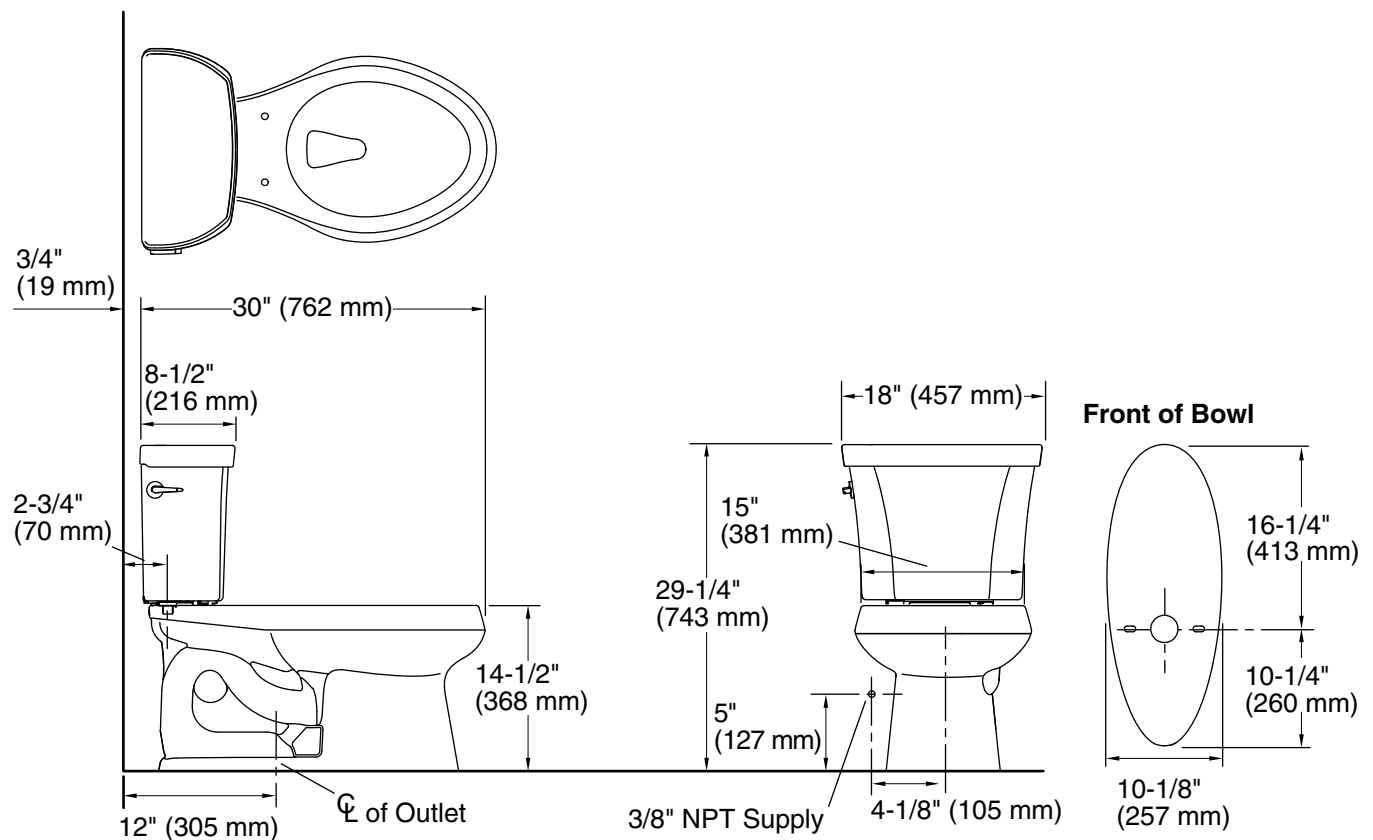
WELLWORTH®

Technical Information

Fixture:	
Configuration	Two-piece, elongated
Water per flush	1.1 gal (4.2 L) or 1.6 gal (6 L)
Passageway	2-1/8" (54 mm)
Water area	11-1/4" (286 mm) x 8-1/4" (210 mm)
Water depth from rim	5-1/4" (133 mm)
Seat post hole centers	5-1/2" (140 mm)
Included components:	
Bowl	K-4198
Tank	K-4458
Tank cover	1138565
Trip lever - left hand	K-9237
Bolt cap accessory pack	1013092

Installation Notes

Install this product according to the installation guide.



Product Diagram