

### Features

- Frameless design highlights showering area.
- Innovative roller design simplifies installation and provides out-of-plumb adjustability.
- Frameless, 3/8" (10 mm) thick frosted Crystal Clear glass.
- Door tracking system features a hidden, cushioned, center guide for smooth, quiet sliding action.
- Smooth, easy-to-clean wall jambs.
- Contemporary vertical blade handles complete the look of this door.
- CleanCoat® technology creates a barrier between the water and glass to help keep your shower door looking new.

### Material

- Anodized aluminum prevents rusting or corrosion.
- Tempered glass ensures maximum safety and durability.

### Installation

- Out-of-plumb adjustability allows for simpler installation.
- Can be installed to open to the left or right.

### Components

Additional included component/s: Hardware kit.



### Codes/Standards

CPSC 16CFR 1201  
ANSI Z97.1 (Tempered Glass)

### KOHLER® One-Year Limited Warranty

See website for detailed warranty information.

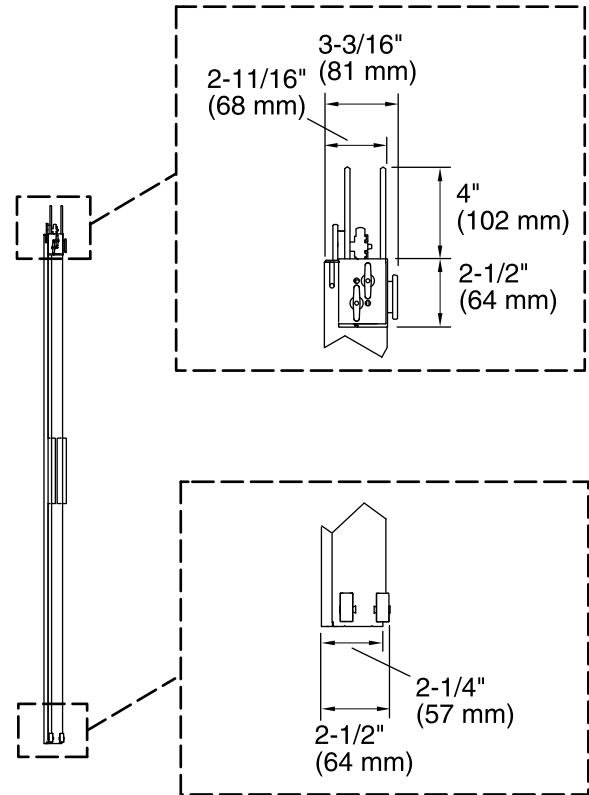
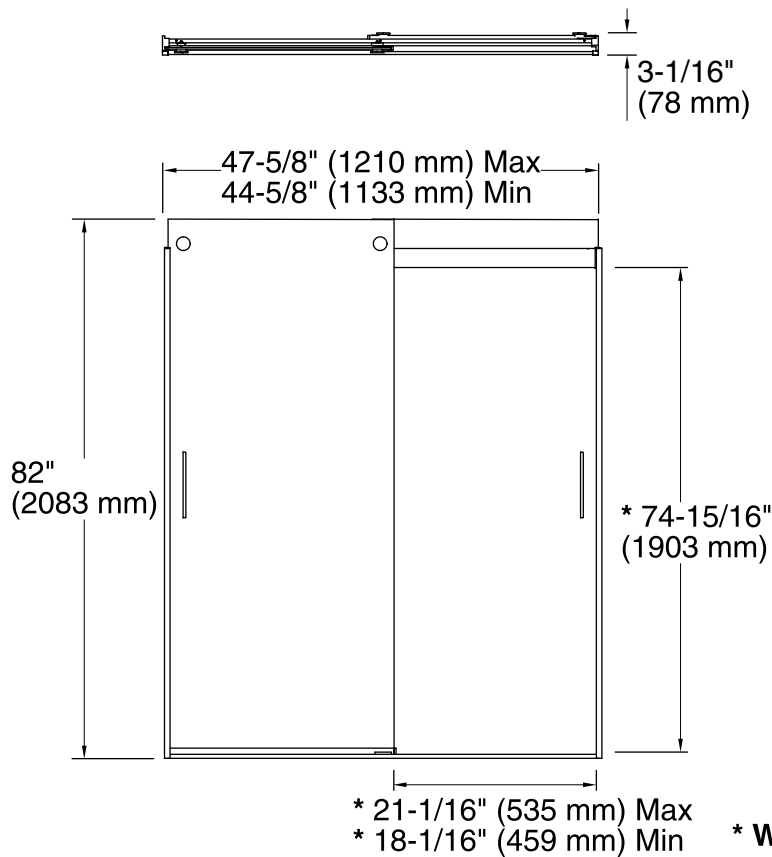
### Available Color/Finishes

*Color tiles intended for reference only.*

| Color  | Code | Description             |
|--|------|-------------------------|
|  | SHP  | Bright Polished Silver  |
|  | NX   | Brushed Nickel          |
|  | ABV  | Anodized Brushed Bronze |
|  | ABZ  | Anodized Dark Bronze    |

### Available Glass Options

| Code | Description   |
|------|---------------|
| L    | Crystal Clear |



**\* Walk-through**

## Technical Information

All product dimensions are nominal.

|                      |                              |
|----------------------|------------------------------|
| Installation type:   | For shower base installation |
| Opening style:       | Sliding/Bypass               |
| Opening Width - Min: | 44-5/8" (1133 mm)            |
| Opening Width - Max: | 47-5/8" (1210 mm)            |
| Walk-through - Min:  | 18-1/16" (459 mm)            |
| Walk-through - Max:  | 21-1/16" (535 mm)            |
| Glass thickness:     | 3/8" (10 mm)                 |
| Glass coating:       | CleanCoat®                   |

## Notes

Install this product according to the installation guide.

If replacing a shower door, the narrow wall jamb design of this door may not cover the existing shower door holes.

The vertical opening should be a minimum of 84-1/2" (2146 mm) to allow for installation clearance.