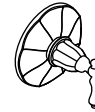
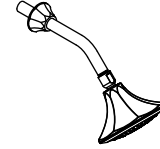


KELSTON®

Features

- Metal construction
- Brass valve bodies
- High-temperature limit setting for added safety
- Rite-Temp® pressure-balancing diaphragm design valve
- Mixing valve cycles from "cold" to "hot"
- Intended for use with Rite-Temp® or HiFlow Rite-Temp® valves
- Pressure-balancing mechanism of one-piece diaphragm cartridge design for ease of maintenance
- ADA compliant lever handle
- Heavy duty slip-fit clamp design

**BATH & SHOWER TRIM SET
K-T13492
ALSO K-T13493, K-T98762**



Codes/Standards Applicable

Specified model meets or exceeds the following:

- ASME A112.18.1/CSA B125.1
- ASSE 1016

Colors/Finishes

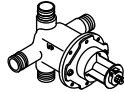

- CP: Polished Chrome
- Other: Refer to Price Book for additional colors/finishes

Accessories

- NA: None applicable

Specified Model

| Model | Description | Colors/Finishes | |
|------------|---|-----------------------------|-------------------------------------|
| K-T13492-4 | Bath & shower trim set, with 1/2" NPT threaded or slip-fit diverter spout (shown) | <input type="checkbox"/> CP | <input type="checkbox"/> Other ____ |
| K-T13493-4 | Shower only trim set | <input type="checkbox"/> CP | <input type="checkbox"/> Other ____ |
| K-T98762-4 | Valve only trim | <input type="checkbox"/> CP | <input type="checkbox"/> Other ____ |

| Required Accessories | |  |  |
|----------------------|-----------------------------------|---|---|
| K-304-* | Rite-Temp® valve OR | <input type="checkbox"/> NA | |
| K-2971-KS | HiFlow Rite-Temp valve with stops | | <input type="checkbox"/> NA |

* For a complete listing of all the Rite-Temp valves, refer to the K-304-* Specification Sheet or Roughing-In sheet.

Product Specification

The bath & shower trim set shall be made of metal construction with brass valve bodies. Product shall have a Rite-Temp pressure-balancing diaphragm design valve and pressure-balancing mechanism of one-piece diaphragm cartridge design for ease of maintenance. Product shall feature mixing valve cycles from "cold" to "hot," a high-temperature limit stop for added safety and a single ADA compliant lever handle. Product shall feature heavy duty slip-fit clamp design. Product is intended for use with Rite-Temp or HiFlow Rite-Temp valves. Faucet trim shall be Kohler Model K-T_____-_____-_____ and required Rite-Temp valve shall be K-_____-_____-NA.

Optional Accessories

| | | | | |
|---------|--|-----------------------------|-----------------------------|--------------------------------------|
| 88526 | HiFlow Rite-Temp® thin wall installation kit | <input type="checkbox"/> CP | | <input type="checkbox"/> Other _____ |
| 1073881 | HiFlow Rite-Temp thick wall installation kit | | <input type="checkbox"/> NA | |

Installation Notes

Install the valve trim according to the installation guide.

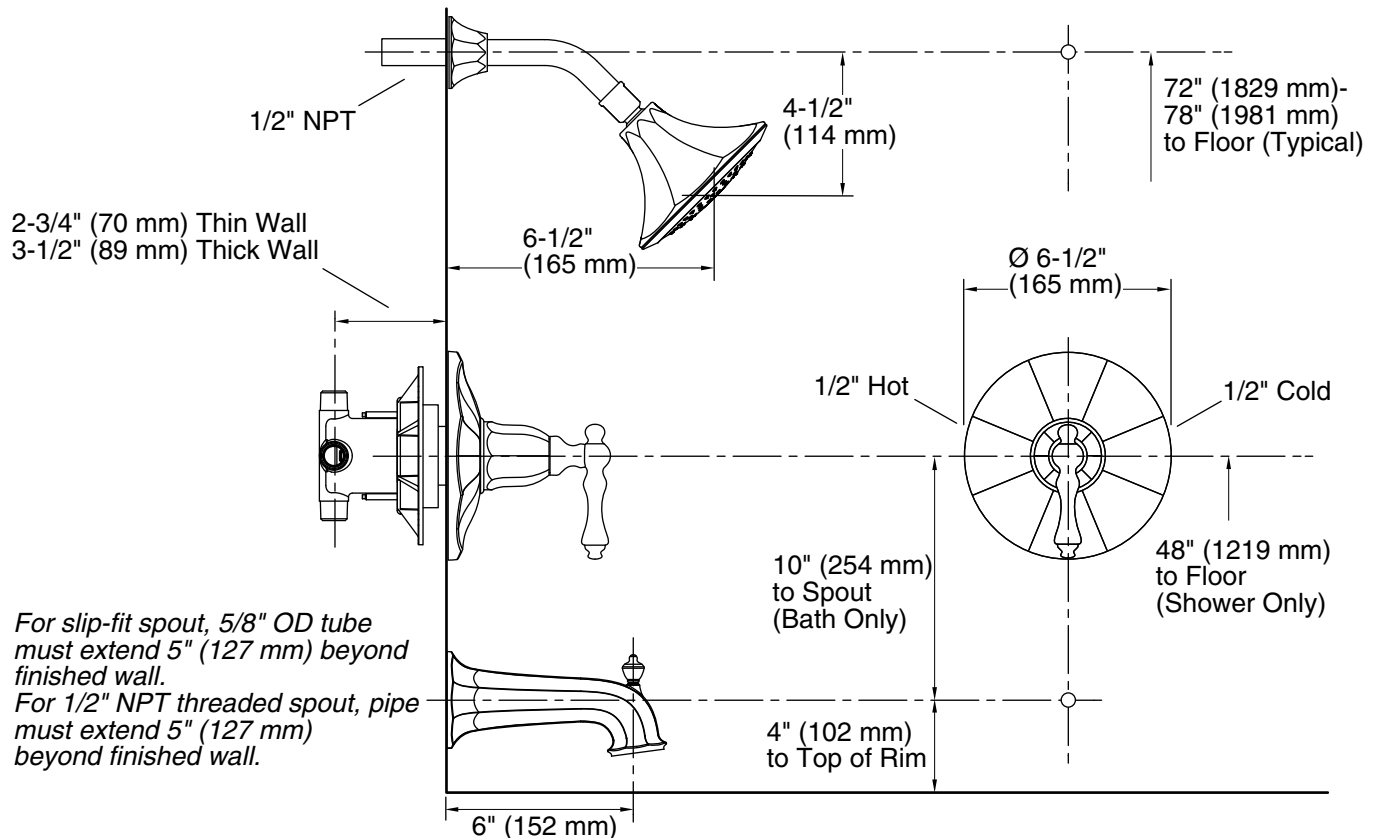
Install the Rite-Temp valve according to the installation guide.

NOTICE: Risk of product damage. Long screws, for installing trim, can damage the K-2971-KS valve. Consult the trim installation guide to verify if the thin wall installation kit (88526) is needed.

Avoid cross-flow conditions. Do not install a shut-off device on either valve outlet.

Cap the shower outlet if the deck-mounted spout, diverter, or handshower is connected to the spout outlet.

Install a 7" (178 mm) to 18" (457 mm) straight pipe or straight tube with single bath elbow between the valve and the wall-mount spout.



Product Diagram