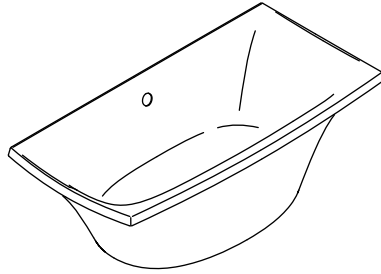


Installation and Care Guide

Bath with Airjets

K-11344, K-14037



Retain serial number for reference:
Conserver le numéro de série pour référence:
Guarde el número de serie para referencia: _____
Français, page "Français-1"
Español, página "Español-1"

THE BOLD LOOK
OF **KOHLER**®

Installation Instructions



WARNING: When using electrical products, basic precautions should always be followed, including the following:



WARNING: Risk of electric shock. Connect only to a circuit protected by a Ground-Fault Circuit-Interrupter (GFCI)*.

Install to permit access for servicing.

A pressure wire connector marked "Earth/Ground" is provided within the wiring compartment. To reduce the risk of electric shock, connect this connector to the grounding terminal of your electric service or supply panel with copper wire equivalent in size to the circuit conductor supplying this equipment.

Pressure wire connectors are provided on the exterior of the junction box or control within this unit to permit connection of a bonding conductor between this unit and all other exposed metal in the vicinity, as needed to comply with local requirements.

An equipment grounding terminal is provided in the field wiring compartment. To reduce the risk of electric shock, this terminal must be connected to the grounding means provided in the electric supply panel with a conductor equivalent in size to the circuit conductors supplying this equipment.

Grounding is required. The unit should be installed by a qualified service representative, and grounded.



WARNING: Risk of injury or property damage. Please read all instructions thoroughly before beginning installation.



WARNING: Risk of electric shock. A qualified electrician should make all electrical connections.



WARNING: Risk of electric shock. Disconnect power before servicing.

NOTICE: Follow all local plumbing and electrical codes. In Canada, install this unit in accordance with the Canadian Electrical Code, Part 1.

*Outside North America, this device may be known as a Residual Current Device (RCD).

Product Information

Electrical Requirements

The installation must have a Class A Ground-Fault Circuit-Interrupter (GFCI) or Residual Current Device (RCD). The GFCI or RCD protects against line-to-ground shock hazards. **Use a 120 V, 15A, 50/60 Hz dedicated service for the bath with airjets.**

The electrical rating of the bath is printed on a label near the blower motor. You can also find the electrical requirements from the Installation Guide packed with the bath in the Product Information section.

If the blower supply cord is damaged, it must be replaced by the manufacturer, its service agent or similarly qualified persons in order to avoid a hazard.

Product Notices



WARNING: Risk of personal injury or property damage. Unauthorized modification may cause unsafe operation or affect performance of the bath. Do not relocate the blower motor, or make other modifications to the bath system in the absence of kit or other published instructions, as this could adversely affect the performance and safe operation of the product. Kohler Co. shall not be liable under its warranty or otherwise for personal injury or damage caused by any such unauthorized modification. Refer to the "Install the Blower Motor" section for blower motor relocation requirements, recommendations, and installation information.

NOTICE: This product contains an automatic water purge mode that turns the blower on for 2 minutes approximately 30 minutes after the unit is turned off and drained.

Product Information (cont.)

NOTICE: Keep the area around the blower motor clean and free of sawdust, insulation, dirt, or other small loose debris. Such material could plug the blower motor air intake and reduce the air flow through the blower.

Connections and Service Access

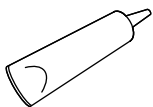
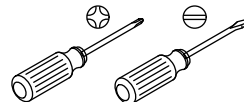
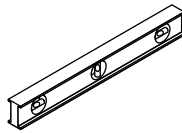
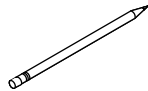
Before installation, ensure proper access to the final connections.

NOTICE: Provide generous, unrestricted service access to the blower. Before installation, ensure that there is proper access to the blower motor and final connections. If the blower motor is installed in an enclosed area, an access panel is required at the blower motor. This panel should be 18" (457 mm) wide and 14" (356 mm) high minimum.

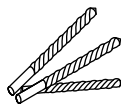
Features

Factory assembled components include a blower motor, air harness, control, check valve, butterfly valves, chromotherapy lights (certain models), electrical harnesses, and an illuminated user keypad. Other than power wiring and plumbing connections, no assembly is required.

Tools and Materials



Sealant



Plus:

- Conventional tools and materials
- Drop cloth
- Fasteners (as necessary)
- Rags
- Saw horses
- Hole saw

Before You Begin

Blower Information

NOTICE: Relocate the blower motor and check valve together. Do not relocate one without the other.

- All material needed for the relocation of the blower motor must be supplied by the installer.
- Additional tools and materials you will need to relocate the blower motor:
 - Electrician pliers
 - Assorted screwdrivers
 - Adjustable wrench
 - Drill and bits to install the blower mounting fasteners
 - 18 AWG non-metallic sheathed cable, two conductors with ground, with support clips, as required
 - One 4" (102 mm) x 2" (51 mm) electrical junction box with cover, gasket, and mounting screws

Before You Begin (cont.)

- Three strain reliefs - one must fit the blower motor cover with standard National Pipe Thread (NPT) threads. The other two must fit the holes in the new junction box.
- Six wire connectors (wire nuts or equivalent)
- 1-1/2" PVC or other rigid or flexible pipe with fittings, unions, PVC cement (or equivalent fastening method), and support clips, as required
- Four fasteners (such as flathead wood screws or concrete anchors) to secure the blower motor
- Solid copper 8-gauge bonding wire, 36" (914 mm)

Bath Information

IMPORTANT! To ensure a successful installation, install the bath on a level finished floor.

IMPORTANT! This product requires a K-7219 drain for proper installation.

- Observe all local plumbing and building codes.
 - Unpack and inspect the bath for damage. Return the bath to the carton until installation.
 - Make sure all plumbing connections around the bath are easily accessible for future maintenance.
 - We strongly recommend that this installation be performed by a professional plumber or contractor.
 - Provide access for making the final drain connection from below.
 - A minimum of two people are needed to perform this installation.
 - This bath is designed for a freestanding installation only.
 - Select fasteners and a drilling method based on the type of floor the bath will be attached to.
 - This bath conforms to CSA B45.5/IAPMO Z124. All dimensions are nominal.
- Relocate the blower and check valve as close as possible to the bath to maximize performance. Do not relocate the blower and check valve more than 15' (4.5 m) from the bath.
 - Position the blower 1-1/2" (38 mm) above the floor. Do not mount the blower motor with the blower motor discharge pointing up.
 - The blower motor must have adequate ventilation for cooling and airflow. Do not install the blower motor closer than 1" (25 mm) from the wall or other objects. Provide a free space of about 30 cubic feet (0.8 cubic meters) for cooling.
 - The check valve must be relocated with the blower motor.** At the new location, the check valve must be no lower than 24" (610 mm) below the rim of the bath. The check valve must be within 12" (305 mm) of the blower motor. The check valve must be oriented vertically with the flow arrow pointing up. **DO NOT relocate the control unit.** The control unit must remain with the unit.
 - Use 1-1/2" PVC or equivalent piping.
 - The piping installation must meet the requirements of local plumbing or building codes. Ensure that the installation does not reduce the fire rating of any walls. Piping must be supported at intervals along the length in accordance with local codes.
 - Ensure that the blower motor location is clean and free of dust or debris.
 - Install an access panel for blower motor maintenance.
 - The 18 AWG minimum power cable to the blower motor must meet the requirements of all applicable electrical or building codes. Ensure that the installation does not reduce the fire rating of any walls.
 - The power cord must be supported at intervals along its length in accordance with local codes. Power cords must not rest on surfaces or floors that are subject to flooding.

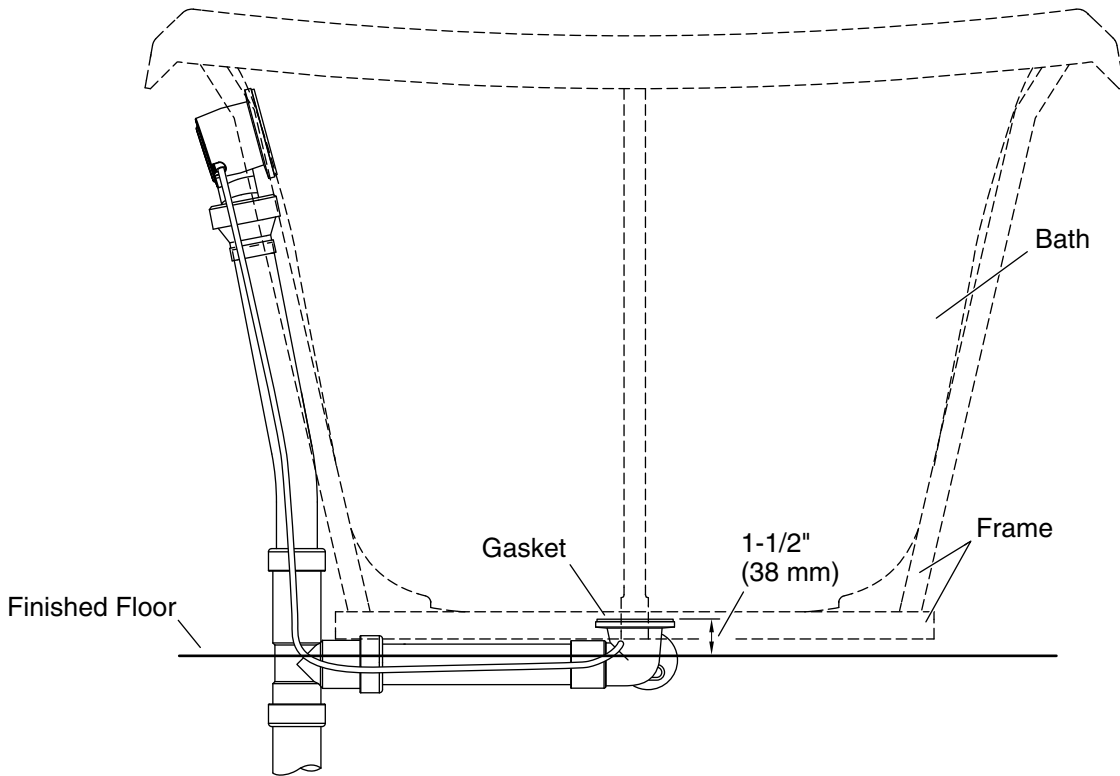
1. Prepare the Site

NOTICE: Provide adequate floor support.

NOTICE: Measure your product for site preparation. Note the **model number** located on the blower end of the bath, then visit the product page at www.kohler.com for more information.

Prepare the Site (cont.)

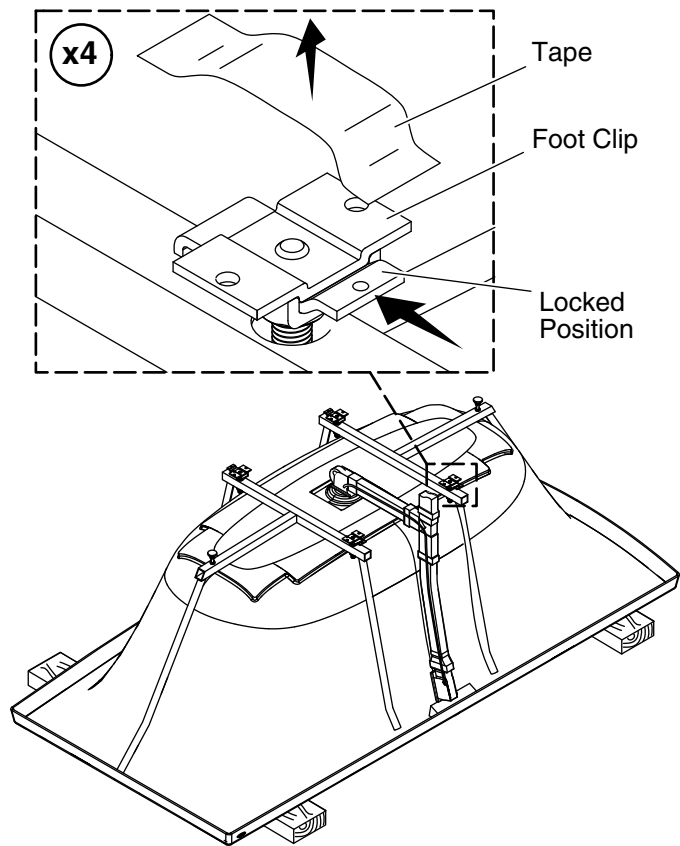
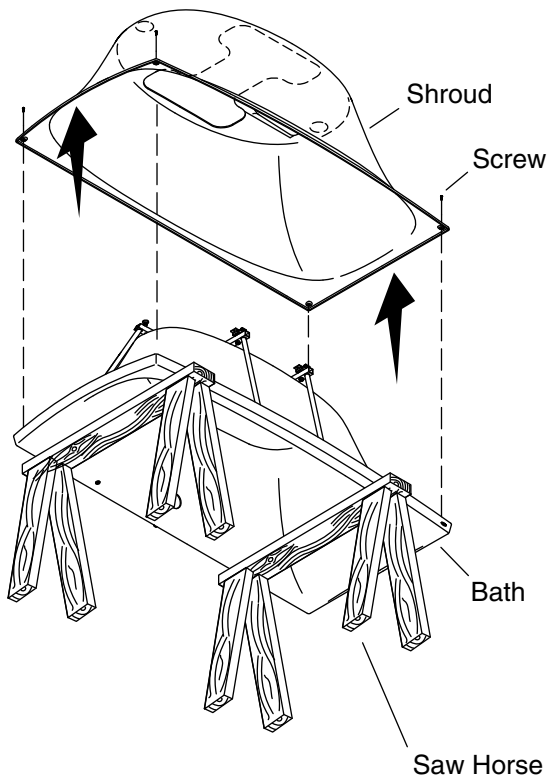
- Ensure the subfloor is level.
- Determine the location of the bath. Provide a minimum clearance of 24" (610 mm) around the perimeter of the bath. Additional space is recommended to ease installation.
- Use the cut-out template provided with the bath to properly mark the water supply and drain locations in relation to the chosen location of the bath.
- Install an access panel to service the remote blower motor.
- Prepare the routing paths for 1-1/2" PVC piping and a keypad cable to run under the floor from the blower to the bath. Follow all applicable building, fire, plumbing, and electrical codes.
- Determine the location on the floor where the PVC piping from the blower will exit from under the floor to connect to the bath piping. Mark this location on the floor.
- Cut the marked water supply and drain locations in the subfloor with a saw and hole saw.
- Cut the hole for the blower PVC piping and keypad cable at the marked location on the floor.
- Install the rough water supply and drain lines.
- Install the finished flooring material prior to installing the bath.
- Ensure the finished floor is level before proceeding with the bath installation.



2. Prepare the Drain Location

IMPORTANT! For installation on a concrete floor, clearance for the drain assembly must be provided. Refer to the template provided with the bath.

- Provide access for making the final drain connection from below.
- Verify adequate drain clearance so the bath will install properly.



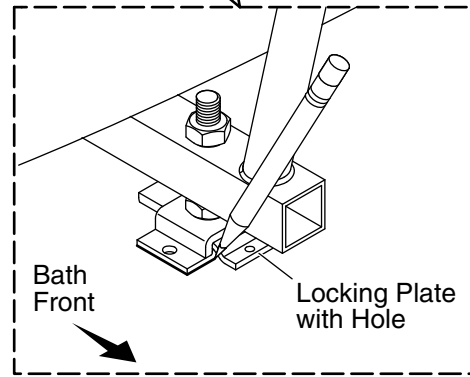
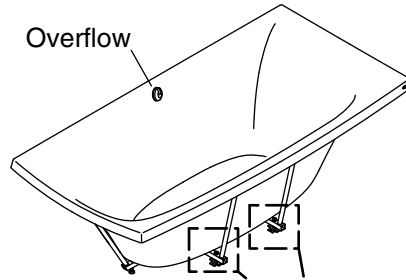
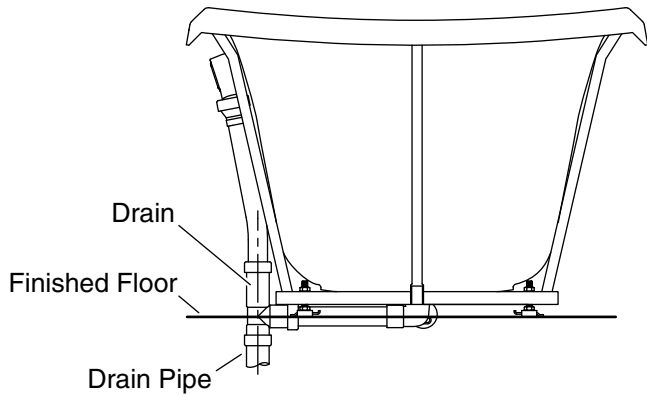
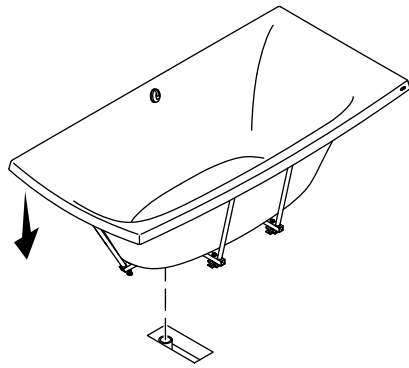
3. Prepare the Bath

IMPORTANT! Do not remove the bath feet or levelers from the bath.

- Position the bath upside down on saw horses.
- Remove and retain the screw from each corner of the bath shell.
- Lift the shroud off the bath shell and set it aside.

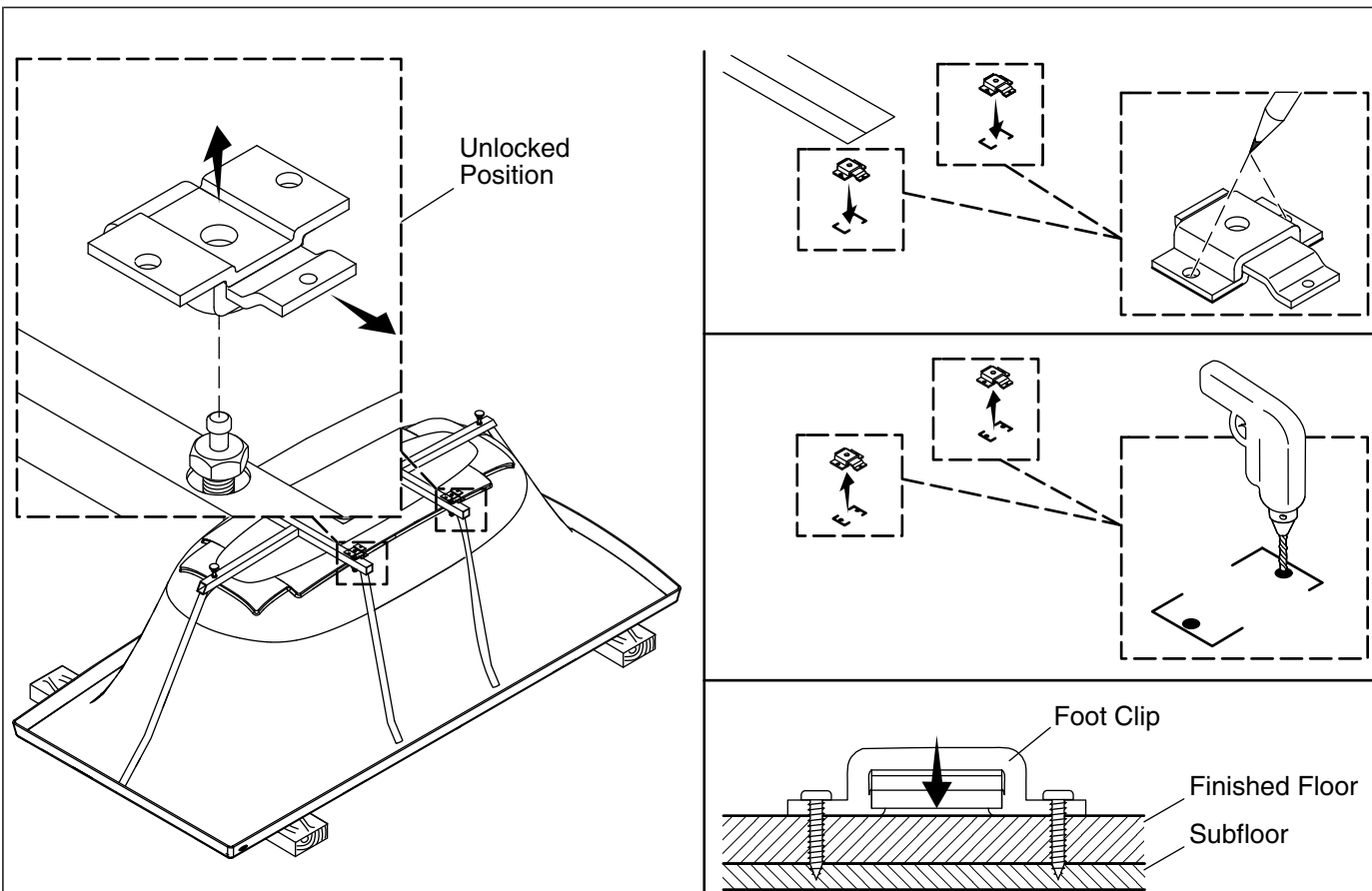
IMPORTANT! For installation on a concrete floor, clearance for the drain assembly must be provided. Refer to the template provided with the bath.

- Install the bath drain to the bath according to the instructions included with the drain.
- Remove the tape from the four foot clips. Make sure the locking plates are in the locked position and are oriented toward the outside of the bath as illustrated.



4. Position Two Foot Clips (Without Shroud)

- Turn the bath shell over and set it in position on the finished floor. Make sure the drain lines up with the drain pipe and there is no drain interference with the floor.
- Position each locking plate with the hole to the outside of the bath.
- Trace around the edges of the two foot clips located at the front of the bath, opposite the overflow.
- Lift the bath and turn it upside down on saw horses.

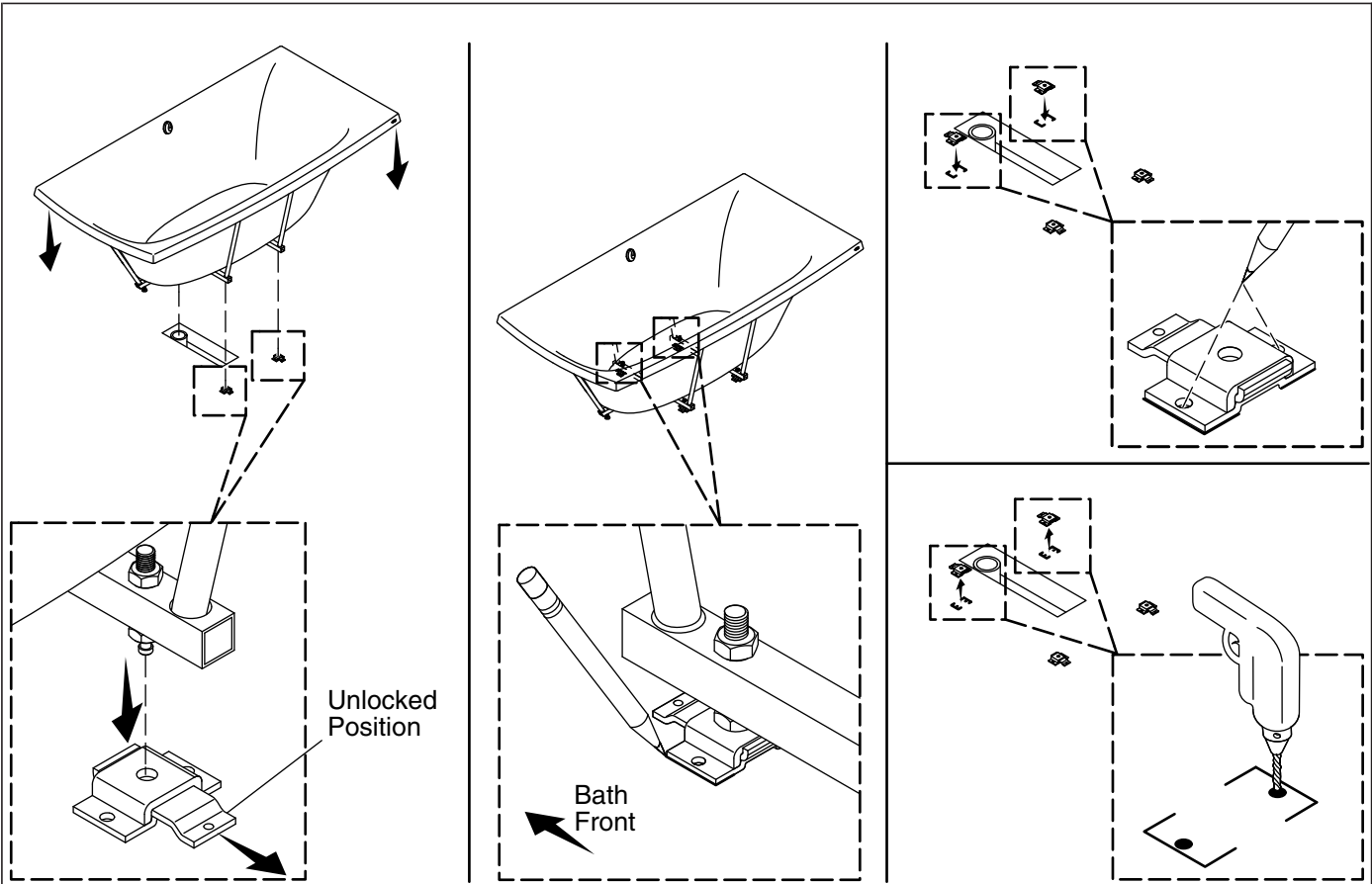


5. Secure Two Foot Clips (Without Shroud)

- Pull out the locking plates on the two foot clips that were traced on the floor and remove the foot clips.
- Position these foot clips on the traced lines and mark the four screw holes.

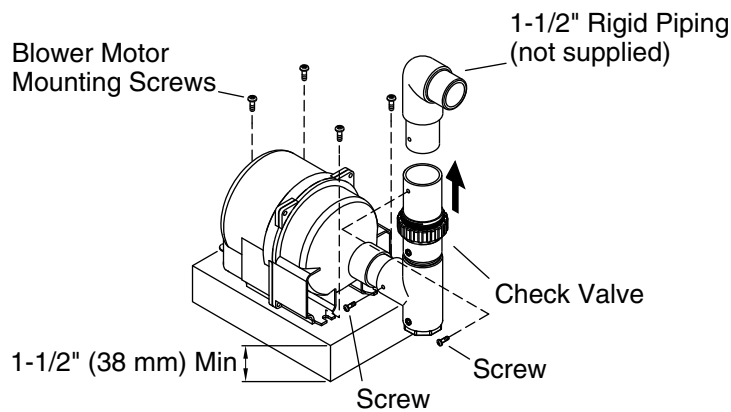
IMPORTANT! Make sure the foot clips will be flush with the finished floor after installation. If you use anchors that protrude above the finished floor, recess the finished floor material around the holes or recess the anchors so the foot clips are flat against the finished floor.

- Carefully drill the four screw hole locations in the finished floor, and secure the foot clips to the floor using fasteners suitable for the floor material.



6. Secure Remaining Foot Clips (Without Shroud)

- Reposition the bath so the two posts located on the bath frame fit into the installed foot clips. **Do not move the locking plates** into the locked position on the two foot clips mounted to the floor.
- Make sure the locking plate screw hole faces the outside of the bath on each of the two remaining foot clips.
- Trace the outline of the two remaining foot clips.
- Lift the bath and set it aside.
- Repeat the previous steps to remove, mark, drill, and secure the two remaining foot clips.



7. Install the Blower Motor

NOTE: Refer to the "Before You Begin" section for other detailed requirements for the blower motor relocation.

- At the chosen blower motor location, install a 1-1/2" (38 mm) high block (not supplied) above the floor to support the blower motor. Select a block of sufficient length and width to support the entire blower motor.
- Fasten the blower motor to the support block with appropriate fasteners (not supplied).
- Install the check valve at the blower motor location. The check valve must be oriented vertically. Confirm the check valve is oriented with the flow arrow pointing away from the blower motor, and that it is located no lower than 24" (610 mm) below the bath rim.
- Install and support 1-1/2" PVC piping (not supplied) under the floor between the blower motor and the bath location. Do not connect the PVC piping at either end until instructed.
- At the bath, cement a union or other serviceable connection to the coiled blower hose.
- Confirm all wall holes are properly sealed and comply to local building and fire codes.

8. Make Electrical Connections - USA and Mexico



WARNING: Risk of electric shock. Connect the blower motor to a properly grounded, grounding-type receptacle protected by a Ground-Fault Circuit-Interrupter (GFCI) or Residual Current Device (RCD). Do not remove the grounding pin from the plug. Do not use a grounding adapter.



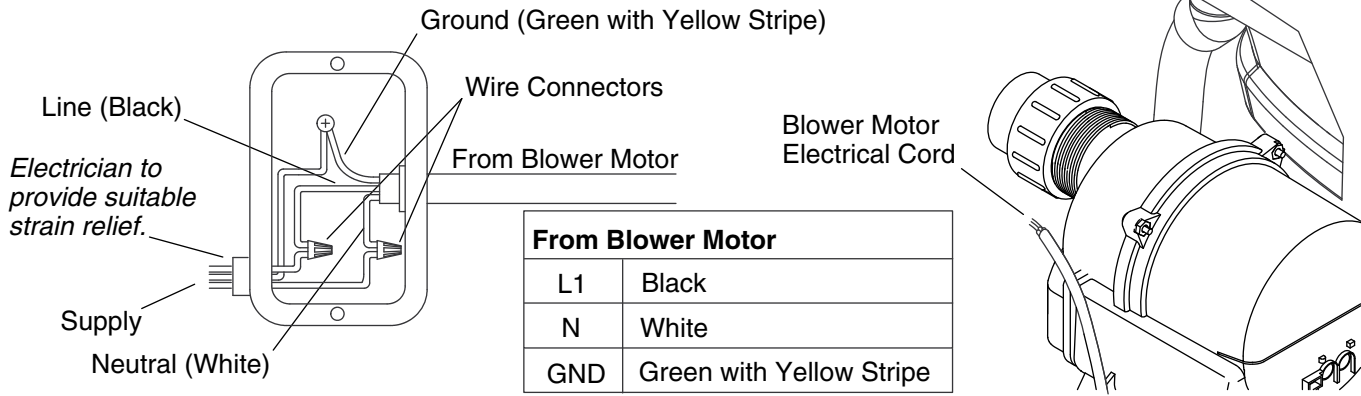
WARNING: Risk of electric shock. Disconnect the power before performing the following procedures.

NOTICE: The blower motor is equipped with a cord and plug. A qualified electrician must install a GFCI- or RCD-protected, 120 V, 15 A, grounded outlet for the blower. No other load should be on this circuit.

- Install an electrical outlet behind the bath, at least 1-1/2" (38 mm) above the subfloor, and within reach of the 24" (610 mm) power cord.
- Plug the blower into the outlet.

The junction box should be wired as shown.

Bond in accordance with national and local codes.



9. Make the Electrical Connections – Canada

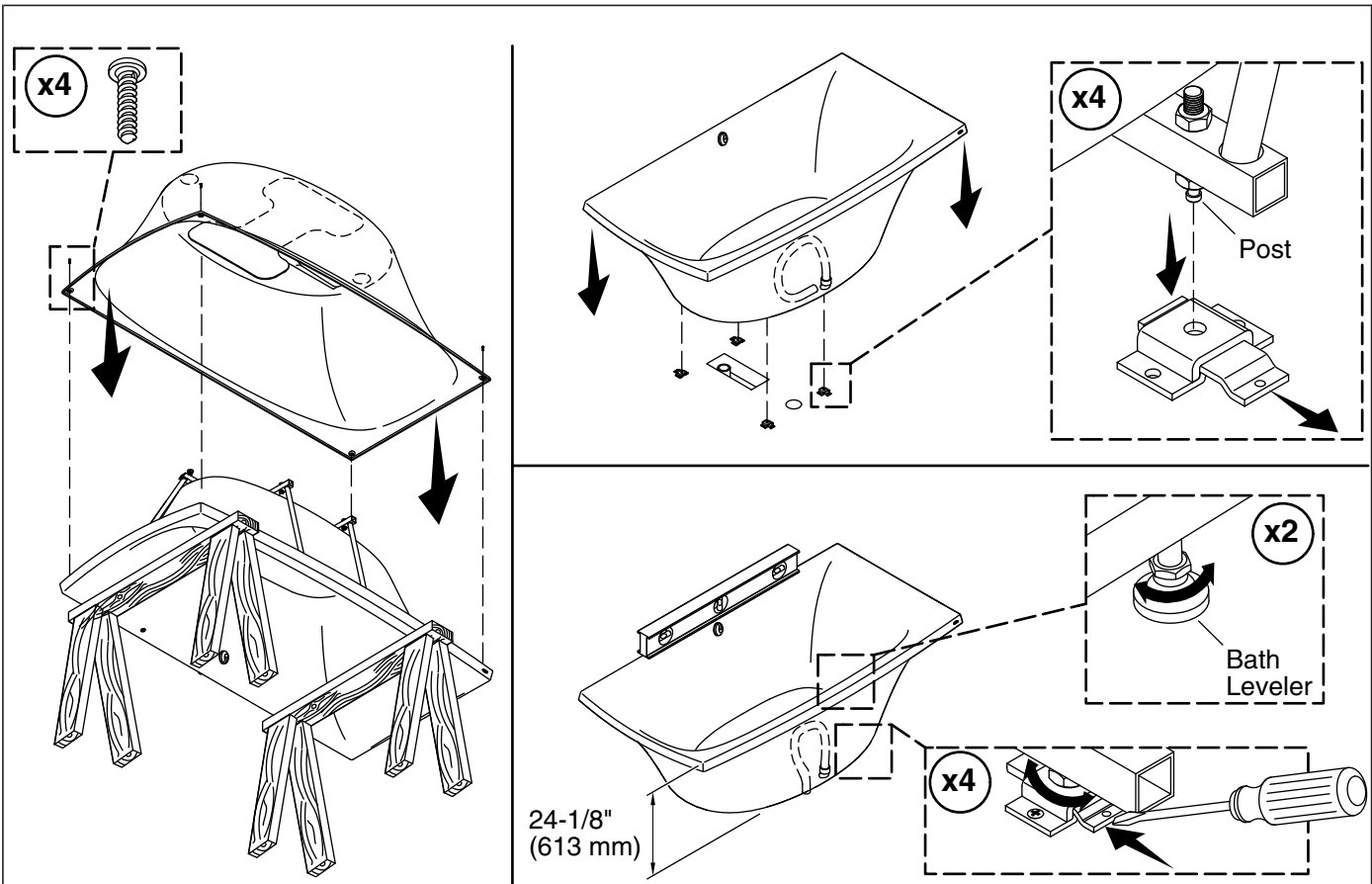


WARNING: Risk of electric shock. Make sure the power has been disconnected before performing the following procedures.



WARNING: Risk of electric shock. Connect the blower motor to a properly grounded, grounding-type Ground-Fault Circuit-Interrupter (GFCI) or Residual Current Device (RCD). This will provide additional protection against line-to-ground shock hazard.

- Locate and secure each supplied junction box a minimum of 1-1/2" (38 mm) above the subfloor.
- The bath controls and system have been prewired at the factory. A qualified electrician should make a routine service connection to the junction box.
- Connect service to the junction box. The 60 Hz model junction box contains black and white wires and a ground lug.
- A 120 V, 15 A dedicated circuit is required. Provide a Class A GFCI or RCD.
- Provide a separate equipment grounding conductor for the inside ground or ground lug. The conductor **must not** be connected to any current-carrying conductor.
- Bond in accordance with national and local codes.



10. Install the Bath

- Turn the bath shell upside down on the saw horses.
- Make sure all the drain connections are secure.
- Cut the cable ties securing the PVC blower hose and keypad cable.
- Position the shroud on the bath so the edges of the shroud rest inside the bath shell. Make sure the blower hose and keypad cable are accessible from the bottom of the shroud.
- Secure the shroud to the bath with a screw at each corner. **Do not overtighten.**
- Make sure the foot clips are not in the locked position.
- Lift the bath close to the installation location.
- Cement the PVC blower hose connection to the PVC piping.
- Route the keypad cable under the floor and to the blower motor area.
- Carefully lift the bath into position while feeding the PVC pipe into the hole in the floor.
- Make sure the posts on the bath frame fit into the four foot clips, and the drain fits into the drain pipe.
- Check for solid fit (no rocking) and a 24-1/8" (613 mm) rim corner height to the finished floor.
- Lift and move the bath if needed, and adjust the four posts as needed to ensure a distance of 24-1/8" (613 mm) from the finished floor to the top of each bath rim corner. Adjust the levelers as needed. Make sure the levelers and bath feet are tight.
- Press down on the bath corners with your hand to make sure the bath does not move up and down, or side to side. If the bath moves check that all four posts are inside the foot clips, and check that the floor is level.

Install the Bath (cont.)

- Use a flat-bladed screwdriver to push in the four locking plates to lock the bath feet in place.
- At the blower end, cut off any excess PVC piping and connect the PVC pipe to the blower pipe.
- Connect the keypad cable to the blower motor.

11. Complete the Installation

Finish the Installation

- Install the faucet trim.
- Make the final drain connection.

Test Run the Bath

- Fill the bath to a level at least 4" (102 mm) above the top of the highest airjet.
- Turn off the bath and let sit for five minutes. Check all bath piping connections for leaks. Check for leakage along the front, sides, and back of the bath.
- Turn on the blower and run for 5 minutes. Check for proper operation and function.

Clean-up After Installation

- When cleaning up after installation, do not use abrasive cleansers, as they may scratch and dull the bath surface. Use warm water and a liquid detergent to clean the surface of the bath.

Important Safety Instructions

READ AND FOLLOW ALL INSTRUCTIONS

SAVE THESE INSTRUCTIONS

INSTRUCTIONS PERTAINING TO A RISK OF FIRE, ELECTRIC SHOCK, OR INJURY TO PERSONS



WARNING: When using electrical products, basic precautions should always be followed, including the following:



DANGER: Risk of accidental injury or drowning. To reduce the risk of injury, do not permit children to use this unit unless they are closely supervised at all times.



WARNING: Risk of personal injury. To avoid injury, exercise care when entering or exiting the bath.



WARNING: Risk of electric shock. Do not permit electric appliances (such as a hair dryer, lamp, telephone, radio, or television) within 5' (1.5 m) of this bath.



WARNING: The use of alcohol, drugs, or medication can greatly increase the risk of fatal hyperthermia. Prolonged immersion in hot water may induce hyperthermia. Hyperthermia occurs when the internal temperature of the body reaches a level several degrees above the normal body temperature of 98.6°F (37°C). The symptoms of hyperthermia include an increase in the internal temperature of the body, dizziness, lethargy, drowsiness, and fainting. The effects of hyperthermia include: (a) failure to perceive heat, (b) failure to recognize the need to exit the bath, (c) unawareness of impending hazard, (d) fetal damage in pregnant women, (e) physical inability to exit the bath, and (f) unconsciousness resulting in the danger of drowning.



WARNING: Risk of fetal injury. Pregnant or possibly pregnant women should consult a physician before using the bath.

Important Safety Instructions (cont.)



WARNING: Risk of hyperthermia or drowning. Do not use the bath immediately following strenuous exercise.



WARNING: Risk of hyperthermia or drowning. Water temperature in excess of 100°F (38°C) may cause injury. Test and adjust the water temperature before use.



WARNING: Risk of personal injury. Never drop or insert any object into any opening.

Use this bath only for its intended purpose as described in this guide. Do not use attachments not recommended by Kohler Co.

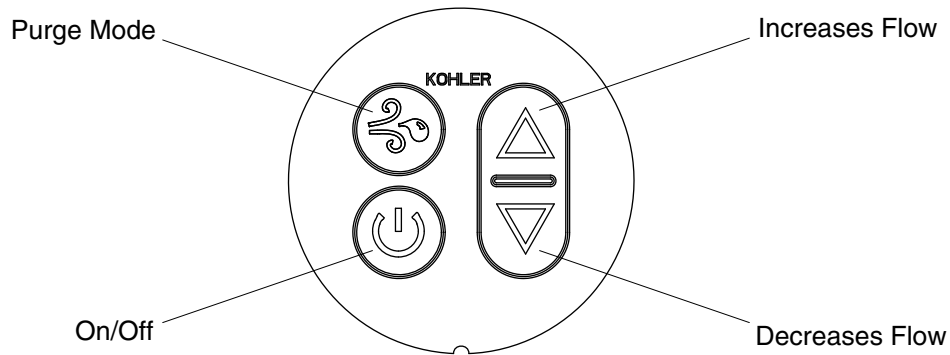
The bath must be connected only to a supply circuit that is protected by a Ground-Fault Circuit-Interrupter (GFCI)*. Such a GFCI should be provided by the installer and should be tested on a routine basis. To test the GFCI, press the test button. The GFCI should interrupt power. Press the reset button. Power should be restored. If the GFCI fails to operate in this manner, the GFCI is defective. If the GFCI interrupts power to the bath without the test button being pressed, a ground current is flowing, indicating the possibility of an electric shock. Do not use this bath. Disconnect the bath and have the problem corrected by a qualified service representative before using.

Flush your whirlpool system twice a month or more depending upon usage, as described in the "Flush the System" section of this guide.

Repeated use of personal care products containing oils can damage plastic whirlpool components. Avoid using bath oils.

Whirlpool hydro-massage action can cause even a small amount of bubble bath, bath soap, shampoo, or bath oil to foam excessively. For this reason, please do not use these products during whirlpool operation.

* Outside North America, this device may be known as a Residual Current Device (RCD).



Operating Instructions

IMPORTANT! This product contains an automatic water purge mode that turns the blower on for 2 minutes approximately 30 minutes after the unit is turned off and drained.

NOTE: The water temperature in the bath should never exceed 104°F (40°C).

- Close the drain, then fill the bath at least 4" (102 mm) above the top of the highest airjet.
- Use your hand to test the water temperature for comfort and safety, then carefully enter the bath.
- Press the [On/Off] icon to turn the blower on at medium speed.
- Press the [Up] or [Down] arrow icons to increase or decrease the air flow.

NOTE: The blower will turn off automatically following 20 minutes of operation, and can be immediately restarted if desired.

- Press the [On/Off] icon a second time to turn off the blower.
- Carefully exit and drain the bath.
- Press the [Purge Mode] icon to blow remaining water from the air channels. The blower will turn on for 2 minutes and then turn off automatically.

NOTE: About 30 minutes after the blower motor stops, a 2 minute purge mode will automatically start.

NOTE: If the bath does not function properly, refer to the "Troubleshooting" section.

Care and Cleaning

For best results, keep the following in mind when caring for your KOHLER bath with airjets:

- Always test your cleaning solution on an inconspicuous area before applying to the entire surface.
- Wipe surfaces clean and rinse completely with water immediately after applying cleaner. Rinse and dry any overspray that lands on nearby surfaces.
- Do not allow cleaners to soak on surfaces.
- Use a soft, dampened sponge or cloth. Never use an abrasive material such as a brush or scouring pad to clean surfaces.
- The ideal cleaning technique is to rinse thoroughly and blot dry any water from the surface after each use.
- Use a soft nylon brush on slip-resistant surfaces. Be sure to use a water-soluble cleaner (dissolves 100% in water).
- **Do not use powdered cleaners unless the cleaner is fully dissolved in water.** Solid substances can block the airjets.

Care and Cleaning (cont.)

- **Do not use full strength bleach or ammonia cleaning solutions.** Chemically active cleaning solutions can damage the surface.
- **Do not use abrasive cleansers or solvents on airjet surfaces.** Abrasive cleaners and solvents can damage the airjet surface.

Maintaining the Airjets

- If cleaning the airjets is necessary due to hard water deposits, wet a soft, non-abrasive cloth with white vinegar and wipe the plugged airjet holes. Immediately rinse the area with clean water to avoid long-term exposure of the vinegar to the airjet surface.
- Fill the bath with water to the top row of airjets. Drain the bath and press the purge button.

Cleaning Your User Keypad and Remote Control

- Use a soft cloth to wipe the keypad and remote control after each use. If the surface becomes dirty, use a non-abrasive soap and warm water to clean.

For detailed cleaning information and products to consider, visit www.kohler.com/clean. To order Care & Cleaning information, call 1-800-456-4537.

Troubleshooting

NOTICE: This section is for general aid only. A Kohler Co. Authorized Service Representative or qualified electrician should correct any electrical problems. For warranty service, call 1-800-4KOHLER from within the USA and Canada, or 001-800-456-4537 from within Mexico.

NOTE: The product model number is printed on a label on the blower side of the bath.

NOTE: For service parts information, visit your product page at www.kohler.com/serviceparts.

Symptoms	Probable Causes	Recommended Action
1. Blower turns on by itself after the bath has been drained.	A. Normal operation. Automatic purge mode is working as designed.	A. No action is required. Automatic purge mode runs for 2 minutes 30 minutes after the bath is drained.
2. Blower turns off by itself after running for 2 minutes.	A. The Purge Mode icon was pressed instead of the On/Off icon.	A. Press the On/Off icon on the keypad. See the "Operating Instructions" section.
3. Blower motor will not start.	A. Power cord from blower motor is loose, disconnected, or damaged.	A. Check wiring for proper connections.
	B. User keypad cable loose or damaged.	B. Check wire connections. If necessary, replace user keypad cable.
	C. User keypad does not work.	C. Replace user keypad.
	D. Blower motor does not work.	D. Replace the blower motor.
4. Blower motor stops running and will not immediately restart.	A. Blower motor overheated and protection device activated.	A. Check for blockage at blower air intake. Remove blockage and allow motor to cool.
5. Blower motor starts, some but not all airjets are working.	A. Blower motor speed is too low.	A. Increase speed.
	B. Blower motor inlet is blocked.	B. Clean blower motor inlet.
	C. Blower motor does not work.	C. Replace the blower motor.
	D. Blower motor discharge is blocked.	D. Clear blockage.
	E. Airjets are clogged.	E. Use a small between-the-teeth dental brush and white vinegar. Dip the brush in the vinegar, brush the hole, rinse the brush in clean water, and then use the wet rinsed brush to rinse the hole.

Troubleshooting (cont.)

Symptoms	Probable Causes	Recommended Action
6. Blower motor runs but no air bubbles are observed.	A. Blower motor inlet is blocked.	A. Clean blower motor inlet.
	B. Airjets are clogged.	B. Use a small between-the-teeth dental brush and white vinegar. Dip the brush in the vinegar, brush the hole, rinse the brush in clean water, and then use the wet rinsed brush to rinse the hole.
	C. Blower motor does not work.	C. Replace the blower motor.
7. Blower motor operates, air bubbles are observed, but speed feature does not work.	A. Blower motor inlet is blocked.	A. Clean blower motor inlet.
	B. Loose, disconnected, or damaged wiring harness.	B. Check wiring for proper connections. Replace the wiring harness if necessary.
	C. User keypad does not work.	C. Replace the user keypad.
	D. Blower motor does not work.	D. Replace the blower motor.
8. Blower motor does not turn off when the On/Off button is pressed.	A. User keypad does not work.	A. Replace the user keypad.
	B. Loose, disconnected, or damaged wiring harness.	B. Check wiring for proper connections. Replace the wiring harness if necessary.
	C. Control does not work.	C. Replace the control.
9. Purge mode does not work.	A. User keypad does not work.	A. Replace the user keypad.
	B. Control does not work.	B. Replace the control.
10. Bath does not purge automatically.	A. Blower does not work.	A. Replace the blower.

Warranty

ONE-YEAR LIMITED WARRANTY

KOHLER plumbing products are warranted to be free of defects in material and workmanship for one year from date of installation.

Kohler Co. will, at its election, repair, replace or make appropriate adjustment where Kohler Co. inspection discloses any such defects occurring in normal usage within one (1) year after installation. Kohler Co. is not responsible for removal or installation costs. **Use of in-tank toilet cleaners will void the warranty.**

To obtain warranty service contact Kohler Co. either through your Dealer, Plumbing Contractor, Home Center or E-tailer, or by writing Kohler Co., Attn.: Customer Care Center, 444 Highland Drive, Kohler, WI 53044, USA, or by calling 1-800-4-KOHLER (1-800-456-4537) from within the USA and Canada, and 001-800-456-4537 from within Mexico, or visit www.kohler.com within the USA, www.ca.kohler.com from within Canada, or www.mx.kohler.com in Mexico.

IMPLIED WARRANTIES INCLUDING THAT OF MERCHANTABILITY AND FITNESS FOR A PARTICULAR PURPOSE ARE EXPRESSLY LIMITED IN DURATION TO THE DURATION OF THIS WARRANTY. KOHLER CO. AND/OR SELLER DISCLAIM ANY LIABILITY FOR SPECIAL, INCIDENTAL OR CONSEQUENTIAL DAMAGES. Some states/provinces do not allow limitations on how long an implied warranty lasts, or the exclusion or limitation of special, incidental or consequential damages, so these limitations and exclusions may not apply to you. This warranty gives you specific legal rights. You may also have other rights which vary from state/province to state/province.

This is Kohler Co.'s exclusive written warranty.

Warranty

For Mexico

KOHLER CO.

It is recommended that at the time of purchase, you verify that all accessories and components are complete in this package.

This Kohler product is warranted to be free of defects in material and workmanship for one (1) year from the date of purchase as shown on the invoice or receipt.

1. Kohler Co. will only service its commercialized products through its authorized distributors.
2. To obtain warranty service, please present the invoice and corresponding warranty.
3. Through its authorized distributors, Kohler Co. promises to repair the defective product or provide a new replacement or an equivalent model (in those cases that the model has been discontinued) when the product is beyond repair, without any charge to the consumer.
4. The time of repair will not exceed six (6) weeks commencing on the date the product is received.
5. It is recommended that the consumer save the invoice or receipt as additional protection, as it may substitute the warranty in the case that there is a discrepancy in the validity of the warranty.

EXCEPTIONS AND RESTRICTIONS

The Warranty will not be valid in the following cases:

1. When the product is not operated in accordance with the instructions concerning use and operation set forth in the owner's manual or installation instructions, and when the recommendations and warnings included are not observed.
2. When the product has been modified or dismantled partially or totally; or has been used in a negligent fashion and as a consequence has suffered damages attributable to the consumer, individual, or hardware not authorized by Kohler Co.
3. This warranty does not cover the damages as a result of disaster such as fire or acts of God, including flooding, earthquake, or electric storms, etc. To obtain a list of distributors in your area where you can exercise your rights under this warranty, please call 001-800-456-4537.

KOHLER CO., KOHLER, WI 53044 U.S.A.

IMPORTER:

COMERCIALIZADORA INTERCERAMIC, S.A. DE C.V.

AV. CARLOS PACHECO NO. 7200, COL. MADERA 65

CHIHUAHUA, CHIH., MEXICO C.P. 31060

R.F.C. CIN141022IE9

TEL: 52 (614) 429-11-11

IMPORTER:

GAMA MATERIALES Y ACEROS, S.A. DE C.V.

AVE LOS ANGELES NO. 1800

COL VALLE DEL NOGALAR, SAN NICOLAS DE LOS GARZA

N.L. MEXICO

R.F.C. GMA901220U11

TEL: 81-1160-5500

Guide d'installation et d'entretien

Baignoire à jets d'air

Instructions d'installation



AVERTISSEMENT: Lors de l'utilisation de produits électriques, toujours observer les précautions de base, notamment:



AVERTISSEMENT: Risque de choc électrique. Raccorder uniquement à un circuit protégé par un disjoncteur de fuite de terre (GFCI)*.

Installer de façon à permettre un accès pour l'entretien.

Un connecteur à pression pour câbles marqué "Earth/Ground" (Terre/Masse) est fourni dans le compartiment de câblage. Afin de réduire les risques de choc électrique, raccorder ce connecteur à une borne de terre du panneau de service électrique ou du panneau d'alimentation avec un câble en cuivre ayant la même dimension que le conducteur du circuit qui alimente cet équipement.

Des connecteurs à pression par câble sont fournis sur l'extérieur de la boîte de jonction ou de la commande incluse dans cet appareil afin de permettre la connexion d'un conducteur de mise à la terre entre cet appareil et toutes les autres surfaces de métal avoisinantes, tel que requis par les normes locales.

Une borne de mise à la terre est incluse dans le boîtier du câblage sur place. Pour réduire les risques de choc électrique, cette borne doit être raccordée à un dispositif de mise à la terre fourni dans le panneau d'alimentation électrique, avec un conducteur ayant le même calibre que celui des conducteurs du circuit qui alimente cet équipement.

Une mise à la terre est requise. L'appareil doit être installé par un représentant qualifié et doit être mis à la terre.



AVERTISSEMENT: Risque de blessures ou d'endommagement du matériel. Lire toutes les instructions avec attention avant de commencer l'installation.



AVERTISSEMENT: Risque de choc électrique. Un électricien qualifié doit effectuer toutes les connexions électriques.



AVERTISSEMENT: Risque de choc électrique. Déconnecter l'alimentation électrique avant d'effectuer un entretien.

AVIS: Respecter tous les codes de plomberie et électriques locaux. Installer cet appareil conformément au Code canadien de l'électricité, Partie 1.

* Hors de l'Amérique du Nord, ce dispositif peut être connu sous le nom de dispositif à courant résiduel (RCD).

Information sur le produit

Installations électriques requises

L'installation doit comprendre un disjoncteur de fuite de terre (GFCI) ou un dispositif à courant résiduel (RCD) de classe A. Le GFCI ou le RCD protège contre les dangers d'électrocution par une tension phase-terre. **Utiliser une alimentation de 120 V, 15 A, 50/60 Hz dédiée à la baignoire avec jets d'air.**

Le régime électrique nominal de la baignoire est imprimé sur une étiquette placée à proximité du moteur du souffleur. Les conditions électriques requises sont également indiquées dans le guide d'installation accompagnant la baignoire dans la section Information sur le produit.

Si le câble d'alimentation du souffleur est endommagé, il doit être remplacé par le fabricant, son représentant

Information sur le produit (cont.)

ou des professionnels qualifiés dans ce domaine afin d'éviter tout danger.

Notices du produit



AVERTISSEMENT: Risque de blessures ou d'endommagement matériel. Des modifications non approuvées pourraient provoquer un fonctionnement dangereux ou affecter la performance de la baignoire. Ne pas changer l'emplacement du moteur du souffleur et ne pas effectuer d'autres modifications sur le système de baignoire sans le kit ou sans autres instructions publiées, vu que ceci pourrait perturber la performance et ne plus assurer le fonctionnement sans danger du produit. Kohler Co. décline toute responsabilité sous sa garantie et pour toutes blessures ou tous dommages causés par de telles modifications non autorisées. Se reporter à la section "Installer le moteur du souffleur" en ce qui concerne les conditions requises pour le déplacement du moteur du souffleur et les informations sur l'installation.

AVIS: Ce produit comprend un mode de purge d'eau automatique qui met le souffleur en marche pendant 2 minutes, 30 minutes environ après l'arrêt et la vidange du dispositif.

AVIS: Maintenir l'espace autour du moteur du souffleur propre et exempt de sciure, de matériau isolant, de saleté, ou d'autres petits débris volatiles. De tels matériaux pourraient boucher l'orifice d'entrée du moteur du souffleur et réduire le débit d'air à travers le souffleur.

Connexions et accès pour l'entretien

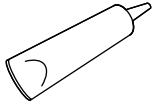
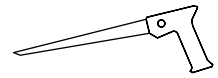
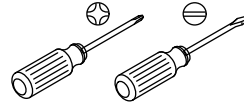
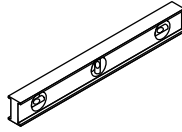
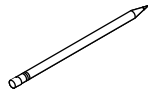
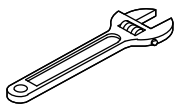
Avant d'effectuer l'installation, s'assurer d'avoir un accès adéquat aux connexions finales.

AVIS: Fournir un large espace non restreint pour pouvoir accéder au souffleur. Avant l'installation, s'assurer qu'il est possible d'accéder au moteur du souffleur et aux connexions finales de manière adéquate. Si le moteur du souffleur est installé dans un espace fermé, un panneau d'accès au moteur du souffleur est requis. Ce panneau doit avoir une largeur de 18" (457 mm) et une hauteur de 14" (356 mm) minimum.

Caractéristiques

Les composants assemblés en usine incluent un moteur de souffleur, un faisceau d'air, une commande, un clapet de non retour, des valves papillon, des lumières de chromothérapie (certains modèles), des faisceaux électriques, et un clavier utilisateur illuminé. Aucun montage n'est nécessaire, sauf celui des connexions de câblage électrique et des raccords de la plomberie.

Outils et matériel



Mastic
d'étanchéité



Plus:

- Outils et matériaux classiques
- Toile de protection
- Dispositifs d'attache (selon les besoins)
- Chiffons
- Chevalets
- Scie cylindrique

Avant de commencer

Information sur le souffleur

AVIS: Repositionner le moteur souffleur et le clapet de non-retour ensemble. Ne pas déplacer l'un sans l'autre.

- Tous les matériaux nécessaires au déplacement du moteur du souffleur doivent être fournis par l'installateur.
- Outils et matériel supplémentaires nécessaires pour le déplacement du moteur du souffleur:
 - Pincés d'électricien
 - Tournevis assortis
 - Clé à molette
 - Perceuse et mèches pour installer les dispositifs de fixation du souffleur.
 - Un câble à gaine 18 AWG non-métallique, deux conducteurs avec terre, et avec clips de support, tel que requis.
 - Un boîtier de jonction électrique 4" (102 mm) x 2" (51 mm) avec couvercle, joint statique, et vis de fixation
 - Trois serre-câbles - l'un d'entre eux doit s'adapter sur le couvercle du moteur du souffleur avec les filets National Pipe Thread (NPT) standard. Les deux autres doivent s'adapter aux orifices du nouveau boîtier de jonction.
 - Six connecteurs de fils (coinces à câble ou dispositifs équivalents)
 - PVC de 1-1/2" ou autre tube rigide ou flexible avec raccords, unions, ciment PVC (ou méthode de fixation équivalente) et des clips de support, tels que requis
 - Quatre dispositifs d'attache (comme des vis à bois à tête plate ou des dispositifs d'ancrage en béton) pour fixer le moteur du souffleur
 - Un fil de fusion de calibre 8 en cuivre solide, 36" (914 mm)

Information sur la baignoire

IMPORTANT! Pour assurer une installation réussie, il est important que la baignoire soit installée sur un sol fini de niveau.

IMPORTANT! Ce produit nécessite un drain K-7219 pour une installation appropriée.

- Respecter tous les codes de plomberie et de bâtiment locaux.

Avant de commencer (cont.)

- Déballer et inspecter la baignoire pour détecter tout dommage. Remettre la baignoire dans l'emballage jusqu'à l'installation.
 - S'assurer qu'il est possible d'accéder sans difficulté à toutes les connexions de plomberie autour de la baignoire pour les entretiens ultérieurs.
 - Nous recommandons vivement que cette installation soit effectuée par un plombier professionnel ou un entrepreneur.
 - Fournir un accès pour effectuer la connexion de drain finale à partir du dessous.
 - Un minimum de deux personnes est nécessaire pour effectuer cette installation.
 - Cette baignoire est conçue pour une installation autoportante uniquement.
 - Choisir les dispositifs de fixation et une méthode de perçage en fonction du type de plancher sur lequel la baignoire sera fixée.
 - Cette baignoire est conforme à la norme CSA B45.5/IAPMO Z124. Toutes les dimensions sont nominales.
- Déplacer le souffleur et le clapet de non-retour pour l'amener aussi près que possible de la baignoire, afin d'obtenir une performance maximale. Ne pas déplacer le souffleur et le clapet de non-retour à une distance de plus de 15' (4,5 m) de la baignoire.
 - Positionner le souffleur à une distance de 1-1/2" (38 mm) au-dessus du plancher. Ne pas monter le moteur du souffleur avec sa décharge dirigée vers le haut.
 - Le moteur du souffleur doit avoir une ventilation adéquate pour le refroidissement et le débit d'air. Ne pas installer le moteur du souffleur à une distance plus proche de 1" (25 mm) du mur ou d'autres objets. Fournir un espace dégagé de 30 pieds cubes (0,8 mètres cubes) environ pour le refroidissement.
 - **Le clapet de non-retour doit être repositionné avec le moteur du souffleur.** Au nouvel emplacement, le clapet de non-retour ne doit pas être inférieur à 24" (610 mm) au-dessous du rebord de la baignoire. Le clapet de non-retour doit se trouver dans un espace de 12" (305 mm) du moteur du souffleur. Le clapet de non-retour doit être orienté verticalement avec la flèche du débit dirigée vers le haut. **NE PAS repositionner le module de commande.** Le module de commande doit rester avec l'unité.
 - Utiliser un PVC de 1-1/2" ou une tuyauterie équivalente.
 - L'installation de la tuyauterie doit être conforme aux codes de plomberie et de bâtiment locaux. S'assurer que l'installation ne réduit pas le classement au feu des murs. La tuyauterie doit être supportée à des intervalles sur la longueur conformément aux codes locaux.
 - S'assurer que l'espace du moteur du souffleur est propre et exempt de poussière ou de débris.
 - Installer un panneau d'accès pour permettre un entretien du moteur du souffleur.
 - Le câble d'alimentation minimum de 18 AWG au moteur du souffleur doit être conforme à tous les codes d'électricité ou de construction applicables. S'assurer que l'installation ne réduit pas le classement au feu des murs.
 - Le cordon d'alimentation doit être supporté à des intervalles sur sa longueur, conformément aux codes locaux. Les cordons d'alimentation ne doivent pas reposer sur des surfaces ou sur des planchers susceptibles aux inondations.

1. Préparer le site

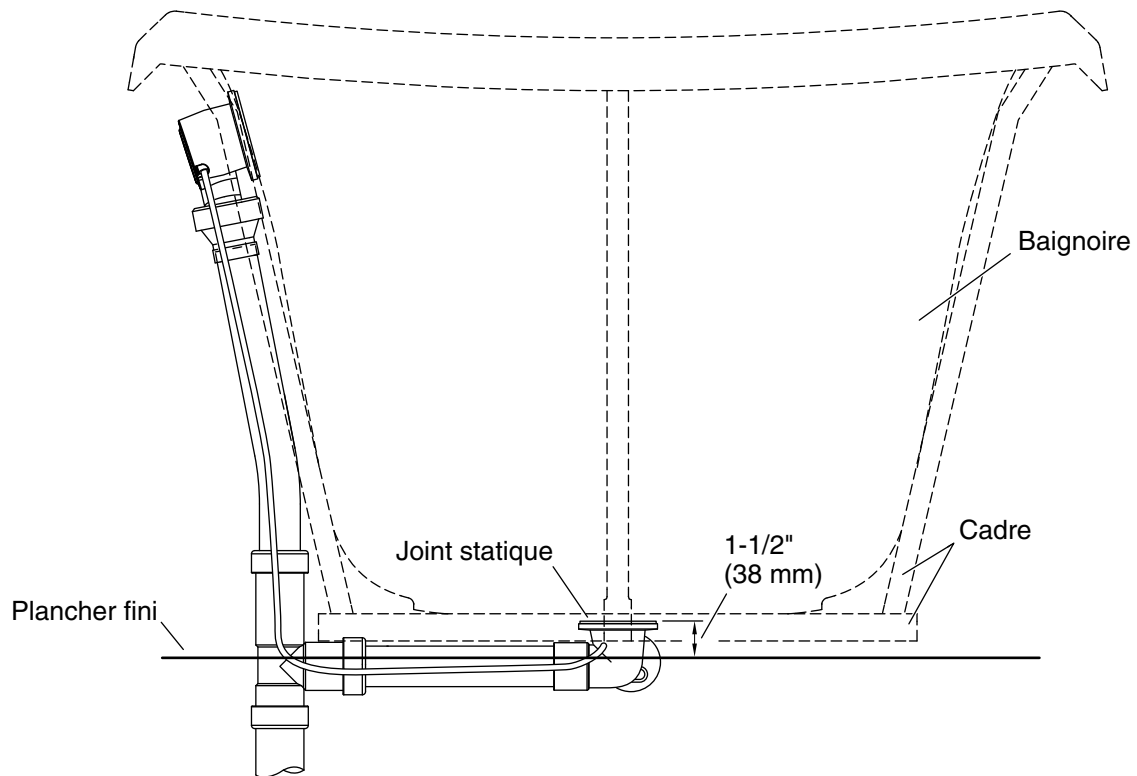
AVIS: Fournir un support de plancher adéquat.

AVIS: Mesurer le produit pour la préparation du site. Noter le **numéro de modèle** se trouvant sur le côté souffleur de la baignoire, puis visiter la page du produit sur le site www.kohler.com pour obtenir de l'information supplémentaire.

- S'assurer que le sous-plancher est nivelé.

Préparer le site (cont.)

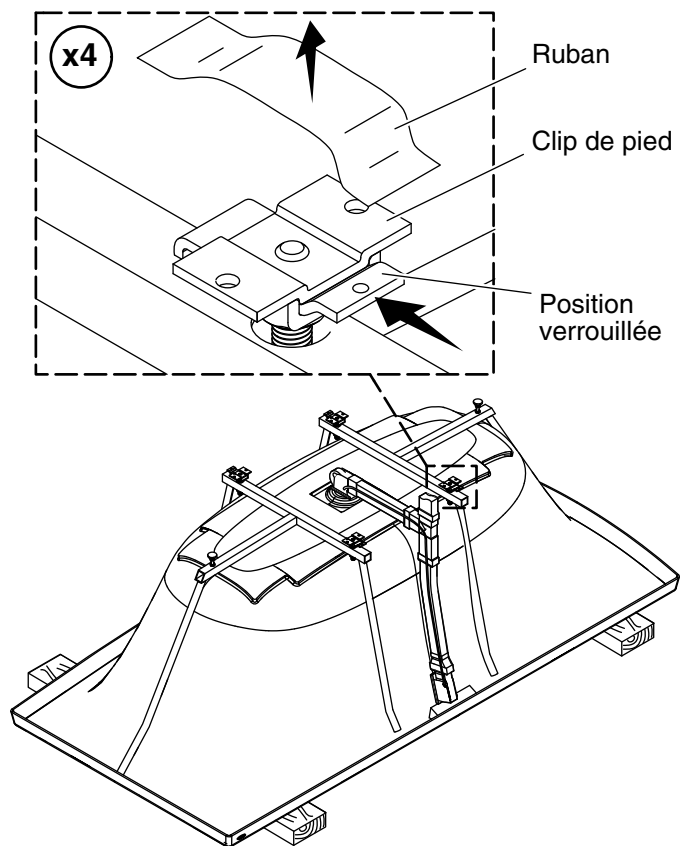
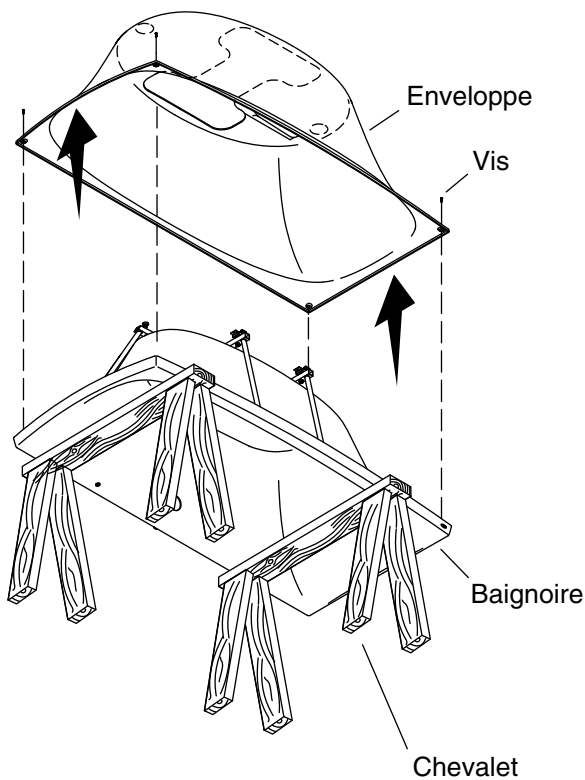
- Déterminer l'emplacement de la baignoire. Fournir un dégagement minimum de 24" (610 mm) autour du périmètre de la baignoire. Un espace supplémentaire est recommandé pour faciliter l'installation.
- Utiliser le gabarit de découpe fourni avec la baignoire pour marquer correctement les emplacements d'arrivée d'eau et du drain par rapport à l'emplacement choisi de la baignoire.
- Installer un panneau d'accès pour l'entretien du moteur du souffleur à distance.
- Préparer les voies d'acheminement pour la tuyauterie PVC de 1-1/2" et un câble de clavier qui sera acheminé sous le plancher entre le souffleur et la baignoire. Respecter tous les codes s'appliquant à la construction, à la prévention des incendies, à la plomberie et à l'électricité.
- Déterminer l'emplacement du plancher où sortira la tuyauterie PVC en provenance du souffleur, à partir du dessous du plancher, pour se connecter à la tuyauterie de la baignoire. Marquer cet emplacement sur le plancher.
- Découper les emplacements marqués de l'arrivée d'eau et du drain dans le sous-plancher avec une scie et une scie cylindrique.
- Découper le trou pour la tuyauterie PVC du souffleur et le câble du clavier à l'emplacement marqué sur le plancher.
- Installer les conduites d'arrivées d'eau et d'écroulement.
- Installer le matériau de sol fini avant d'installer la baignoire.
- S'assurer que le sol fini est nivelé avant de procéder à l'installation de la baignoire.



2. Préparer l'emplacement du drain

IMPORTANT! Pour une installation sur un plancher en béton, il est nécessaire de fournir un dégagement pour l'ensemble du drain. Se référer au gabarit fourni avec la baignoire.

- Fournir un accès pour effectuer la connexion de drain finale à partir du dessous.
- Vérifier le dégagement adéquat du drain de manière à ce que la baignoire puisse être installée correctement.



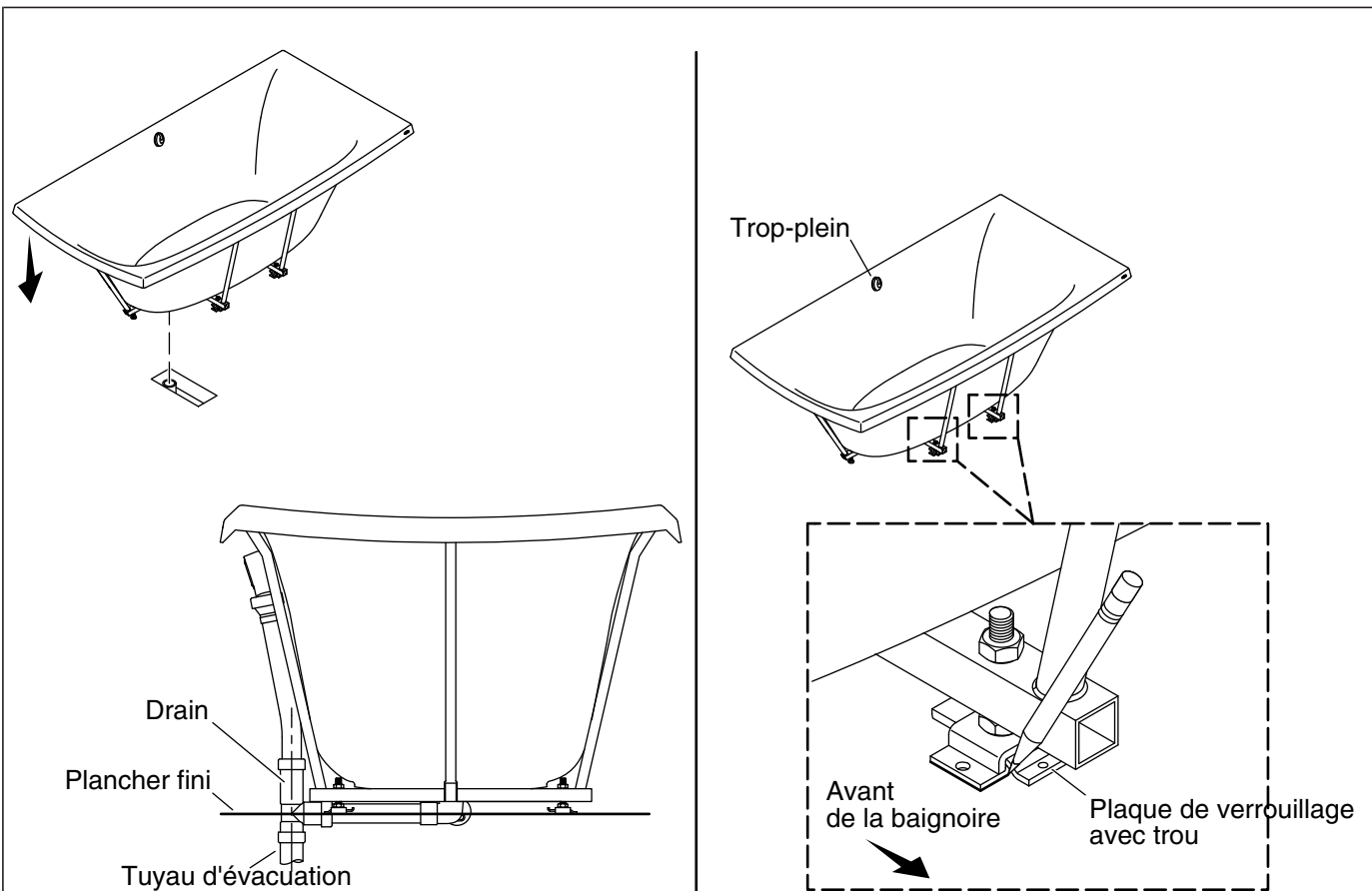
3. Préparer la baignoire

IMPORTANT! Ne pas retirer les pieds ou les vérins de calage de la baignoire.

- Mettre la baignoire à l'envers sur des chevalets.
- Retirer et conserver la vis de chaque coin de la coque de la baignoire.
- Lever l'enveloppe pour la retirer de la baignoire et la mettre de côté.

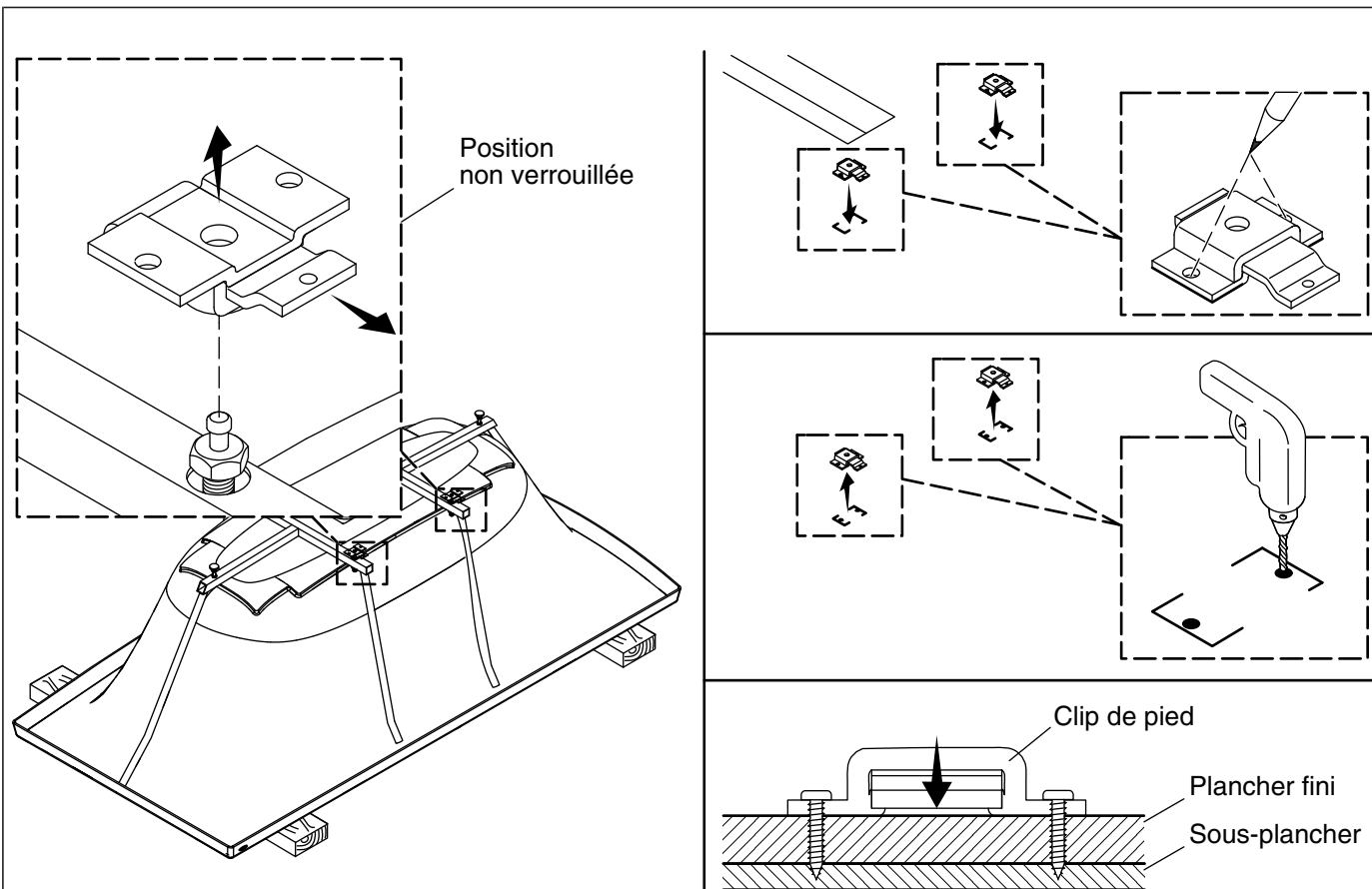
IMPORTANT! Pour une installation sur un plancher en béton, il est nécessaire de fournir un dégagement pour l'ensemble du drain. Se référer au gabarit fourni avec la baignoire.

- Installer le drain de la baignoire sur celle-ci en suivant les instructions incluses avec le drain.
- Retirer le ruban des quatre clips de pieds. S'assurer que les plaques de verrouillage sont en position verrouillée et qu'elles sont orientées vers l'extérieur de la baignoire comme sur l'illustration.



4. Positionner deux clips de pieds (sans enveloppe)

- Retourner la coque de la baignoire et la mettre en position sur le plancher fini. S'assurer que les conduites d'écoulement sont alignées sur le tuyau d'écoulement et qu'il n'y a pas d'interférence du drain avec le plancher.
- Positionner chaque plaque de verrouillage avec le trou vers l'extérieur de la baignoire.
- Tracer autour des bords des deux clips de pieds se trouvant sur l'avant de la baignoire, à l'opposé du trop-plein.
- Lever la baignoire et la tourner à l'envers sur des chevalets.

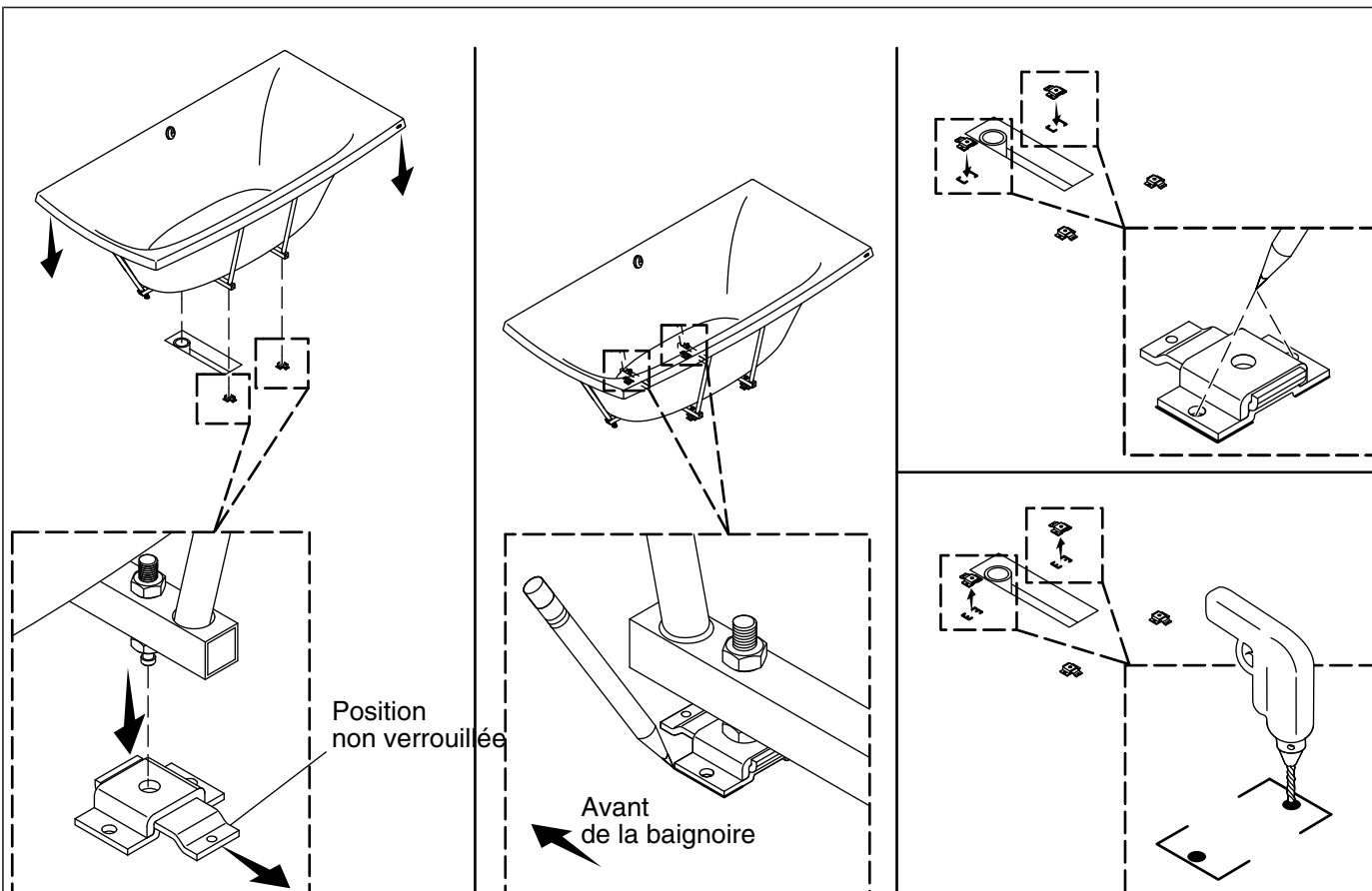


5. Fixer les deux clips de pieds en place (sans enveloppe)

- Tirer et sortir les plaques de verrouillage sur les deux clips de pieds qui ont été tracés sur le plancher et retirer les clips de pieds.
- Positionner ces clips de pieds sur les lignes tracées et marquer les quatre trous de vis.

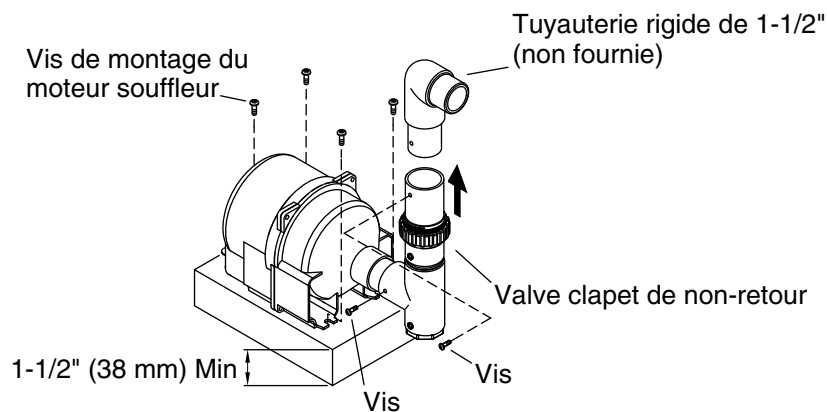
IMPORTANT! S'assurer que les clips de pieds sont à ras du plancher fini après l'installation. Si des chevilles d'ancrage qui dépassent au-dessus du plancher fini sont utilisées, créer un embrèvement du matériau du plancher fini autour des trous ou un embrèvement des chevilles d'ancrage de manière à ce que les clips de pieds soient à plat contre le plancher fini.

- Percer avec précaution quatre emplacements de trous de vis dans le plancher fini, et fixer les clips de pieds sur le plancher à l'aide de chevilles d'ancrage qui conviennent au matériau du plancher.



6. Fixer les clips de pieds restants en place (sans enveloppe)

- Repositionner la baignoire de manière à ce que les deux montants se trouvant sur le cadre de la baignoire s'adaptent dans les clips de plancher installés. **Ne pas amener les plaques de verrouillage** en position verrouillée sur les deux clips de pieds montés sur le plancher.
- S'assurer que les faces des plaques des vis de la plaque de verrouillage soient tournées vers l'extérieur de la baignoire sur chacun des deux clips de pieds restants.
- Tracer le contour des deux clips de pieds restants.
- Lever la baignoire et la mettre de côté.
- Répéter les deux étapes précédentes pour retirer, marquer, percer et fixer les deux clips de pieds restants en place.



7. Installer le moteur du souffleur

REMARQUE: Se référer à la section "Avant de commencer" pour les autres conditions requises pour le déplacement du moteur du souffleur.

- À l'emplacement du moteur du souffleur choisi, installer un bloc de 1-1/2" (38 mm) (non-fourni) de haut au-dessus du plancher pour supporter le moteur du souffleur. Choisir un bloc de longueur et de largeur suffisantes pour supporter le moteur du souffleur au complet.
- Attacher le moteur du souffleur sur le bloc de support avec les dispositifs d'attache appropriés (non fournis).
- Installer le clapet de non-retour à l'emplacement du moteur du souffleur. Le clapet de non-retour doit être orienté verticalement. S'assurer que le clapet de non-retour est orienté avec la flèche de débit dirigée dans le sens opposé du moteur du souffleur et qu'il n'est pas positionné à une distance inférieure à 24" (610 mm) au-dessous du rebord de la baignoire.
- Installer et supporter la tuyauterie PVC de 1-1/2" (non fournie) sous le plancher, entre le moteur du souffleur et l'emplacement de la baignoire. Ne pas connecter la tuyauterie PVC à l'une des extrémités avant d'en avoir reçu les instructions spécifiques.
- Au niveau de la baignoire, cimenter un raccord, ou une autre connexion pouvant être entretenue, au tuyau du souffleur spiralé.
- Confirmer que tous les trous du mur sont bien étanches et qu'ils sont conformes aux codes locaux applicables pour la construction et la prévention des incendies.

8. Effectuer les connexions électriques - É.-U. et Mexique



AVERTISSEMENT: Risque de choc électrique. Brancher l'alimentation électrique sur une prise de mise à la terre, reliée à la terre de manière adéquate et protégée par un disjoncteur de fuite de terre (GFCI) ou un dispositif différentiel à courant résiduel (RCD). Ne pas retirer les broches de mise à la terre de la fiche. Ne pas utiliser un adaptateur de mise à la terre.



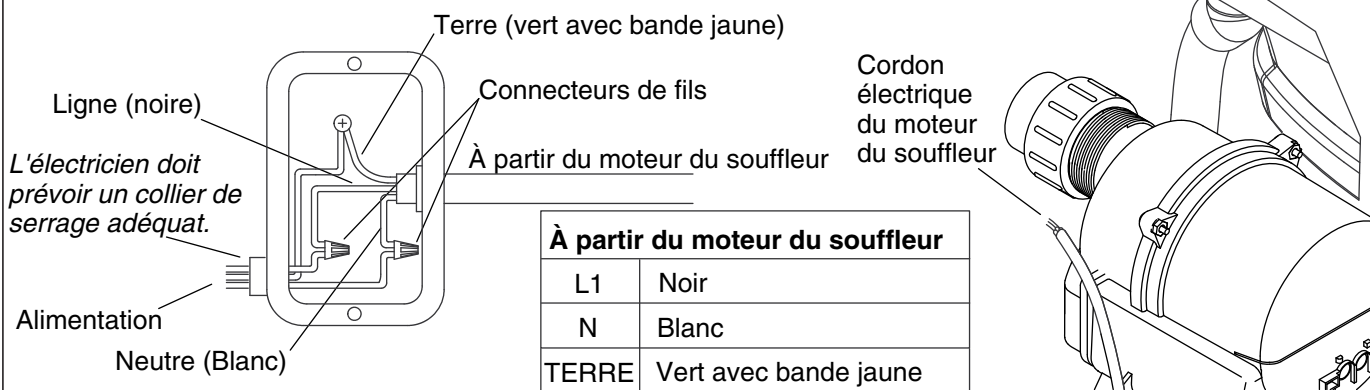
AVERTISSEMENT: Risque de choc électrique. Débrancher l'alimentation électrique avant d'effectuer les procédures suivantes.

AVIS: Le moteur du souffleur est équipé d'une prise et d'un cordon. Un électricien qualifié doit installer une prise mise à la terre de 120 V et 15 A protégée par un disjoncteur de fuite de terre (GFCI) ou un dispositif de protection à courant résiduel (RCD). Aucune autre charge ne doit être branchée sur ce circuit.

- Installer une prise électrique à l'arrière de la baignoire, à 1-1/2" (38 mm) au moins au-dessus du sous-plancher, et à proximité du cordon d'alimentation de 24" (610 mm).
- Brancher le souffleur dans la prise.

La boîte de jonction doit être câblée selon l'illustration.

Raccorder conformément aux codes nationaux et locaux.



9. Effectuer les connexions électriques – Canada

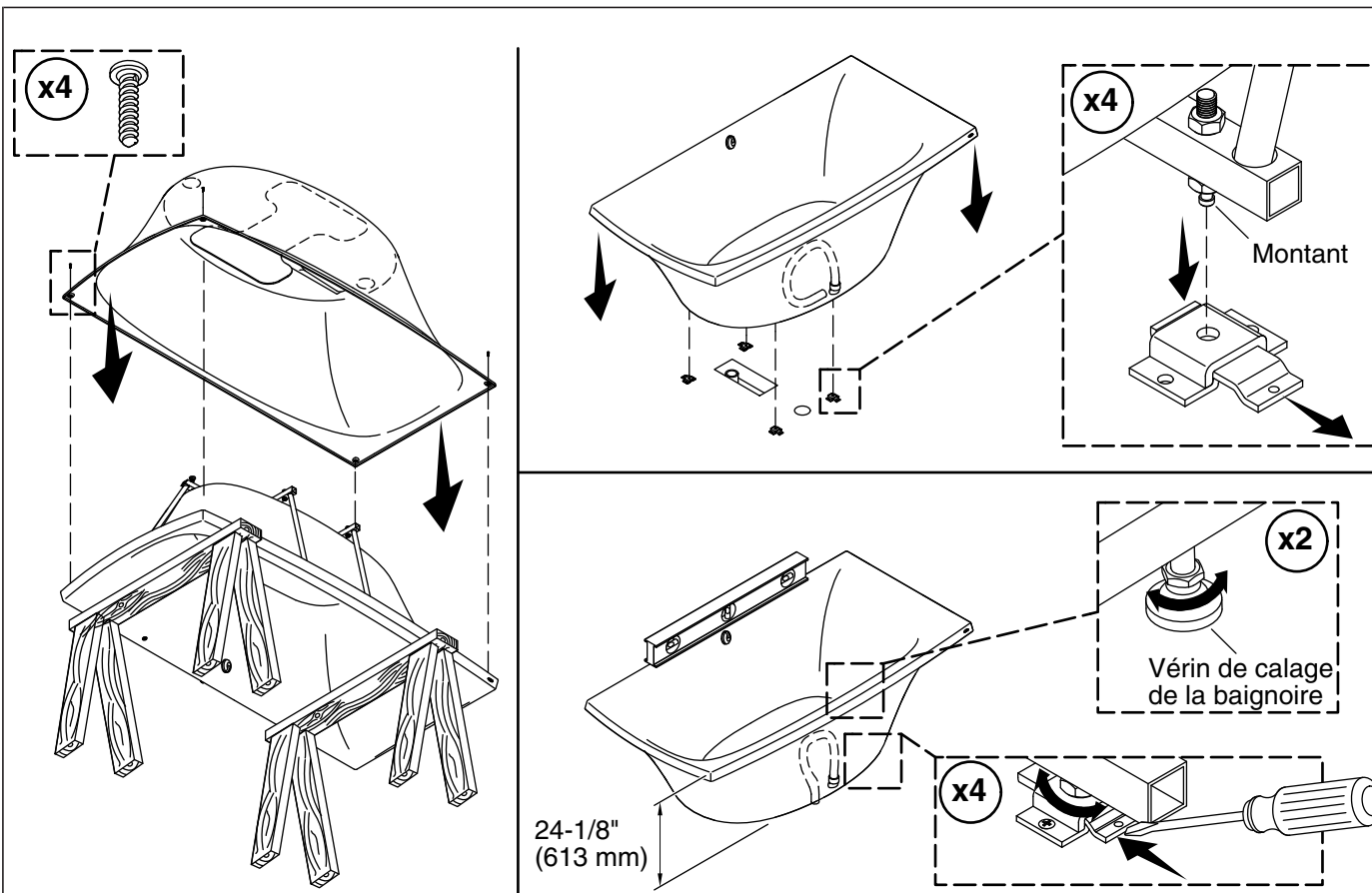


AVERTISSEMENT: Risque de choc électrique. S'assurer que l'alimentation a été débranchée avant d'effectuer les procédures suivantes.



AVERTISSEMENT: Risque de choc électrique. Connecter le moteur du souffleur à un disjoncteur de fuite de terre (GFCI) ou à un dispositif à courant résiduel (RCD) mis à la terre de manière adéquate. Ceci fournira une mesure de protection supplémentaire contre le risque d'électrocution par tension phase-terre.

- Positionner et sécuriser chaque boîte de jonction fournie à un minimum de 1-1/2" (38 mm) au-dessus du sous-plancher.
- Les commandes de la baignoire et le système ont été pré-câblés en usine. Un électricien qualifié doit faire le branchement de routine à la boîte de jonction.
- Effectuer le branchement sur la boîte de jonction. La boîte de jonction de modèle 60 Hz comprend des fils noirs et blancs et une cosse de mise à la terre.
- Un circuit dédié de 120 V, 15 A est requis. Fournir un disjoncteur de fuite de terre (GFCI) ou un dispositif à courant résiduel (RCD) de classe A.
- Prévoir un conducteur de terre séparé pour la terre intérieure ou la cosse de mise à la terre. Le conducteur **ne peut pas** être raccordé à un autre conducteur d'alimentation électrique.
- Raccorder conformément aux codes nationaux et locaux.



10. Installer la baignoire

- Tourner la coque de la baignoire à l'envers sur les chevalets.
- S'assurer que toutes les connexions du drain sont bien fixées en place.
- Couper les attache-câbles qui fixent le tuyau PVC du souffleur et le câble du clavier en place.
- Positionner l'enveloppe sur la baignoire de manière à ce que les bords de l'enveloppe de la baignoire reposent à l'intérieur de la coque de la baignoire. S'assurer que le tuyau du souffleur et le câble du clavier sont accessibles à partir du bas de l'enveloppe.
- Fixer l'enveloppe sur la baignoire avec une vis sur chaque côté. **Ne pas trop serrer.**
- S'assurer que les clips des pieds ne sont pas en position verrouillée.
- Lever la baignoire pour la rapprocher de l'emplacement d'installation.
- Cimenter la connexion du tuyau PVC du souffleur sur la tuyauterie PVC.
- Acheminer le câble du clavier sous le plancher et sur la zone du moteur du souffleur.
- Lever la baignoire avec précaution pour la positionner tout en acheminant le tuyau PVC dans le trou dans le plancher.
- S'assurer que les montants sur le cadre de la baignoire s'adaptent dans les quatre clips de pieds et que le drain s'adapte dans le tuyau d'écoulement.
- Vérifier que le tout est adapté de manière robuste (sans basculement) et qu'il y a une hauteur de coin de garniture de 24-1/8" (613 mm) jusqu'au plancher fini.
- Lever et déplacer la baignoire si nécessaire et ajuster les quatre montants selon les besoins afin d'assurer une distance de 24-1/8" (613 mm) entre le plancher fini et le haut de chaque coin de garniture de la baignoire. Ajuster les vérins de calage selon les besoins. S'assurer que les vérins de calage et que les pieds de la baignoire sont bien bloqués.

Installer la baignoire (cont.)

- Pousser sur les coins de la baignoire avec la main pour vérifier que la baignoire ne bouge pas du haut vers le bas, ou d'un côté à l'autre. Si la baignoire se déplace, vérifier que les quatre montants se trouvent à l'intérieur des clips de pieds et vérifier que le plancher est de niveau.
- Utiliser un tournevis à lame plate pour enfoncer les quatre plaques de verrouillage pour verrouiller les pieds de la baignoire en place.
- Sur le côté du souffleur, couper tout excédent de tuyauterie PVC et connecter le tuyau PVC sur le tuyau du souffleur.
- Connecter le câble du clavier au moteur du souffleur.

11. Terminer l'installation

Finir l'installation

- Installer la garniture de robinet.
- Effectuer la connexion finale du drain.

Effectuer un essai de fonctionnement de la baignoire

- Remplir la baignoire à un niveau se trouvant à au moins 4" (102 mm) au-dessus du haut du jet d'air le plus élevé.
- Arrêter la baignoire et laisser reposer pendant cinq minutes. Inspecter toutes les connexions de la tuyauterie de la baignoire pour y déceler des fuites éventuelles. Rechercher des fuites le long de l'avant et des côtés de la baignoire, et à l'arrière de celle-ci.
- Mettre le souffleur en marche et le laisser en marche pendant 5 minutes. Vérifier le bon fonctionnement.

Nettoyer après l'installation

- Lors du nettoyage après l'installation, ne pas utiliser de nettoyeurs abrasifs, vu que ceux-ci risqueraient de rayer et d'abîmer la surface de la baignoire. Utiliser de l'eau chaude et un détergent liquide pour nettoyer la surface de la baignoire.

Instructions Importantes sur la sécurité

LIRE ET SUIVRE TOUTES LES INSTRUCTIONS

CONSERVER CES INSTRUCTIONS

INSTRUCTIONS RELATIVES AUX RISQUES D'INCENDIE, D'ÉLECTROCUTION OU DE BLESSURES CORPORELLES



AVERTISSEMENT: Lors de l'utilisation de produits électriques, toujours observer les précautions de base, notamment:



DANGER: Risque de blessures ou de noyade accidentelles Afin de réduire les risques de blessures, ne jamais permettre à un enfant d'utiliser cet appareil sans surveillance étroite, en tout temps.



AVERTISSEMENT: Risque de blessures. Pour éviter les blessures corporelles, entrer et sortir avec précaution de la baignoire.



AVERTISSEMENT: Risque de choc électrique. Ne pas amener les appareils électriques (tels que des sèche-cheveux, des lampes, des téléphones, des radios ou des télévisions) dans un rayon de 5' (1,5 m) de cette baignoire.

Instructions Importantes sur la sécurité (cont.)



AVERTISSEMENT: La consommation d'alcool, de drogues ou de médicaments peut augmenter considérablement le risque fatal d'hyperthermie. Une immersion prolongée dans l'eau chaude peut provoquer une hyperthermie. Une hyperthermie a lieu lorsque la température corporelle interne atteint un niveau dépassant de plusieurs degrés la température corporelle normale de 98,6°F (37°C). Les symptômes d'hyperthermie comprennent une hausse de la température corporelle interne, les étourdissements, une léthargie, une somnolence et les évanouissements. Les effets de l'hyperthermie comprennent: (a) défaut de percevoir la chaleur, (b) défaut de s'apercevoir du besoin de sortir de la baignoire, (c) incapacité de reconnaître le danger imminent, (d) lésions au fœtus dans le cas des femmes enceintes, (e) incapacité physique de sortir de la baignoire et (f) inconscience et danger conséquent de noyade.



AVERTISSEMENT: Risque de préjudice corporel au fœtus. Les femmes enceintes ou qui pourraient être enceintes doivent consulter un médecin avant d'utiliser la baignoire.



AVERTISSEMENT: Risque d'hyperthermie ou de noyade. Ne pas utiliser la baignoire immédiatement après des exercices physiques rigoureux.



AVERTISSEMENT: Risque d'hyperthermie ou de noyade. Une température d'eau supérieure à 100°F (38°C) peut causer des traumatismes. Vérifier et régler la température de l'eau avant utilisation.



AVERTISSEMENT: Risque de blessures. Ne jamais faire tomber ou insérer un objet quelconque dans les ouvertures.

Utiliser cette baignoire uniquement aux fins décrites dans ce guide. Ne pas utiliser de dispositifs d'attache non recommandés par Kohler Co.

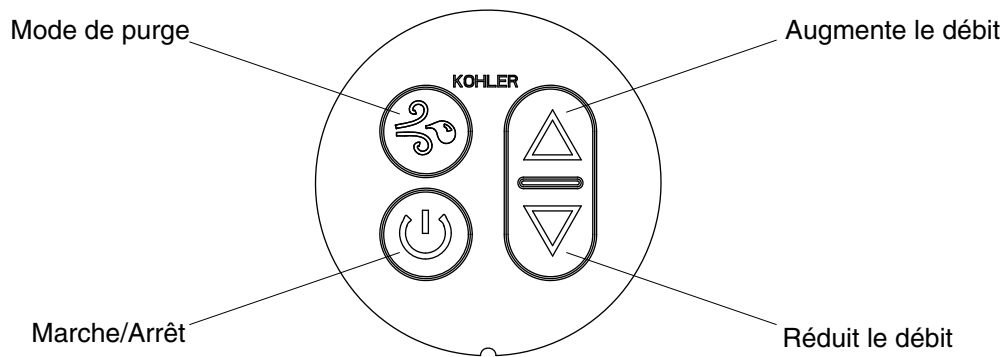
La baignoire doit être raccordée uniquement à un circuit d'alimentation qui est protégé par un disjoncteur de fuite de terre (GFCI)*. L'installateur doit fournir un disjoncteur de fuite de terre de ce type et celui-ci doit être inspecté régulièrement. Pour inspecter le disjoncteur de fuite de terre, appuyer sur le bouton d'essai. Le disjoncteur de fuite de terre doit couper le courant. Appuyer sur le bouton de réinitialisation. L'alimentation devrait avoir été restaurée. Si le disjoncteur de fuite de terre ne fonctionne pas de cette manière, le disjoncteur est défectueux. Si le disjoncteur de fuite de terre interrompt l'alimentation de courant vers la baignoire sans que l'on ait appuyé sur le bouton d'essai, ceci indique qu'un courant à la terre est en train de circuler, et, par conséquent, la possibilité d'un choc électrique. Ne pas utiliser cette baignoire. Débrancher la baignoire et demander à un technicien qualifié de résoudre le problème avant d'utiliser celle-ci.

Purger le système de la baignoire à hydromassage deux fois par mois ou plus souvent selon la fréquence d'usage, tel que décrit dans la section "Purger le système" de ce guide.

L'utilisation répétée de produits d'hygiène et de beauté contenant des huiles peut endommager les composants en plastique de la baignoire à hydromassage. Éviter d'utiliser des huiles de bain.

L'action de massage de la baignoire à hydromassage peut considérablement faire mousser les produits de bain moussant, le savon, les shampoings, ou les huiles pour le bain, même de petite quantité. Pour cette raison, veiller à ne pas utiliser ces produits pendant le fonctionnement de la baignoire à hydromassage.

* Hors de l'Amérique du Nord, ce dispositif peut être connu sous le nom de dispositif à courant résiduel (RCD).



Instructions d'utilisation

IMPORTANT! Ce produit comprend un mode de purge d'eau automatique qui met le souffleur en marche pendant 2 minutes, 30 minutes environ après l'arrêt et la vidange du dispositif.

REMARQUE: La température de l'eau de la baignoire ne doit jamais dépasser 104°F (40°C).

- Fermer le drain, puis remplir la baignoire à au moins 4" (102 mm) au-dessus du jet le plus élevé.
- Utiliser la main pour tester la température de l'eau pour le confort et la sécurité, puis entrer doucement dans la baignoire.
- Appuyer sur l'icône [Marche/Arrêt] pour mettre le souffleur en marche à une vitesse moyenne.
- Appuyer sur les icônes de flèches [vers le haut] ou [vers le bas] pour augmenter ou diminuer le débit d'air.

REMARQUE: Le souffleur s'éteint automatiquement au bout de 20 minutes de fonctionnement, et il peut être redémarré immédiatement si souhaité.

- Appuyer une deuxième fois sur l'icône [Marche/Arrêt] pour arrêter le souffleur.
- Sortir de la baignoire avec précaution et vider celle-ci.
- Appuyer sur l'icône [Mode Purge] pour souffler le reste d'eau hors des conduits d'air. Le souffleur se met en marche pendant 2 minutes, puis il s'arrête automatiquement.

REMARQUE: Au bout de 30 minutes environ après l'arrêt du moteur du souffleur, un mode de purge de 2 minutes se met en marche automatiquement.

REMARQUE: Si la baignoire ne fonctionne pas correctement, se référer à la section "Dépannage".

Entretien et nettoyage

Pour obtenir les meilleurs résultats possibles, tenir compte de ce qui suit lors de l'entretien de votre produit KOHLER avec jets d'air:

- Toujours tester la solution de nettoyage sur une surface non visible avant de l'appliquer sur l'ensemble de la surface.
- Essuyer les surfaces et rincer complètement avec de l'eau immédiatement après l'application du nettoyant. Rincer et sécher tout éclaboussement sur les surfaces avoisinantes.
- Ne pas laisser les nettoyeurs tremper sur les surfaces.
- Utiliser une éponge ou un chiffon doux et humide. Ne jamais utiliser de matériau abrasif tel qu'une brosse ou une éponge à récurer pour nettoyer les surfaces.
- La technique idéale de nettoyage est de bien rincer et de sécher toute eau de la surface après chaque usage.

Entretien et nettoyage (cont.)

- Utiliser une brosse douce en nylon sur les surfaces anti-dérapantes. S'assurer d'utiliser un nettoyant hydrosoluble (qui se dissout à 100% dans l'eau).
- **Ne pas utiliser d'agents nettoyants en poudre, sauf si ceux-ci sont complètement dilués dans l'eau.** Des substances solides peuvent obstruer les jets d'air.
- **Ne pas utiliser de solutions de nettoyage avec eau de Javel ou ammoniacale à concentration intégrale.** Les solutions de nettoyage à agents chimiques actifs peuvent endommager la surface.
- **Ne pas utiliser de nettoyants abrasifs ou de solvants sur les surfaces des jets d'air.** Les produits nettoyants abrasifs et solvants peuvent endommager la surface des jets d'air.

Maintenance des jets d'air

- S'il est nécessaire de nettoyer les jets d'air en raison de dépôts d'eau dure, mouiller un chiffon doux, non abrasif, avec du vinaigre blanc et essuyer les orifices des jets d'air bouchés. Rincer immédiatement la surface avec de l'eau propre afin d'éviter une exposition à long terme du vinaigre à la surface des jets d'air.
- Remplir la baignoire avec de l'eau jusqu'à la rangée supérieure des jets d'air. Vidanger la baignoire et appuyer sur le bouton de purge.

Nettoyer le clavier utilisateur et la télécommande

- Utiliser un chiffon doux pour essuyer le clavier et la télécommande après chaque usage. Si la surface devient sale, utiliser un savon non-abrasif et de l'eau tiède pour le nettoyage.

Pour obtenir des renseignements détaillés sur le nettoyage et les produits à considérer, consulter le site www.kohler.com/clean. Pour commander des renseignements sur & le nettoyage, appeler le 1-800-456-4537.

Dépannage

AVIS: Cette section est seulement destinée à une aide générale. Un représentant du service agréé Kohler Co. ou un électricien qualifié doit rectifier tous les problèmes électriques. Pour un service de garantie, appeler le 1-800-4KOHLEER à partir des É.-U. et du Canada, ou le 001-800-456-4537 à partir du Mexique.

REMARQUE: Le numéro de modèle du produit est imprimé sur une étiquette placée du côté souffleur de la baignoire.

REMARQUE: Pour tout renseignement sur les pièces de rechange, visiter la page du produit sur le site www.kohler.com/serviceparts.

Symptômes	Causes probables	Action recommandée
1. Le souffleur se met en marche de lui-même lorsque la baignoire a été vidangée.	A. Fonctionnement normal. Le mode de purge automatique fonctionne tel que prévu.	A. Aucune action n'est requise. Le mode de purge automatique fonctionne pendant 2 minutes, 30 minutes après la vidange de la baignoire.
2. Le souffleur s'arrête de lui-même après avoir fonctionné pendant 2 minutes.	A. On a appuyé sur l'icône Mode Purge au lieu de l'icône Marche/Arrêt.	A. Appuyer sur l'icône Marche/Arrêt sur le clavier utilisateur. Voir la section "Instructions d'opération".
3. Le moteur du souffleur ne démarre pas.	A. Le cordon d'alimentation en provenance du moteur du souffleur est desserré, déconnecté ou endommagé.	A. Inspecter le câblage pour vérifier que les connexions sont adéquates.
	B. Câble du clavier utilisateur desserré ou endommagé.	B. Vérifier les connexions de fils. Si nécessaire, remplacer le câble du clavier utilisateur.
	C. Le clavier utilisateur ne fonctionne pas.	C. Remplacer le clavier utilisateur.
	D. Le moteur du souffleur ne fonctionne pas.	D. Remplacer le moteur du souffleur.

Dépannage (cont.)		
Symptômes	Causes probables	Action recommandée
4. Le moteur du souffleur s'arrête de fonctionner et ne redémarre pas immédiatement.	A. Moteur de souffleur surchauffé et système de protection activé.	A. Rechercher une obstruction au niveau de l'orifice d'entrée d'air du souffleur. Éliminer l'obstruction et laisser le moteur refroidir.
5. Le moteur du souffleur démarre, mais quelques jets d'air ne fonctionnent pas.	A. La vitesse du moteur du souffleur est trop basse.	A. Augmenter la vitesse.
	B. L'orifice d'entrée du moteur du souffleur est obstrué.	B. Nettoyer l'orifice d'entrée du moteur du souffleur.
	C. Le moteur du souffleur ne fonctionne pas.	C. Remplacer le moteur du souffleur.
	D. L'orifice de sortie du moteur du souffleur est obstrué.	D. Dégager l'obstruction.
	E. Les jets d'air sont bouchés.	E. Utiliser une petite brosse de nettoyage entre les dents et du vinaigre blanc. Tremper la brosse dans le vinaigre, brosser l'orifice, rincer la brosse à l'eau propre, puis utiliser la brosse mouillée et rincée pour rincer l'orifice.
6. Le moteur du souffleur fonctionne mais aucune bulle d'air n'est observée.	A. L'orifice d'entrée du moteur du souffleur est obstrué.	A. Nettoyer l'orifice d'entrée du moteur du souffleur.
	B. Les jets d'air sont bouchés.	B. Utiliser une petite brosse de nettoyage entre les dents et du vinaigre blanc. Tremper la brosse dans le vinaigre, brosser l'orifice, rincer la brosse à l'eau propre, puis utiliser la brosse mouillée et rincée pour rincer l'orifice.
	C. Le moteur du souffleur ne fonctionne pas.	C. Remplacer le moteur du souffleur.
7. Le moteur du souffleur fonctionne, des bulles d'air sont observées, mais la commande de vitesse ne fonctionne pas.	A. L'orifice d'entrée du moteur du souffleur est obstrué.	A. Nettoyer l'orifice d'entrée du moteur du souffleur.
	B. Le faisceau de câblage est desserré, déconnecté ou endommagé.	B. Vérifier les raccordements du câblage. Remplacer le faisceau de câblage si nécessaire.
	C. Le clavier utilisateur ne fonctionne pas.	C. Remplacer le clavier utilisateur.
	D. Le moteur du souffleur ne fonctionne pas.	D. Remplacer le moteur du souffleur.
8. Le moteur du souffleur ne s'arrête pas lorsque l'on appuie sur le bouton Marche/Arrêt.	A. Le clavier utilisateur ne fonctionne pas.	A. Remplacer le clavier utilisateur.
	B. Le faisceau de câblage est desserré, déconnecté ou endommagé.	B. Vérifier les raccordements du câblage. Remplacer le faisceau de câblage si nécessaire.
	C. La commande ne fonctionne pas.	C. Remplacer la commande.
9. Le mode de purge ne fonctionne pas.	A. Le clavier utilisateur ne fonctionne pas.	A. Remplacer le clavier utilisateur.
	B. La commande ne fonctionne pas.	B. Remplacer la commande.
10. La baignoire ne se purge pas automatiquement.	A. Le souffleur ne fonctionne pas.	A. Remplacer le souffleur.

Garantie

GARANTIE LIMITÉE D'UN AN

Les produits de plomberie KOHLER sont garantis contre tout vice de matériau et de fabrication pendant un an à partir de la date de l'installation.

Si un vice est découvert au cours d'une utilisation normale, Kohler Co. choisira, à sa discrétion, la réparation, le remplacement ou la rectification appropriée après inspection desdits vices par Kohler Co. pendant un (1) an à partir de la date d'installation. Kohler Co. n'est pas responsable des frais d'enlèvement ou d'installation. **L'utilisation de nettoyeurs à l'intérieur du réservoir annule la garantie.**

Pour obtenir le service de garantie, contacter Kohler Co., par l'intermédiaire du vendeur, plombier, centre de rénovation ou revendeur par internet, ou bien par écrit à l'adresse suivante Kohler Co., Attn.: Customer Care Center, 444 Highland Drive, Kohler, WI 53044, USA, ou appeler le 1-800-4-KOHLER (1-800-456-4537) à partir des É.-U. et du Canada, et le 001-800-456-4537 à partir du Mexique, ou consulter le site www.kohler.com aux É.-U., www.ca.kohler.com à partir du Canada, ou www.mx.kohler.com au Mexique.

LES GARANTIES TACITES, Y COMPRIS CELLES DE COMMERCIALITÉ ET D'ADAPTATION À UN USAGE PARTICULIER, SONT EXPRESSÉMENT LIMITÉE À LA DURÉE DE LA PRÉSENTE GARANTIE. KOHLER CO. ET/OU LE REVENDEUR DÉCLINENT TOUTE RESPONSABILITÉ CONTRE LES DOMMAGES PARTICULIERS, ACCESSOIRES OU INDIRECTS. Certains états et provinces ne permettent pas de limite sur la durée de la garantie tacite, ni l'exclusion ou la limite des dommages particuliers, accessoires ou indirects, et, par conséquent, lesdites limites et exclusions peuvent ne pas s'appliquer à votre cas. Cette garantie vous donne des droits juridiques particuliers. Vous pouvez également avoir d'autres droits qui varient d'un état ou d'une province à l'autre.

Ceci constitue la garantie écrite exclusive de Kohler Co.

Garantie

Pour le Mexique

KOHLER CO.

Il est recommandé de s'assurer qu'il ne manque aucun accessoire ou composant dans l'emballage au moment de l'achat.

Ce produit Kohler est garanti contre tout défaut de matériel et de fabrication pour une période d'un (1) an à partir de la date d'achat tel qu'indiqué sur la facture ou le reçu de caisse.

1. Kohler Co. effectuera seulement un entretien de ses produits commercialisés à travers son réseau de distributeurs agréés.
2. Pour obtenir un service-garantie, présenter la facture et le certificat de garantie du produit correspondant.
3. Kohler Co. s'engage, par l'intermédiaire de ses distributeurs autorisés, à réparer ou à remplacer tout produit défectueux par un modèle équivalent (dans les cas où les modèles ne sont plus fabriqués) lorsque le produit ne peut pas être réparé, sans frais pour le consommateur.
4. Le temps de réparation n'excédera pas six (6) semaines à compter de la date de réception du produit.
5. Il est recommandé que le consommateur conserve la facture ou le ticket de caisse comme mesure de protection supplémentaire, car ceux-ci pourraient remplacer la garantie dans le cas d'erreur de validité de la garantie.

EXCEPTIONS ET RESTRICTIONS

La garantie perdra sa validité dans les cas suivants:

1. Lorsque le produit n'est pas utilisé conformément aux instructions d'utilisation et de fonctionnement indiquées dans le guide du propriétaire ou dans les instructions d'installation, et quand les recommandations et mises en garde ne sont pas respectées.
2. Quand le produit a été partiellement ou totalement modifié ou démonté, ou s'il a été utilisé d'une façon négligée ayant pour conséquence un endommagement causé par le consommateur, une personne ou un matériel non autorisé par Kohler Co.

Garantie (cont.)

3. Cette garantie ne couvre pas les dommages issus de catastrophes telles que les incendies ou les catastrophes naturelles, y compris les inondations, les tremblements de terre, les orages électriques, etc. Pour obtenir une liste des distributeurs dans votre région auprès desquels il est possible d'exercer ses droits dans le cadre de la présente garantie, composer le 001-800-456-4537.

KOHLER CO., KOHLER, WI 53044 U.S.A.

IMPORTATEUR:

COMERCIALIZADORA INTERCERAMIC, S.A. DE C.V.

AV. CARLOS PACHECO NO. 7200, COL. MADERA 65

CHIHUAHUA, CHIH., MEXICO C.P. 31060

R.F.C. CIN141022IE9

TÉL.: 52 (614) 429-11-11

IMPORTATEUR:

GAMA MATERIALES Y ACEROS, S.A. DE C.V.

AVE LOS ANGELES NO. 1800

COL VALLE DEL NOGALAR, SAN NICOLAS DE LOS GARZA

N.L. MEXIQUE

R.F.C. GMA901220U11

TÉL.: 81-1160-5500

Guía de instalación y cuidado

Bañera con jets de aire

Instrucciones de instalación



ADVERTENCIA: Al usar aparatos eléctricos siempre cumpla las precauciones básicas, incluidas las siguientes:



ADVERTENCIA: Riesgo de sacudidas eléctricas. Conecte solo a un circuito protegido por un interruptor de circuito con pérdida a tierra (GFCI)*.

Instale de manera que quede acceso para dar servicio.

El compartimiento de cables incluye un conector a presión marcado "Earth/Ground" (tierra). Para reducir el riesgo de una sacudida eléctrica, conecte este conector al terminal de tierra de su tablero eléctrico o al panel de suministro eléctrico con un cable de cobre del tamaño equivalente al conductor del circuito que alimenta este equipo.

Se incluyen conectores a presión en el exterior de la caja de empalmes o del control dentro de esta unidad para permitir la conexión de un conductor equipotencial entre esta unidad y todo el metal expuesto en la cercanía, lo que sea necesario para cumplir requisitos locales.

El compartimiento de cables tiene un terminal de conexión a tierra para el equipo. Para reducir el riesgo de sacudidas eléctricas, este terminal se debe conectar a la conexión a tierra provista en el panel de suministro eléctrico con un conductor del tamaño equivalente al de los conductores del circuito que alimentan este equipo.

Se requiere conexión a tierra. Un representante autorizado de servicio debe instalar esta unidad y conectarla a tierra.



ADVERTENCIA: Riesgo de lesiones personales o de daños a la propiedad. Lea atentamente todas las instrucciones antes de comenzar la instalación.



ADVERTENCIA: Riesgo de sacudidas eléctricas. Un electricista calificado debe hacer todas las conexiones eléctricas.



ADVERTENCIA: Riesgo de sacudidas eléctricas. Desconecte el suministro eléctrico antes de dar servicio.

AVISO: Cumpla todos los códigos locales de electricidad y de plomería. En Canadá, instale la unidad conforme al Código Eléctrico Canadiense, Parte 1.

*Fuera de Estados Unidos, es posible que este dispositivo se conozca como dispositivo de corriente residual (RCD, por sus siglas en inglés).

Información sobre el producto

Requisitos eléctricos

La instalación debe contar con un interruptor de circuito con pérdida a tierra (GFCI) o con un dispositivo de corriente residual (RCD) ambos de clase A. El GFCI o RCD protege contra el peligro de sacudida eléctrica de línea a tierra. Use un servicio dedicado de 120 V, 15A, 50/60 Hz para la bañera con jets de aire.

La capacidad nominal eléctrica de la bañera está impresa en una etiqueta cerca del motor soplador. También se pueden encontrar los requisitos eléctricos en la sección de información sobre el producto de la guía de instalación, que se incluye con la bañera.

Si el cable de alimentación eléctrica del soplador está dañado, debe ser reemplazado por el fabricante, por un

Información sobre el producto (cont.)

agente de servicio autorizado por el fabricante o por personas igualmente calificadas, para así evitar un peligro.

Avisos sobre el producto



ADVERTENCIA: Riesgo de lesiones personales o daños a la propiedad. Las modificaciones no autorizadas pueden causar funcionamiento peligroso o afectar el funcionamiento de la bañera. No cambie la ubicación del motor soplador, ni haga ninguna otra modificación en el sistema de la bañera si no dispone de un kit o de otras instrucciones publicadas, ya que esto podría afectar negativamente el rendimiento y el funcionamiento seguro del producto. Kohler Co. no será responsable bajo su garantía, o de ninguna otra forma, de lesiones personales o daños provocados por modificaciones no autorizadas. En la sección "Instale el motor soplador" consulte los requisitos y las recomendaciones de reubicación del motor soplador, así como la información de instalación.

AVISO: Este producto tiene un modo de purga automática de agua que enciende el soplador durante 2 minutos aproximadamente 30 minutos después de apagar y vaciar la unidad.

AVISO: Mantenga el área alrededor del motor soplador limpia y sin aserrín, material aislante, tierra u otras partículas sueltas pequeñas. Dichos materiales podrían tapan la entrada de aire al motor soplador y reducir el flujo de aire a través del soplador.

Acceso de servicio y a las conexiones

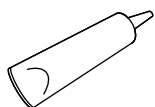
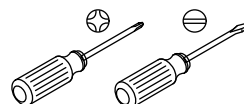
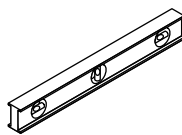
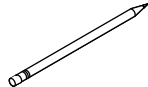
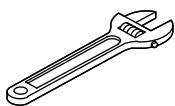
Antes de instalar, asegúrese de que el acceso a las conexiones finales sea adecuado.

AVISO: Proporcione amplio acceso de servicio sin restricciones al soplador. Antes de hacer la instalación, asegúrese de que haya acceso adecuado al motor soplador y a las conexiones finales. Si el motor soplador se instala en un área cerrada, es necesario instalar un panel de acceso al motor soplador. Este panel debe tener un mínimo de 18" (457 mm) de ancho y 14" (356 mm) de alto.

Características

Los componentes ensamblados en fábrica incluyen un motor soplador, tubería de aire, control, válvula de retención, válvulas de mariposa, luces de cromoterapia (ciertos modelos), arnés eléctrico y teclado iluminado. Además del cableado eléctrico y de las conexiones de plomería, no es necesario hacer más ensamblajes.

Herramientas y materiales



Sellador



Más:

- Herramientas y materiales convencionales
- Lona de protección
- Herrajes (según se requieran)
- Trapos
- Caballetes
- Broca tipo corona perforadora

Antes de comenzar

Información del soplador

AVISO: Cambie de lugar juntos el motor soplador y la válvula de retención. No cambie de lugar uno sin el otro.

- Todo el material necesario para cambiar la ubicación del motor soplador debe ser provisto por el instalador.
- Herramientas y materiales adicionales necesarios para cambiar de lugar el motor soplador:
 - Pinzas de electricista
 - Destornilladores surtidos
 - Llave de tuercas ajustable
 - Taladro y brocas para instalar los herrajes de montaje del soplador
 - Cable con revestimiento no metálico de calibre 18 AWG, dos conductores con conexión a tierra, con clips de soporte, según se requiera.
 - Una caja de empalmes de 4" (102 mm) x 2" (51 mm) con tapa, empaque y tornillos de fijación.
 - Tres protectores contra tirones; uno debe entrar en la tapa del motor soplador con roscas estándar National Pipe Thread (NPT). Los otros dos deben entrar en los orificios de la nueva caja de empalmes.
 - Seis conectores de cable (tuercas para cable o equivalente)
 - Tubo de 1-1/2" de PVC o de otro tipo rígido con conexiones, uniones, cemento para PVC (o método de fijación equivalente) y clips de soporte, según se requiera.
 - Cuatro herrajes (como tornillos de cabeza plana para madera o anclajes para concreto) para fijar el motor soplador
 - Cable de puesta a tierra de cobre calibre 8, 36" (914 mm).

Información de la bañera

¡IMPORTANTE! Para asegurar que la instalación sea exitosa, el piso donde se instale la bañera debe estar acabado y nivelado.

¡IMPORTANTE! Este producto requiere un desagüe K-7219 para que sea instalado correctamente.

- Cumpla todos los códigos locales de plomería y de construcción.
 - Desempaque la bañera y verifique que no esté dañada. Vuelva a colocar la bañera en la caja hasta que la vaya a instalar.
 - Asegúrese de que todas las conexiones de plomería alrededor de la bañera queden accesibles para darles mantenimiento en el futuro.
 - Recomendamos enfáticamente que un plomero o contratista profesional realice esta instalación.
 - Deje acceso para hacer la conexión final del desagüe desde abajo.
 - Para realizar esta instalación, se necesitan por lo menos dos personas.
 - Esta bañera está diseñada solamente para instalación autosoportada.
 - Seleccione los herrajes y un método para taladrar de acuerdo al tipo de piso en que la bañera quedará sujeta.
 - Esta bañera satisface la norma CSA B45.5/IAPMO Z124. Todas las dimensiones son nominales.
- Cambie la ubicación del soplador y la válvula de retención lo más cerca posible de la bañera para aumentar el rendimiento al máximo. No reubique el soplador y la válvula de retención a más de 15' (4,5 m) de la bañera.
 - Coloque el soplador 1-1/2" (38 mm) sobre el piso. No monte el motor soplador con la descarga del motor soplador apuntando hacia arriba.
 - El motor soplador debe tener ventilación adecuada para poder enfriarse y facilitar el flujo de aire. No instale el motor soplador a menos de 1" (25 mm) de la pared o de otros objetos. Deje espacio libre de unos 30 pies cúbicos (0,8 metros cúbicos) para que se enfríe.

Antes de comenzar (cont.)

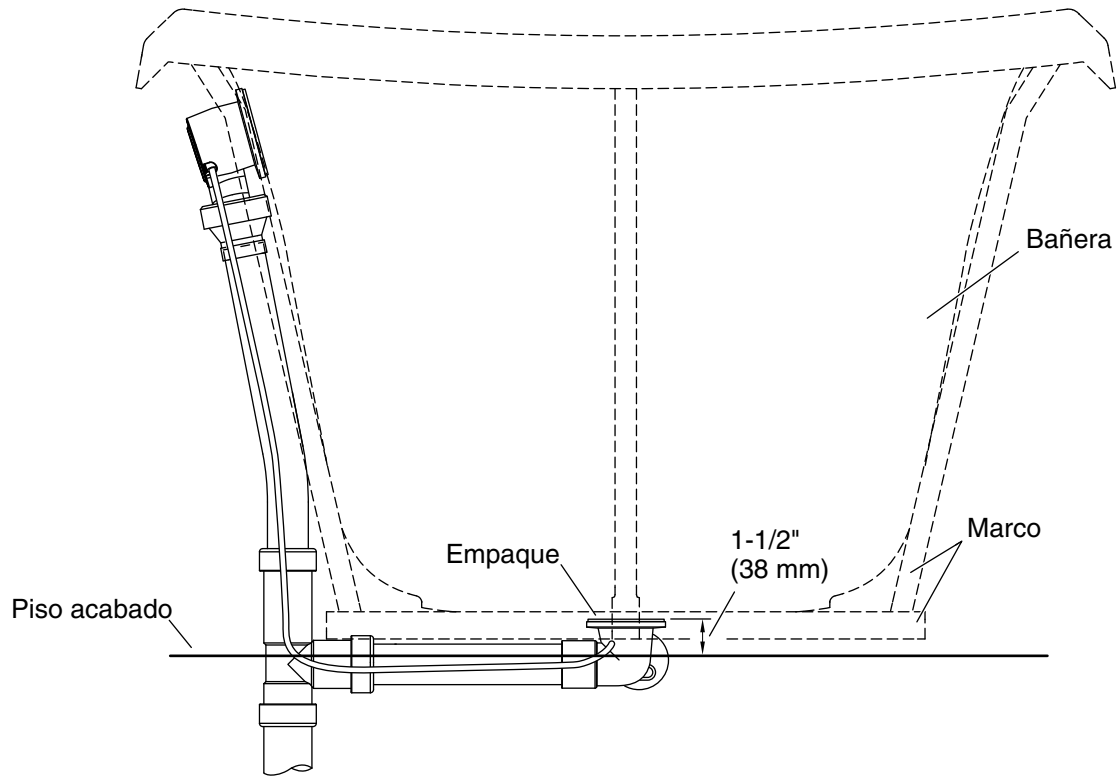
- **La válvula de retención debe cambiarse de ubicación junto con el motor soplador.** En su nuevo lugar, la válvula de retención no debe estar más abajo de 24" (610 mm) del reborde de la bañera. La válvula de retención debe estar a menos de 12' (305 mm) del motor soplador. La válvula de retención debe estar orientada verticalmente con la flecha apuntando hacia arriba. **NO cambie de lugar la unidad de control.** La unidad de control debe permanecer con la unidad.
- Utilice tubería de PVC de 1-1/2" o equivalente.
- La instalación de la tubería debe cumplir los requisitos de los códigos locales de plomería o construcción. Asegúrese de que la instalación no reduzca la resistencia al fuego de ninguna de las paredes. Los tubos deben estar soportados a intervalos a lo largo de toda la longitud, conforme a los códigos locales.
- Asegúrese de que la ubicación del motor soplador esté limpia y no tenga polvo ni suciedad.
- Instale un panel de acceso para el mantenimiento del motor soplador.
- El cable de alimentación con calibre mínimo de 18 AWG al motor soplador debe cumplir los requisitos de todos los códigos eléctricos y de construcción pertinentes. Asegúrese de que la instalación no reduzca la resistencia al fuego de ninguna de las paredes.
- El cable de alimentación eléctrica debe estar soportado a intervalos en toda su longitud, de acuerdo a los códigos locales. Los cables de alimentación eléctrica no deben descansar en superficies ni pisos que pudieran inundarse.

1. Prepare el sitio

AVISO: Proporcione el soporte de piso adecuado.

AVISO: Mida el producto para preparar el lugar. Fíjese en el **número de modelo** en el extremo donde está el soplador de la bañera; luego visite la página del producto en www.kohler.com para obtener información adicional.

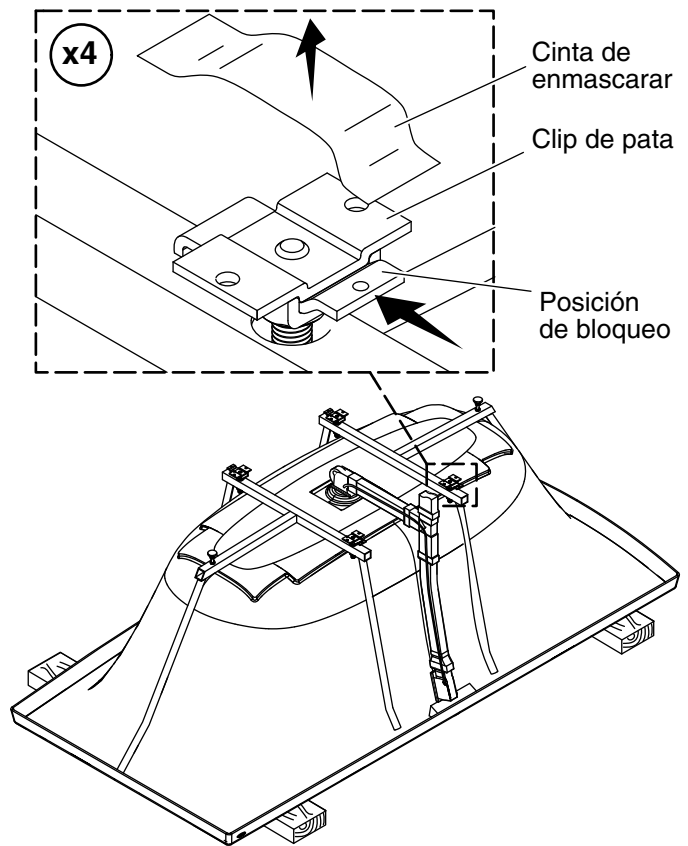
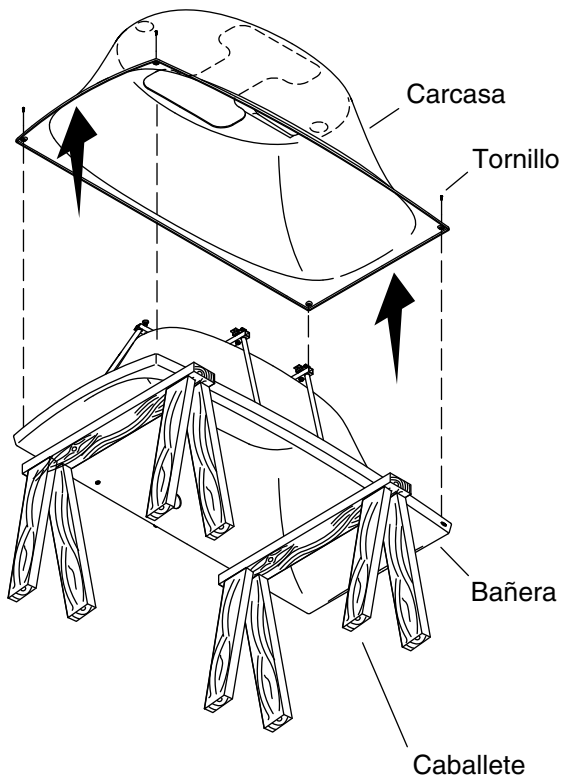
- Asegúrese de que el subpiso esté nivelado.
- Determine la ubicación de la bañera. Proporcione un espacio libre mínimo de 24" (610 mm) alrededor del perímetro de la bañera. Se recomienda dejar espacio adicional para facilitar la instalación.
- Utilice la plantilla de corte que se incluye con la bañera para marcar correctamente las ubicaciones del desagüe y de suministro de agua en relación con la ubicación elegida para la bañera.
- Instale el panel de acceso para dar servicio al motor soplador remoto.
- Prepare las rutas para el tendido de la tubería de PVC de 1-1/2" y de un cable para el teclado para que pasen bajo el piso, desde soplador hasta la bañera. Cumpla todos los códigos de electricidad, plomería, incendios y de construcción que se apliquen.
- Determine la ubicación en el piso donde la tubería de PVC del soplador saldrá de abajo del piso para conectarse a la tubería de la bañera. Marque este lugar en el piso.
- Con una sierra o con una corona perforadora corte en el subpiso los lugares marcados para suministro de agua y desagüe.
- Corte el orificio para la tubería de PVC para el soplador y para el cable para el teclado en el lugar marcado en el piso.
- Instale el tendido de las líneas de suministro de agua y de desagüe.
- Instale el material de acabado del piso antes de instalar la bañera.
- Asegúrese de que el piso acabado esté nivelado antes de continuar con la instalación de la bañera.



2. Prepare el lugar para el desagüe

¡IMPORTANTE! En instalaciones sobre piso de concreto se debe dejar espacio libre para el montaje del desagüe. Consulte la plantilla que se incluye con la bañera.

- Deje acceso para hacer la conexión final del desagüe desde abajo.
- Para que la bañera quede bien instalada, verifique que haya suficiente espacio libre para el desagüe.



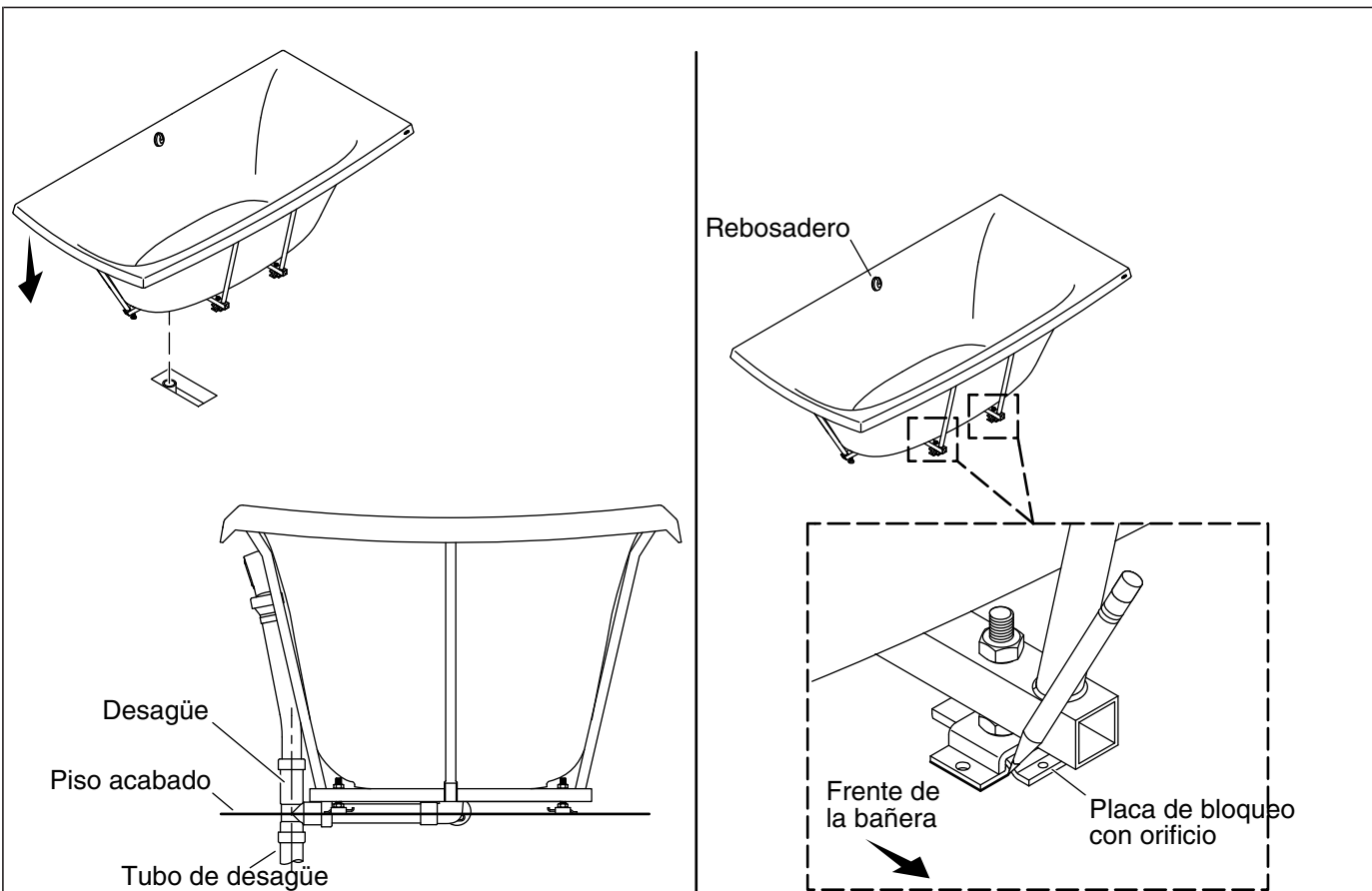
3. Prepare la bañera

¡IMPORTANTE! No retire las patas ni los niveladores de la bañera.

- Coloque la bañera boca abajo sobre dos caballetes.
- Retire y guarde el tornillo de cada esquina del cuerpo de la bañera.
- Levante la carcasa del cuerpo de la bañera y colóquela a un lado.

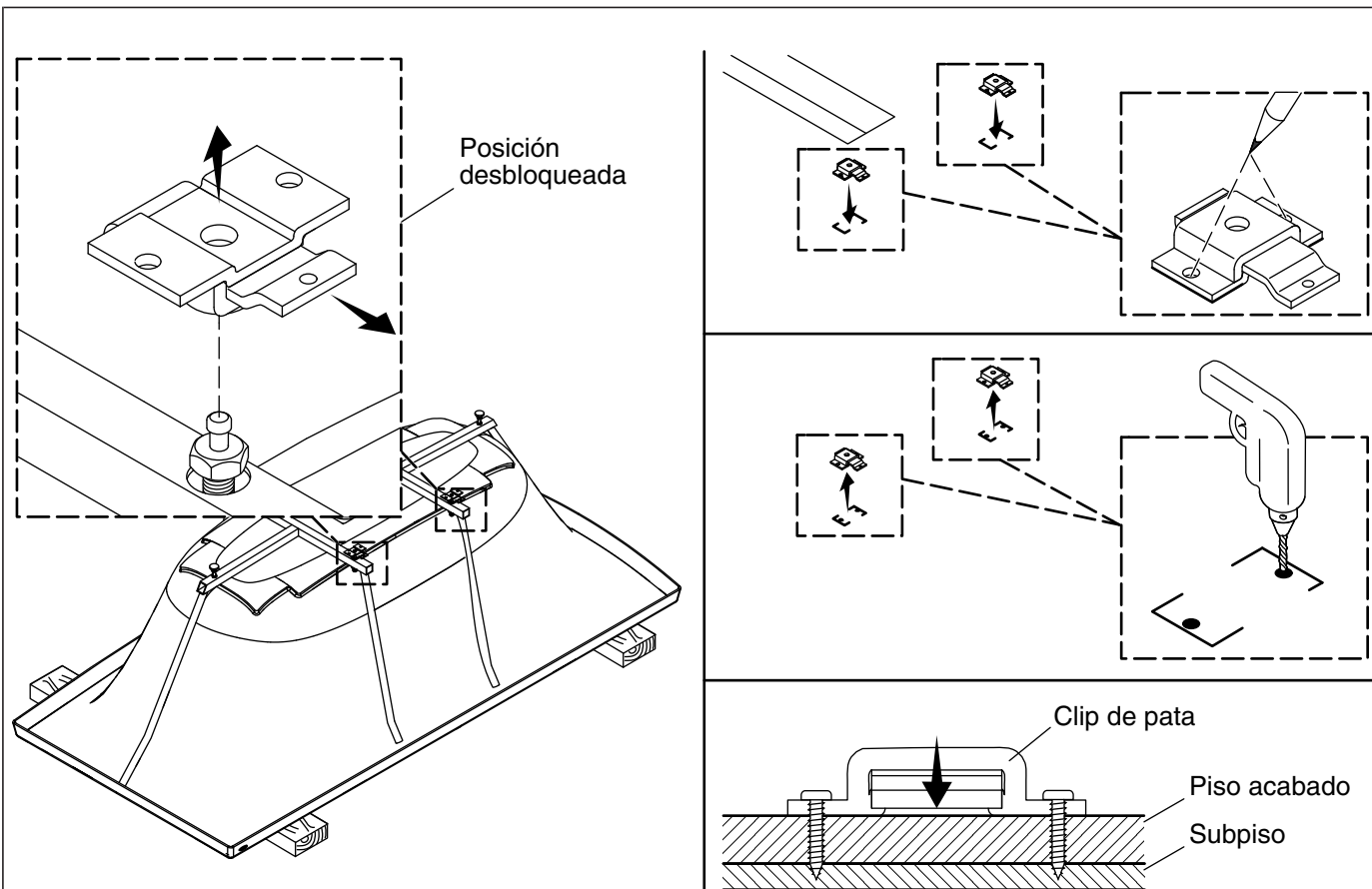
¡IMPORTANTE! En instalaciones sobre piso de concreto se debe dejar espacio libre para el montaje del desagüe. Consulte la plantilla que se incluye con la bañera.

- Instale el desagüe a la bañera, según las instrucciones que se incluyen con el desagüe.
- Retire la cinta de enmascarar de los 4 clips de patas. Asegúrese de que las placas de bloqueo estén en la posición de bloqueo y orientadas hacia el exterior de la bañera, como se ilustra.



4. Coloque dos clips de patas (sin carcasa)

- Voltee el cuerpo de la bañera y colóquelo en su lugar sobre el piso acabado. Asegúrese de que el desagüe quede alineado con el tubo de desagüe, y de que no haya interferencias del desagüe con el piso.
- Coloque cada placa de bloqueo con el orificio hacia el lado exterior de la bañera.
- Trace el contorno de los 2 clips de patas en el lado delantero de la bañera, del lado opuesto al rebosadero.
- Levante la bañera y colóquela boca abajo sobre caballetes.

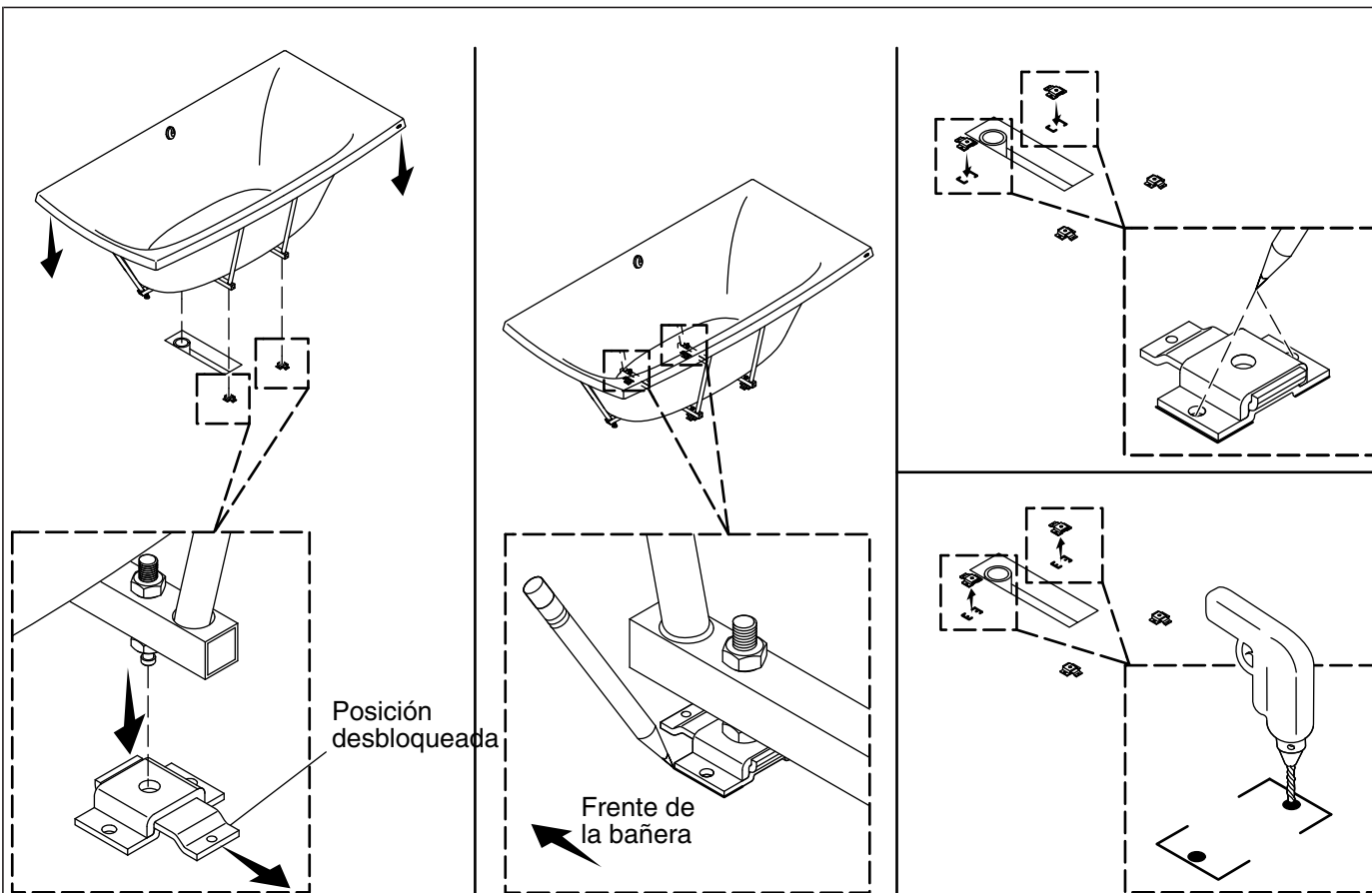


5. Fije dos clips de patas (sin carcasa)

- Tire hacia fuera de las placas de bloqueo en los 2 clips de patas que fueron trazados en el piso, y retire los clips de patas.
- Coloque estos clips de patas sobre las líneas trazadas, y marque los 4 orificios para tornillos.

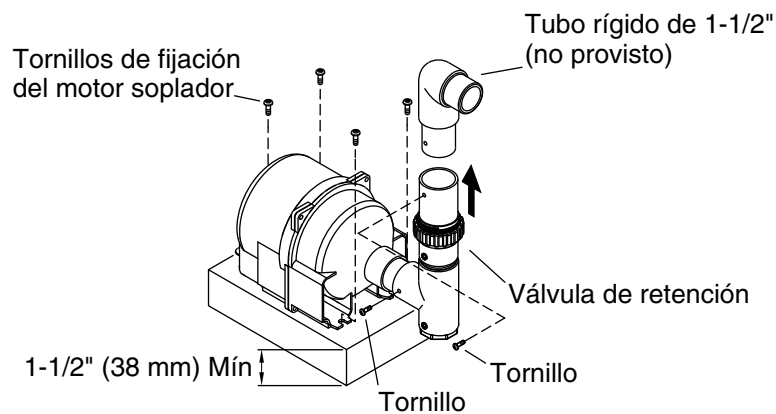
¡IMPORTANTE! Asegúrese de que los clips de patas vayan a quedar al ras con el piso acabado después de terminar la instalación. Si usa anclajes que sobresalgan sobre el piso acabado, haga una cavidad en el material del piso acabado alrededor de los orificios o empotre los anclajes de forma que los clips de patas queden planos contra el piso acabado.

- Con cuidado taladre los 4 lugares para orificios para tornillos en el piso acabado, y file los clips de patas al piso con herrajes adecuados al material del piso.



6. Fije los clips de patas restantes (sin carcasa)

- Cambie de posición la bañera, de forma que los 2 postes que están en el marco de la bañera entren en los clips de patas instalados. **No mueva las placas de bloqueo** a la posición de bloqueo en los 2 clips de patas instaladas en el piso.
- Asegúrese de que el orificio para tornillos de la placa de bloqueo quede de cara hacia el exterior de la bañera en cada uno de los 2 clips de patas restantes.
- Trace el contorno de los 2 clips de patas restantes.
- Levante la bañera y colóquela a un lado.
- Repita los pasos anteriores para retirar, marcar, taladrar y fijar los 2 clips de patas restantes.



7. Instale el motor soplador.

NOTA: Consulte la sección "Antes de comenzar" para obtener otros requisitos para el cambio de ubicación del motor soplador.

- En el lugar elegido para el motor soplador, instale un bloque (no incluido) de 1-1/2" (38 mm) de altura para soportar el motor soplador. Elija un bloque de longitud y ancho suficientes para soportar todo el motor soplador.
- Fije el motor soplador al bloque de soporte con los sujetadores apropiados (no provistos).
- Instale la válvula de retención en donde esté el motor soplador. La válvula de retención debe quedar orientada verticalmente. Confirme que la válvula de retención quede orientada con la flecha apuntando al lado contrario del motor soplador, y que esté colocada no más abajo de 24" (610 mm) del reborde de la bañera.
- Instale y soporte tubería de PVC de 1-1/2" (no se incluye) bajo el piso entre el motor soplador y el lugar de la bañera. No conecte la tubería de PVC en ninguno de los extremos mientras no se le indique que lo haga.
- En la bañera, cemente una unión u otra conexión a la que sea posible dar servicio a la manguera enrollada del soplador.
- Confirme que todos los orificios en la pared estén bien sellados y que se cumplan todos los códigos locales de construcción e incendio.

8. Haga las conexiones eléctricas - EE.UU. y México



ADVERTENCIA: Riesgo de sacudidas eléctricas. Conecte el motor soplador a un tomacorriente conectado a tierra apropiadamente, protegido por un interruptor de circuito con pérdida a tierra (GFCI) o por un dispositivo de corriente residual (RCD). No retire las clavijas de conexión a tierra del enchufe. No utilice un adaptador de conexión a tierra.



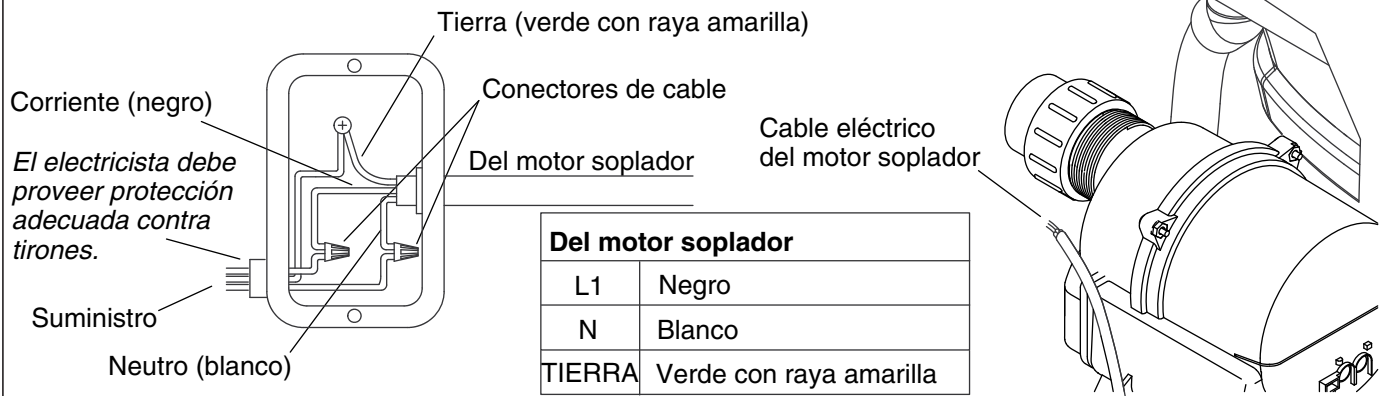
ADVERTENCIA: Riesgo de sacudidas eléctricas. Desconecte el suministro eléctrico antes de realizar los siguientes procedimientos.

AVISO: El motor soplador está equipado de un cable y un enchufe. Un electricista calificado debe instalar un tomacorriente conectado a tierra, de 120 V, 15 A con protección mediante un interruptor GFCI o RCD para el soplador. Este circuito no debe tener ninguna otra carga.

- Instale un tomacorriente eléctrico detrás de la bañera, por lo menos a 1-1/2" (38 mm) arriba del subpiso y dentro del alcance del cable de alimentación eléctrica de 24" (610 mm).
- Enchufe el soplador en el tomacorriente.

El cableado de la caja de empalmes se debe realizar como se ilustra.

Haga los empalmes de acuerdo a los códigos nacionales y locales.



9. Realice las conexiones eléctricas – Canadá

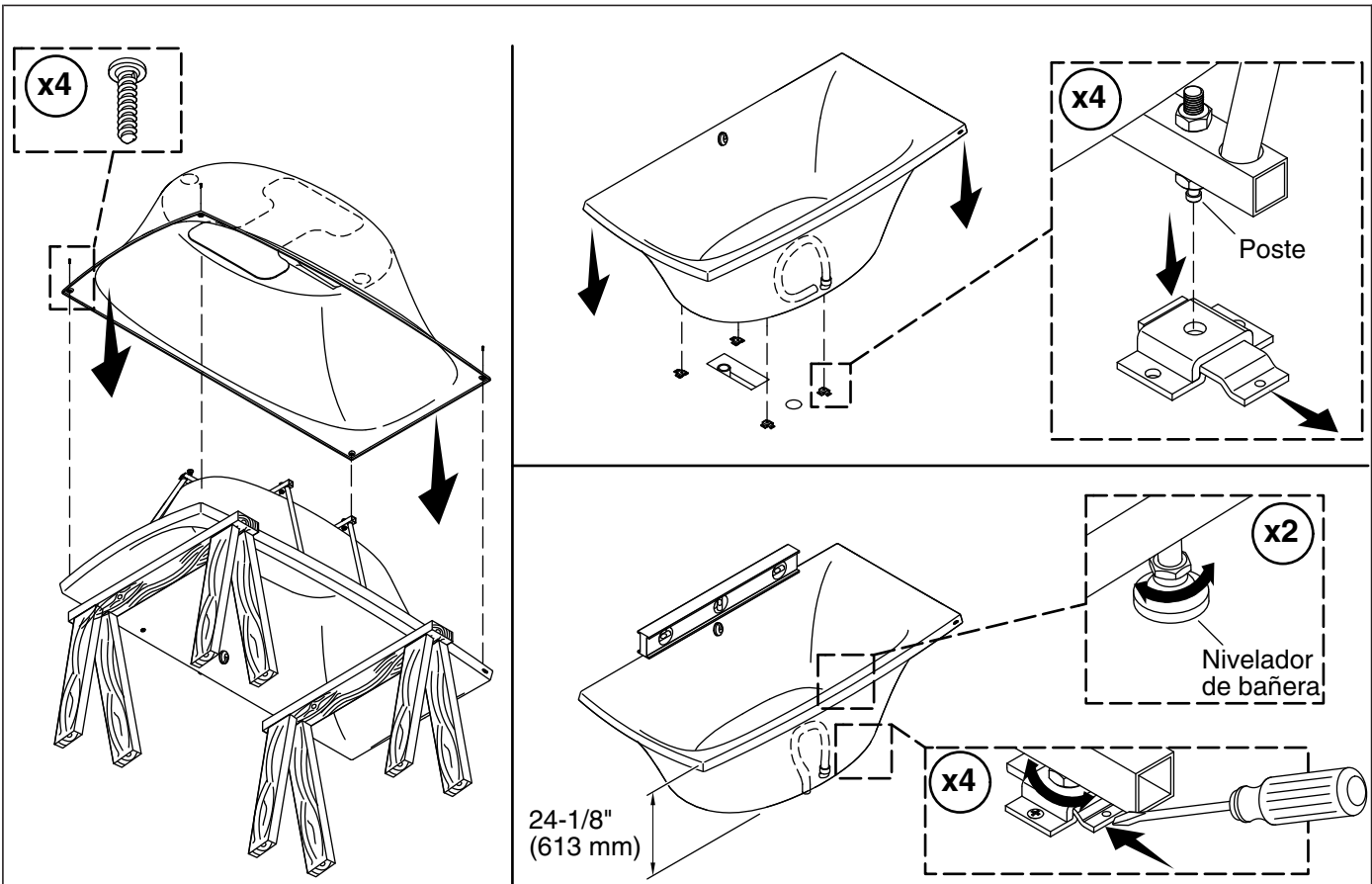


ADVERTENCIA: Riesgo de sacudidas eléctricas. Asegúrese de desconectar la corriente eléctrica antes de realizar los siguientes procedimientos.



ADVERTENCIA: Riesgo de sacudidas eléctricas. Conecte el motor soplador a un interruptor conectado apropiadamente a tierra, protegido por un interruptor de circuito con pérdida a tierra (GFCI) o por un dispositivo de corriente residual (RCD). Esto sirve de protección adicional contra el peligro de sacudida eléctrica de línea a tierra.

- Coloque y fije cada caja de empalmes provista a un mínimo de 1-1/2" (38 mm) arriba del subpiso.
- El cableado de los controles y del sistema de la bañera se ha realizado previamente en la fábrica. Un electricista calificado debe realizar las conexiones eléctricas a la caja de empalmes.
- Conecte el cable de servicio eléctrico a la caja de empalmes. La caja de empalmes de 60 Hz tiene cables negro y blanco, y una lengüeta de conexión a tierra.
- Se requiere un circuito dedicado de 120 V, 15 A. Provea un GFCI Clase A o RCD.
- Provea un conductor de conexión a tierra del equipo por separado para la lengüeta de conexión a tierra o tierra interior. El conductor **no debe** estar conectado a ningún otro conductor portador de corriente.
- Haga los empalmes de acuerdo a los códigos nacionales y locales.



10. Instale la bañera

- Voltee el cuerpo de la bañera boca abajo sobre los caballetes.
- Asegúrese de que todas las conexiones del desagüe estén fijas.
- Corte los sujetacables que fijan la manguera de PVC del soplador y el cable para el teclado.
- Coloque la carcasa en la bañera de forma que los bordes de la carcasa descansen dentro del cuerpo de la bañera. Asegúrese de que la manguera del soplador y de que el cable para el teclado queden accesibles desde el fondo de la carcasa.
- Fije la carcasa a la bañera con un tornillo en cada esquina. **No apriete demasiado.**
- Asegúrese de que los clips de patas no estén en la posición de bloqueo.
- Levante la bañera a acercarla al lugar de instalación.
- Cemente la conexión de la manguera de PVC del soplador a la tubería de PVC.
- Tienda el cable para el teclado bajo el piso y hacia el área del motor soplador.
- Con cuidado levante la bañera a su lugar mientras que alimenta el tubo de PVC por el orificio en el piso.
- Asegúrese de que los postes en el marco de la bañera entren en los 4 clips de patas, y que el desagüe entre en el tubo de desagüe.
- Revise que el ajuste sea sólido (que no se balancee) y que los rebordes de las esquinas queden a una altura de 24-1/8" (613 mm) del piso acabado.
- De ser necesario, levante y mueva la bañera y ajuste los 4 postes lo que sea necesario para asegurar que quede una distancia de 24-1/8" (613 mm) del piso acabado a la parte superior de cada esquina del reborde de la bañera. Ajuste los niveladores según sea necesario. Asegúrese de que los niveladores y las patas de la bañera estén bien apretados.

Instale la bañera (cont.)

- Oprima hacia abajo con la mano las esquinas de la bañera, para asegurarse de que la bañera no se mueva hacia arriba y hacia abajo o de lado a lado. Si la bañera se mueve, revise que los 4 postes estén dentro de los clips de patas y verifique que el piso esté nivelado.
- Con un destornillador de punta plana presione hacia dentro las 4 placas de bloqueo para bloquear las patas de la bañera en su lugar.
- En el extremo en que está el soplador, corte todo el exceso de tubería de PVC y conecte el tubo de PVC al tubo del soplador.
- Conecte el cable para el teclado al motor soplador.

11. Termine de hacer la instalación

Termine de hacer la instalación

- Instale la guarnición de la grifería.
- Haga la conexión final del desagüe.

Pruebe el funcionamiento de la bañera

- Llene la bañera a un nivel de por lo menos 4" (102 mm) arriba del jet de aire más alto.
- Cierre la entrada de agua a la bañera y deje el agua ahí cinco minutos. Revise que no haya fugas en ninguna de las conexiones de las tuberías de la bañera. Verifique que no haya fugas a lo largo del frente, los lados y la parte posterior de la bañera.
- Encienda el soplador y déjelo funcionar durante 5 minutos. Verifique que funcione sin dificultades.

Limpieza después de la instalación

- Al limpiar después de la instalación, no utilice productos de limpieza abrasivos ya que pueden rayar y opacar la superficie de la bañera. Utilice agua tibia y detergente líquido para limpiar la superficie de la bañera.

Instrucciones importantes de seguridad

LEA Y SIGA TODAS LAS INSTRUCCIONES

GUARDE ESTAS INSTRUCCIONES

INSTRUCCIONES RELATIVAS A LOS RIESGOS DE INCENDIO, SACUDIDA ELÉCTRICA O LESIONES PERSONALES



ADVERTENCIA: Al usar aparatos eléctricos siempre cumpla las precauciones básicas, incluidas las siguientes:



PELIGRO: Riesgo de lesiones personales o ahogamiento. Para reducir el riesgo de lesiones, no permita que los niños usen este producto sin supervisión estricta en todo momento.



ADVERTENCIA: Riesgo de lesiones personales. Para evitar lesiones, tenga cuidado al entrar y al salir de la bañera.



ADVERTENCIA: Riesgo de sacudidas eléctricas. No coloque aparatos eléctricos (como secador de pelo, lámparas, teléfono, radio o televisión) a menos de 5 pies (1,5 m) de esta bañera.



ADVERTENCIA: El uso de alcohol, drogas o medicamentos puede aumentar enormemente el riesgo de sufrir hipertermia fatal. La inmersión prolongada en agua caliente puede producir hipertermia. Ocurre hipertermia cuando la temperatura interna del cuerpo alcanza un nivel varios

Instrucciones importantes de seguridad (cont.)

grados más arriba de la temperatura corporal normal de 98,6°F (37°C). Los síntomas de hipertermia incluyen aumento de temperatura corporal interna, mareos, letargo, somnolencia y desfallecimiento. Los efectos de hipertermia incluyen: (a) incapacidad para percibir calor, (b) incapacidad para reconocer la necesidad de salir de la bañera, (c) inconsciencia de un peligro inminente, (d) daño al feto en mujeres embarazadas, (e) inhabilidad física para salir de la bañera y (f) pérdida del conocimiento con peligro de ahogarse.



ADVERTENCIA: Riesgo de lesiones mortales. Las mujeres embarazadas o que posiblemente estén embarazadas deben consultar a un médico antes de usar la bañera.



ADVERTENCIA: Riesgo de hipertermia o ahogamiento. No utilice la bañera inmediatamente después de hacer ejercicio.



ADVERTENCIA: Riesgo de hipertermia o ahogamiento. La temperatura del agua superior a 100°F (38°C) puede causar lesiones. Pruebe y ajuste la temperatura del agua antes de usar la bañera.



ADVERTENCIA: Riesgo de lesiones personales. No deje caer ni introduzca objetos en ninguna de las aberturas.

Use esta bañera únicamente con el fin para el que ha sido fabricada, tal como se explica en esta guía. No use equipos adicionales que no recomiende Kohler Co.

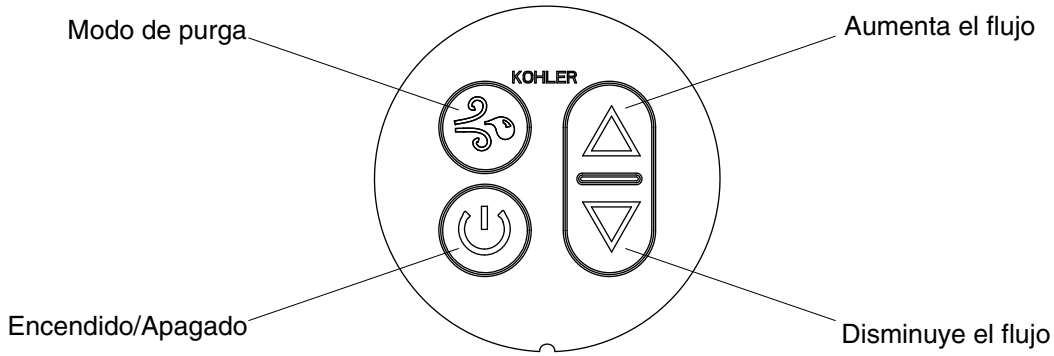
La bañera se debe conectar a un circuito protegido por un interruptor de circuito con pérdida a tierra (GFCI)*. El instalador debe suministrar dicho interruptor GFCI, cuyo funcionamiento debe probarse en forma rutinaria. Para probar el GFCI, oprima el botón de prueba. El GFCI debe interrumpir el suministro eléctrico. Oprima el botón de restablecer (Reset). Esto debe restablecer el suministro eléctrico. Si el GFCI no funciona de esta manera, significa que está averiado. Si el GFCI interrumpe la alimentación eléctrica a la bañera sin que se haya activado el botón de prueba, significa que fluye corriente a tierra, lo que indica la posibilidad de una sacudida eléctrica. No utilice esta bañera. Desconecte la bañera y solicite que un representante de servicio autorizado solucione el problema.

Limpie el sistema de hidromasaje dos o más veces al mes, de acuerdo al uso, tal como se describe en la sección "Haga circular agua para limpiar el sistema" de esta guía.

El uso constante de productos de higiene personal que contengan aceites puede dañar los componentes plásticos de la bañera de hidromasaje. Evite el uso de aceites de baño.

La acción del hidromasaje puede hacer que una pequeña cantidad de líquidos para hacer burbujas, champú, jabón o aceite de baño espume en exceso. Por esta razón, no utilice estos productos durante el funcionamiento de la bañera de hidromasaje.

*Fuera de Estados Unidos, este dispositivo se conoce como dispositivo de corriente residual (RCD, por sus siglas en inglés).



Instrucciones de funcionamiento

¡IMPORTANTE! Este producto tiene un modo de purga automática de agua que enciende el soplador durante 2 minutos aproximadamente 30 minutos después de apagar y vaciar la unidad.

NOTA: La temperatura del agua en la bañera nunca debe exceder 104°F (40°C).

- Cierre el desagüe, luego llene la bañera por lo menos 4" (102 mm) arriba del jet más alto.
- Pruebe la temperatura del agua con la mano para su comodidad y seguridad, luego entre con cuidado a la bañera.
- Oprima el icono [Encendido/Apagado] para encender el soplador a una velocidad media.
- Oprima los iconos de flecha hacia [Arriba] o [Abajo] para aumentar o disminuir el flujo de aire.

NOTA: El soplador se apaga automáticamente después de 20 minutos de funcionamiento, y si desea puede volver a encenderlo inmediatamente.

- Vuelva a oprimir el icono [Encendido/Apagado] por segunda vez para apagar el soplador.
- Salga con cuidado y vacíe la bañera.
- Oprima el icono [Modo de purga] para soplar el agua restante de los canales de aire. El soplador se enciende durante 2 minutos y luego se apaga automáticamente.

NOTA: Aproximadamente 30 minutos después de apagado el motor soplador, se enciende automáticamente un modo de purga de 2 minutos.

NOTA: Si la bañera no funciona correctamente, consulte la sección "Guía para resolver problemas".

Cuidado y limpieza

Para obtener los mejores resultados, tenga presente lo siguiente al limpiar la bañera KOHLER con jets de aire:

- Siempre pruebe la solución de limpieza en un área oculta antes de aplicarla a toda la superficie.
- Limpie con un paño las superficies, y enjuague completa e inmediatamente con agua después de haber aplicado algún limpiador. Enjuague y seque las superficies cercanas que hayan recibido salpicaduras.
- No deje mucho tiempo los limpiadores en las superficies.
- Utilice una esponja humedecida o un paño suave y húmedo. Para limpiar las superficies nunca utilice materiales abrasivos, como cepillos o estropajos de tallar.
- La técnica de limpieza ideal es enjuagar muy bien y secar el agua de la superficie después de cada uso.

Cuidado y limpieza (cont.)

- Utilice un cepillo de nylon suave en las superficies antideslizantes. Asegúrese de utilizar un limpiador soluble en agua (que se disuelva al 100% en el agua).
- **No utilice productos de limpieza en polvo, a menos que estén completamente disueltos en agua.** Las sustancias sólidas pueden obstruir los jets de aire.
- **No utilice soluciones de limpieza concentradas que contengan blanqueador o amoníaco.** Las soluciones de limpieza activas químicamente pueden dañar la superficie de la bañera.
- **No utilice disolventes ni limpiadores abrasivos en las superficies de los jets de aire.** Los disolventes y los productos de limpieza abrasivos pueden dañar la superficie de los jets de aire.

Mantenimiento de los jets de aire

- Si es necesario limpiar los jets de aire debido a depósitos minerales del agua dura, moje un trapo suave, no abrasivo, con vinagre blanco y limpie los orificios del jet de aire que estén tapados. Enjuague inmediatamente el área con agua limpia para evitar la exposición prolongada de la superficie del jet de aire al vinagre.
- Llene la bañera de agua hasta la fila superior de jets de aire. Drene la bañera y oprima el botón de purga.

Limpieza del teclado del usuario y del control remoto

- Utilice un paño suave para limpiar el teclado y el control remoto después de cada uso. Si la superficie se ensucia, limpie con un jabón no abrasivo y agua tibia.

Para obtener información detallada de limpieza y de productos a considerar, visite www.kohler.com/clean. Para solicitar información sobre el cuidado y la limpieza, llame al 1-800-456-4537.

Resolución de problemas

AVISO: El propósito de esta sección es solo ayuda general. Todos los problemas eléctricos deben ser resueltos por un representante de servicio autorizado de Kohler Co. o un electricista calificado. Para obtener el servicio de garantía, llame 1-800-4KOHLER desde EE.UU. y Canadá, o al 001-800-456-4537 desde México.

NOTA: El número de modelo del producto está impreso en una etiqueta en el lado del soplador de la bañera.

NOTA: Para consultar información sobre piezas de repuesto, visite la página de su producto en www.kohler.com/serviceparts.

Síntomas	Causas probables	Acción recomendada
1. El soplador se enciende por sí mismo después de haber drenado la bañera.	A. Funcionamiento normal. El modo de purga automática está funcionando según se diseñó.	A. No se requiere acción alguna. El modo de purga automática funciona durante 2 minutos, 30 minutos después de haber drenado la bañera.
2. El soplador se apaga por sí mismo después de haber funcionado durante dos minutos.	A. Se oprimió el icono de modo de purga en vez del icono de encendido/apagado.	A. Oprima el icono de encendido/apagado en el teclado. Consulte la sección "Instrucciones de funcionamiento".
3. El motor soplador no se enciende.	A. El cable de alimentación eléctrica del motor soplador está suelto, desconectado o dañado.	A. Revise que los cables estén correctamente conectados.
	B. El cable para el teclado está suelto o dañado.	B. Revise las conexiones de los cables. De ser necesario, cambie el cable del teclado del usuario.
	C. El teclado del usuario no funciona.	C. Cambie el teclado del usuario.
	D. El motor soplador no funciona.	D. Cambie el motor soplador.

Resolución de problemas (cont.)

Síntomas	Causas probables	Acción recomendada
4. El motor soplador deja de funcionar y no se enciende de inmediato.	A. El motor soplador se ha sobrecalentado y se ha activado el dispositivo de protección.	A. Verifique que no haya obstrucciones en la entrada de aire del soplador. Elimine la obstrucción y deje enfriar el motor.
5. El motor soplador arranca, pero no todos los jets de aire funcionan.	A. La velocidad del motor soplador es demasiado baja.	A. Aumente la velocidad.
	B. La entrada del motor soplador está obstruida.	B. Limpie la entrada del motor soplador.
	C. El motor soplador no funciona.	C. Cambie el motor soplador.
	D. La descarga del motor soplador está obstruida.	D. Elimine la obstrucción.
	E. Los jets de aire están tapados.	E. Utilice un cepillo interdental pequeño y vinagre blanco. Sumerja el cepillo en el vinagre, cepille el orificio, enjuague el cepillo en agua limpia y luego utilice el cepillo enjuagado para enjuagar el orificio.
6. El motor soplador funciona pero no se observan burbujas de aire.	A. La entrada del motor soplador está obstruida.	A. Limpie la entrada del motor soplador.
	B. Los jets de aire están obstruidos.	B. Utilice un cepillo interdental pequeño y vinagre blanco. Sumerja el cepillo en el vinagre, cepille el orificio, enjuague el cepillo en agua limpia y luego utilice el cepillo enjuagado para enjuagar el orificio.
	C. El motor soplador no funciona.	C. Cambie el motor soplador.
7. El motor soplador funciona, se observan burbujas de aire, pero la función de velocidad no funciona.	A. La entrada del motor soplador está obstruida.	A. Limpie la entrada del motor soplador.
	B. El arnés de cableado está suelto, desconectado o dañado.	B. Revise que los cables estén correctamente conectados. Cambie el arnés de cableado de ser necesario.
	C. El teclado del usuario no funciona.	C. Cambie el teclado del usuario.
	D. El motor soplador no funciona.	D. Cambie el motor soplador.
8. El motor soplador no se apaga cuando se oprime el botón de encendido/apagado.	A. El teclado del usuario no funciona.	A. Cambie el teclado del usuario.
	B. El arnés de cableado está suelto, desconectado o dañado.	B. Revise que los cables estén correctamente conectados. Cambie el arnés de cableado de ser necesario.
	C. El control no funciona.	C. Cambie el control.
9. El modo de purga no funciona.	A. El teclado del usuario no funciona.	A. Cambie el teclado del usuario.
	B. El control no funciona.	B. Cambie el control.
10. La bañera no se purga automáticamente.	A. El soplador no funciona.	A. Cambie las pilas.

Garantía

GARANTÍA LIMITADA DE UN AÑO

Se garantizan los productos de plomería KOHLER contra defectos de material y mano de obra durante un año a partir de la fecha de instalación.

Garantía (cont.)

Kohler Co., a su criterio, reparará, reemplazará o realizará los ajustes pertinentes en los casos en que la inspección realizada por Kohler Co. determine que dichos defectos hayan ocurrido durante el uso normal en el transcurso de un (1) año a partir de la fecha de instalación. Kohler Co. no se hace responsable de costos de desinstalación o de instalación. **El uso de limpiadores de inodoro que se colocan dentro del tanque anula la garantía.**

Para obtener el servicio de garantía, comuníquese con Kohler Co. a través de su distribuidor, contratista de plomería, centro de remodelación o distribuidor por Internet, o escriba a Kohler Co., Atención: Customer Care Center, 444 Highland Drive, Kohler, WI 53044, EE.UU., o llame al 1-800-4-KOHLER (1-800-456-4537) desde los EE.UU. y Canadá, o al 001-800-456-4537 desde México, o visite www.kohler.com desde los EE.UU., www.ca.kohler.com desde Canadá, o www.mx.kohler.com en México.

TODA GARANTÍA IMPLÍCITA, INCLUIDA LA DE COMERCIALIZACIÓN E IDONEIDAD DEL PRODUCTO PARA UN USO DETERMINADO, SE LIMITA EXPRESAMENTE A LA DURACIÓN DE ESTA GARANTÍA. KOHLER CO. Y/O EL VENDEDOR DESCARGAN TODA RESPONSABILIDAD POR CONCEPTO DE DAÑOS PARTICULARES, INCIDENTALES O INDIRECTOS. Algunos estados/provincias no permiten limitaciones en cuanto a la duración de una garantía implícita o a la exclusión o limitación de daños particulares, incidentales o indirectos, por lo que es posible que estas limitaciones y exclusiones no se apliquen a su caso. Esta garantía le otorga ciertos derechos legales específicos. Además, usted también puede tener otros derechos que varían de estado a estado y de provincia a provincia.

Esta es la garantía exclusiva por escrito de Kohler Co.

Garantía

Para México

KOHLER CO.

Se recomienda que al momento de la compra, se verifique que todos los accesorios y componentes estén completos en esta caja.

Se garantiza este producto Kohler contra defectos en material y mano de obra durante un (1) año a partir de la fecha de compra que aparezca en la factura o en el recibo.

1. Kohler Co. prestará servicio únicamente a los productos comercializados a través de sus distribuidores autorizados.
2. Para obtener el servicio de garantía, favor de presentar la factura de compra y la garantía correspondiente.
3. Kohler Co., a través de sus distribuidores autorizados, se compromete a reparar el producto defectuoso o, cuando la reparación no sea posible, reemplazarlo por uno nuevo o por un modelo equivalente (en caso de que el producto haya sido discontinuado) sin ningún cargo al consumidor.
4. El tiempo de reparación no excederá seis (6) semanas a partir de la fecha de recepción del producto.
5. Se recomienda al consumidor que conserve el recibo o la factura de compra como protección adicional, pues el mismo puede sustituir a la garantía en caso de que exista discrepancia en cuanto a la validez de la misma.

EXCEPCIONES Y RESTRICCIONES

La garantía no tendrá validez en los siguientes casos:

1. Cuando el producto no se utilice conforme a las instrucciones de uso y funcionamiento que se incluyen en el manual del usuario o en las instrucciones de instalación, y cuando no observen las recomendaciones y las advertencias provistas.
2. Cuando el producto se haya modificado o desmantelado parcial o totalmente, o manipulado de manera negligente y, como consecuencia, haya sufrido daños atribuibles al consumidor, a personas o a herrajes no autorizados por Kohler Co.
3. Esta garantía no cubre los daños que resulten de desastres naturales, tales como incendios o casos de

Garantía (cont.)

fuerza mayor, como inundaciones, terremotos, tormentas eléctricas, etc. Para obtener una lista de distribuidores cerca de usted y así hacer valer sus derechos bajo esta garantía, llame al 001-800-456-4537.

KOHLER CO., KOHLER, WI 53044 U.S.A.

IMPORTADOR:

COMERCIALIZADORA INTERCERAMIC, S.A. DE C.V.

AV. CARLOS PACHECO NO. 7200, COL. MADERA 65

CHIHUAHUA, CHIH., MÉXICO C.P. 31060

R.F.C. CIN141022IE9

TEL: 52 (614) 429-11-11

IMPORTADOR:

GAMA MATERIALES Y ACEROS, S.A. DE C.V.

AVE. LOS ÁNGELES NO. 1800

COL. VALLE DEL NOGALAR, SAN NICOLÁS DE LOS GARZA

N.L. MÉXICO

R.F.C. GMA901220U11

TEL: 81-1160-5500

USA/Canada: 1-800-4KOHLER

México: 001-800-456-4537

kohler.com

THE BOLD LOOK
OF **KOHLER**®

©2016 Kohler Co.

1220597-2-E