

**SHOWERHEAD
K-8985**



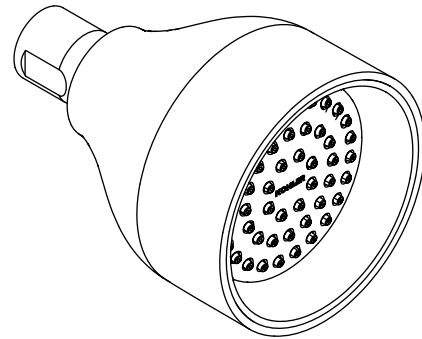
Features

- MasterClean™ spray nozzles prohibit mineral build-up for easy cleaning
- Katalyst™ Spray Technology with air induction ball joint (patent pending)
- Single-function spray with 48 individual spray nozzles
- 2.0 gallons (7.6 L) per minute maximum flow rate
- 1/2" - 14 NPT connection
- Three color options included for the trim ring - white, green, or black

Codes/Standards Applicable

Specified model meets or exceeds the following:

- ASME A112.18.1/CSA B125.1
- EPA WaterSense®



Colors/Finishes

- CP: Polished Chrome
- Other: Refer to Price Book for additional colors/finishes

Accessories

- CP: Polished Chrome
- Other: Refer to Price Book for additional colors/finishes

Specified Model

Model	Description	Colors/Finishes	
K-8985	Showerhead	<input type="checkbox"/> CP	<input type="checkbox"/> Other ____
Recommended Accessories			
K-7397	Shower arm and flange – 7-1/2" (19.1 cm) length, 1/2" NPT	<input type="checkbox"/> CP	<input type="checkbox"/> Other ____

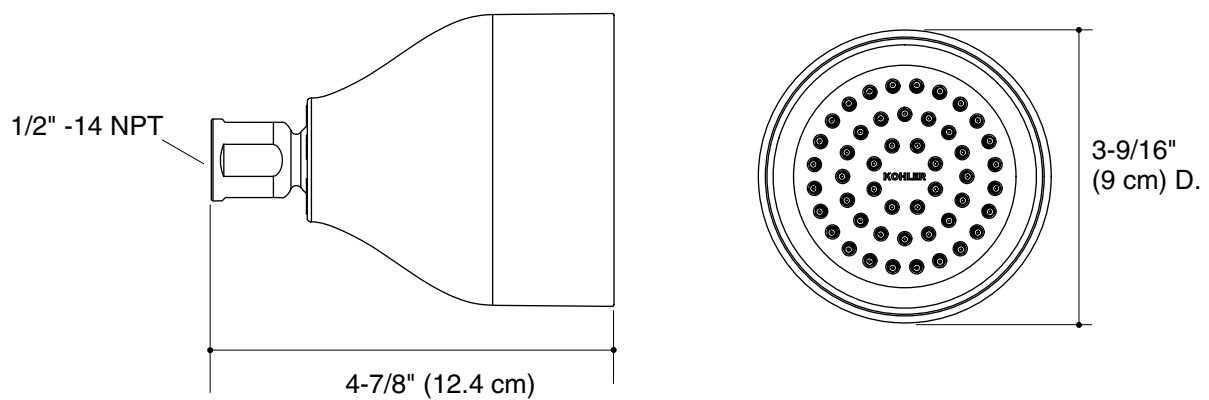
Product Specification

The showerhead shall feature MasterClean spray nozzles to prohibit mineral build-up for easy cleaning. Showerhead shall feature Katalyst™ Spray Technology with air induction ball joint (patent pending). Showerhead shall have a maximum flow rate of 2.0 gallons (7.6 L) per minute. Showerhead shall be available as a single-function spray with 48 individual spray nozzles. Showerhead shall feature a 1/2" - 14 NPT connection. Showerhead shall feature three color options included for the trim ring - white, green, or black. Showerhead shall be Kohler Model K-8985-_____.

TOOBI™

Installation Notes

Install this product according to the installation guide.



Product Diagram

Features

- Brass construction
- Front seal plate assembly
- Handle assembly

THERMOSTATIC FAUCET TRIM

K-T8982

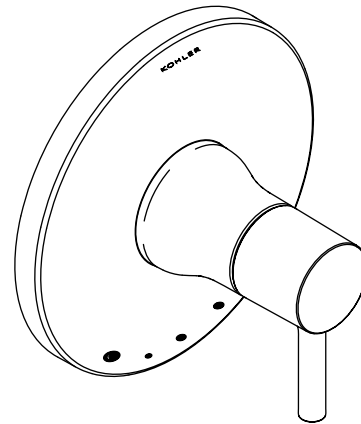
ALSO K-T8983, K-T8984

ADA

Codes/Standards Applicable

Specified model meets or exceeds the following:

- ADA
- ICC/ANSI A117.1
- ASME A112.18.1/CSA B125.1
- ASSE 1016



Colors/Finishes

- CP: Polished Chrome
- Other: Refer to Price Book for additional colors/finishes

Accessories

- NA: None applicable

Specified Model

Model	Description	Colors/Finishes	
K-T8982-4	Thermostatic valve trim (shown)	<input type="checkbox"/> CP	<input type="checkbox"/> Other ____
K-T8983-4	Volume control trim	<input type="checkbox"/> CP	<input type="checkbox"/> Other ____
K-T8984-4	Transfer valve trim	<input type="checkbox"/> CP	<input type="checkbox"/> Other ____

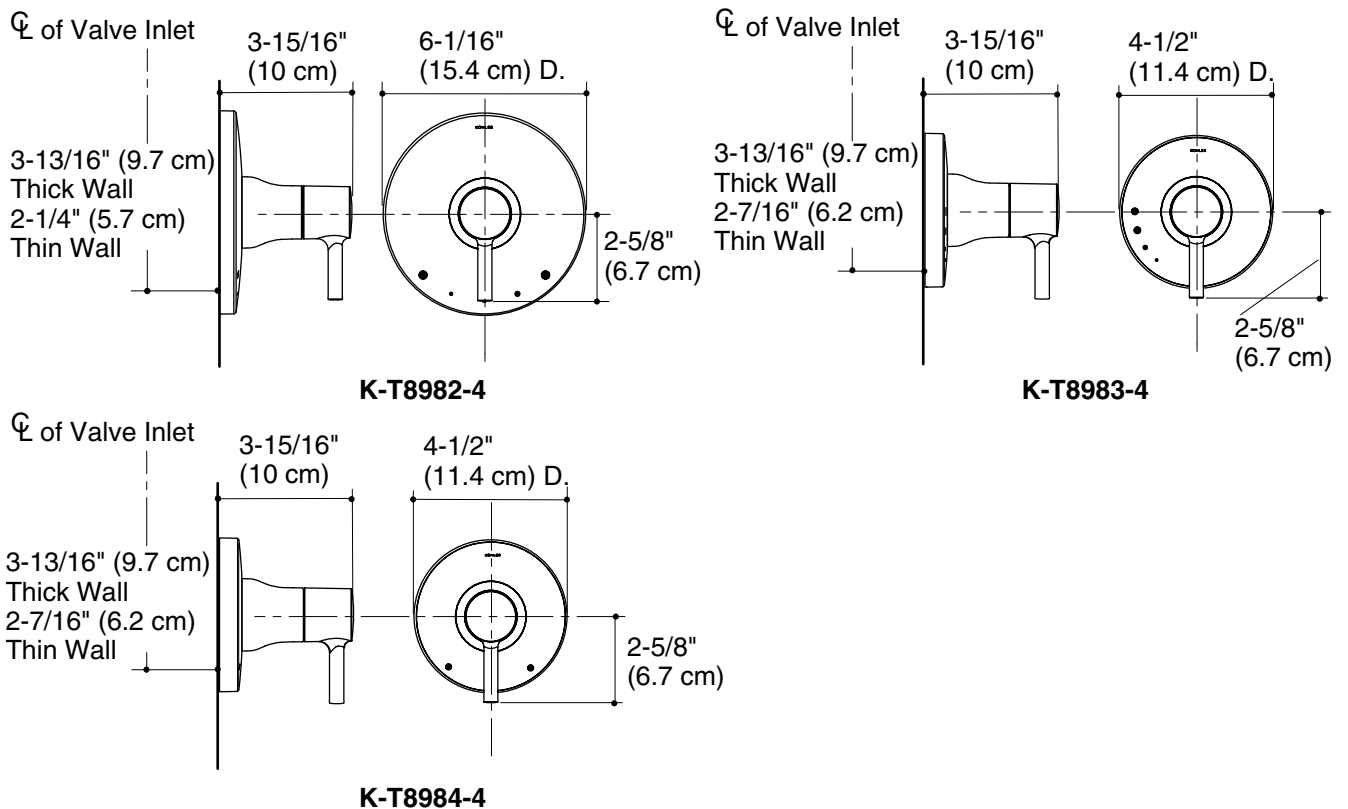
Required Accessories			
K-669-KS	3/4" thermostatic valve		<input type="checkbox"/> NA
K-671-K	3/4" volume control		<input type="checkbox"/> NA
K-728-K	3/4" transfer valve		<input type="checkbox"/> NA
K-679-KS	1/2" thermostatic valve		<input type="checkbox"/> NA
K-681-K	1/2" volume control		<input type="checkbox"/> NA

Product Specification

Thermostatic faucet trim shall be made of brass construction. Trim shall include front seal plate assembly and handle assembly. Faucet trim shall be Kohler Model K-T____-4-____ and thermostatic valving shall be K-____-____-NA.

Installation Notes

Install this product according to the installation guide.

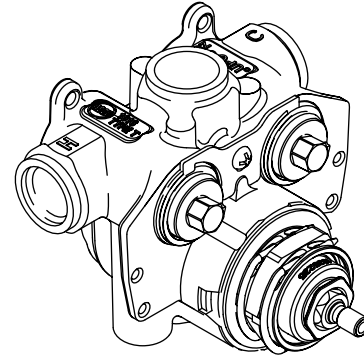


Product Diagram

**1/2" THERMOSTATIC MIXER
K-2972-KS**

Features

- Forged brass valve body
- Single-handle temperature control
- High-temperature limit setting for added safety
- Temperature-balancing mechanism
- Scald hazard prevention
- Integral stops
- Crossflow prevention
- 1/2" NPT connections
- Filter screens
- Single outlet
- Less volume control



Codes/Standards Applicable

Specified model meets or exceeds the following:

- ASSE 1016
- ASME A112.18.1/CSA B125.1

Colors/Finishes

- NA: None applicable

Accessories

- NA: None applicable

Specified Model

Model	Description	Colors/Finishes
K-2972-KS	1/2" thermostatic mixer - less volume control	<input type="checkbox"/> NA
Required Accessories		
K-2974-K	1/2" volume control valve - for use on bath and shower outlets	<input type="checkbox"/> NA
Optional Accessories		
K-9663	Twin ell - for use with diverter bath spouts only	<input type="checkbox"/> NA

Product Specification

The thermostatic mixer less volume control shall have a forged brass valve body. Product shall feature single-handle temperature control, high-temperature limit stop for added safety, and temperature-balancing mechanism. Product shall feature integral stops, crossflow prevention, filter screens, and scald hazard prevention. Product shall have 1/2" NPT connections. The thermostatic mixer shall be Kohler Model K-2972-KS-NA and the required volume control valve shall be K-2974-K-NA.

MASTERSHOWER®

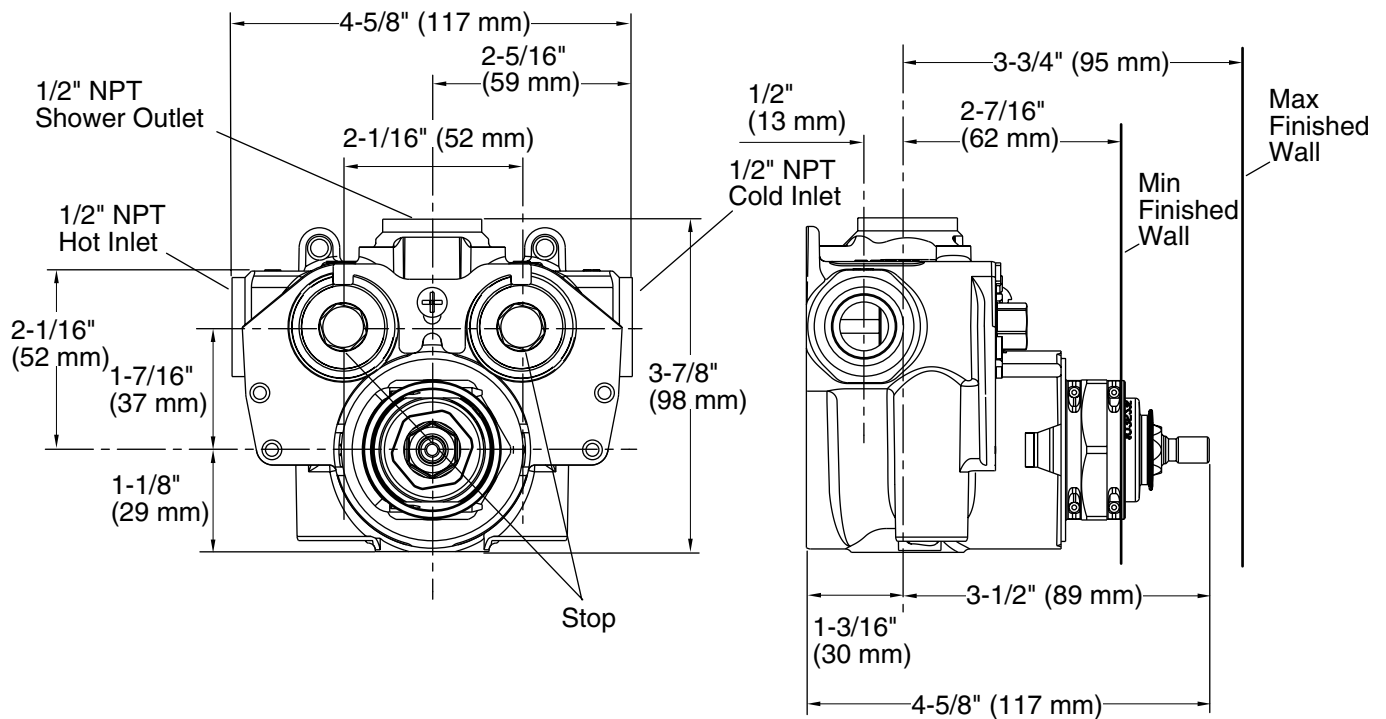
Installation Notes

Install this product according to the installation guide.

The K-2972-KS thermostatic mixer valve requires a separate volume control valve, K-2974-K, for each bath and/or shower outlet.

For bath-only installations, valve may be installed upside down.

For installations with a diverter spout, a twin ell, K-9663, is required between the valve and the spout. It is acceptable for the supply to the K-9663 twin ell to run from the top port through the volume control valve.



Product Diagram

WATERTILE™ ROUND

Features

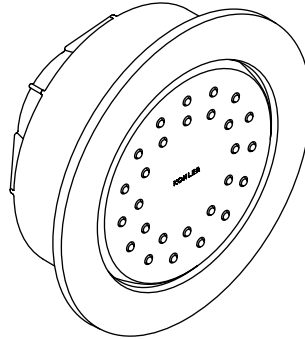
- 1/2" NPT connections
- Available 27- or 54-nozzle configurations
- 2 gallons (7.6 L) per minute flow rate (at 80 psi)

BODYSPRAY
K-8013
ALSO K-8014

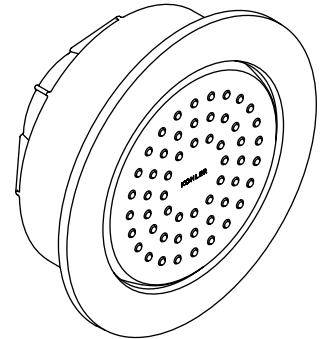
Codes/Standards Applicable

Specified model meets or exceeds the following:

- IAPMO/cUPC
- ASME A112.18.1/CSA B125.1
- Energy Policy Act of 1992



K-8013



K-8014

Colors/Finishes

- CP: Polished Chrome
- Other: Refer to Price Book for additional colors/finishes

Specified Model

Model	Description	Colors/Finishes	
K-8013	27-nozzle bodyspray	<input type="checkbox"/> CP	<input type="checkbox"/> Other_____
K-8014	54-nozzle bodyspray	<input type="checkbox"/> CP	<input type="checkbox"/> Other_____

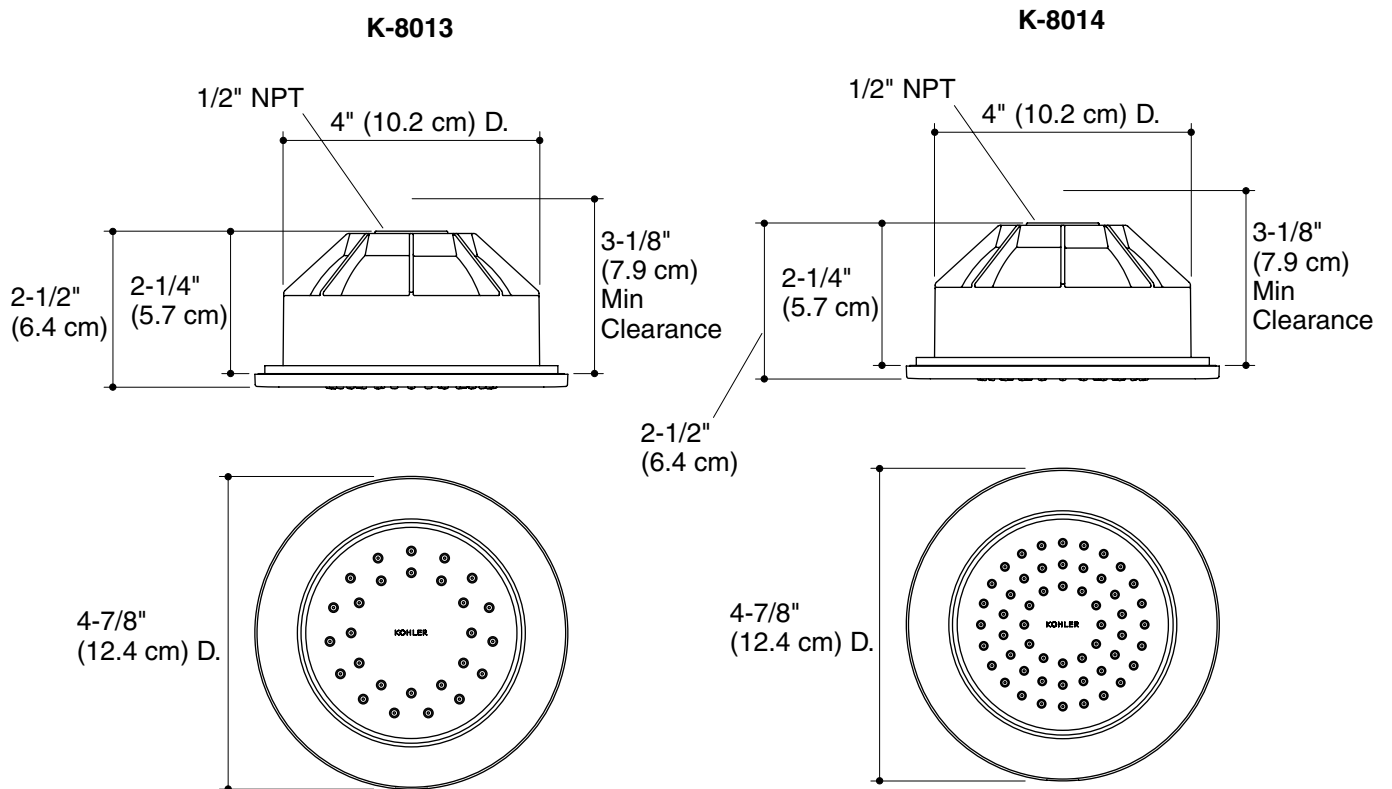
Product Specification

Bodyspray shall feature 27-nozzle or 54-nozzle spray configurations. Product flow rate shall be 2 gallons (7.6 L) per minute maximum at 80 psi. Bodyspray shall have 1/2" NPT connection. Bodyspray shall be Kohler Model K-____-____.

WATERTILE™ ROUND

Installation Notes

Install this product according to the installation guide.



Product Diagram

Features

- Brass construction
- Front seal plate assembly
- Handle assembly

THERMOSTATIC FAUCET TRIM

K-T8982

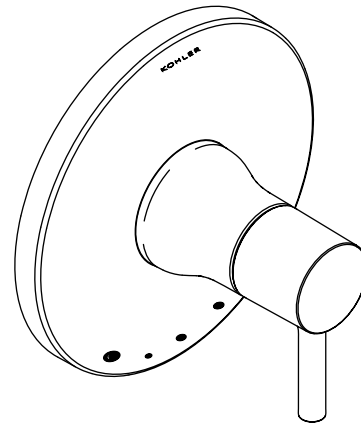
ALSO K-T8983, K-T8984

ADA

Codes/Standards Applicable

Specified model meets or exceeds the following:

- ADA
- ICC/ANSI A117.1
- ASME A112.18.1/CSA B125.1
- ASSE 1016



Colors/Finishes

- CP: Polished Chrome
- Other: Refer to Price Book for additional colors/finishes

Accessories

- NA: None applicable

Specified Model

Model	Description	Colors/Finishes	
K-T8982-4	Thermostatic valve trim (shown)	<input type="checkbox"/> CP	<input type="checkbox"/> Other ____
K-T8983-4	Volume control trim	<input type="checkbox"/> CP	<input type="checkbox"/> Other ____
K-T8984-4	Transfer valve trim	<input type="checkbox"/> CP	<input type="checkbox"/> Other ____

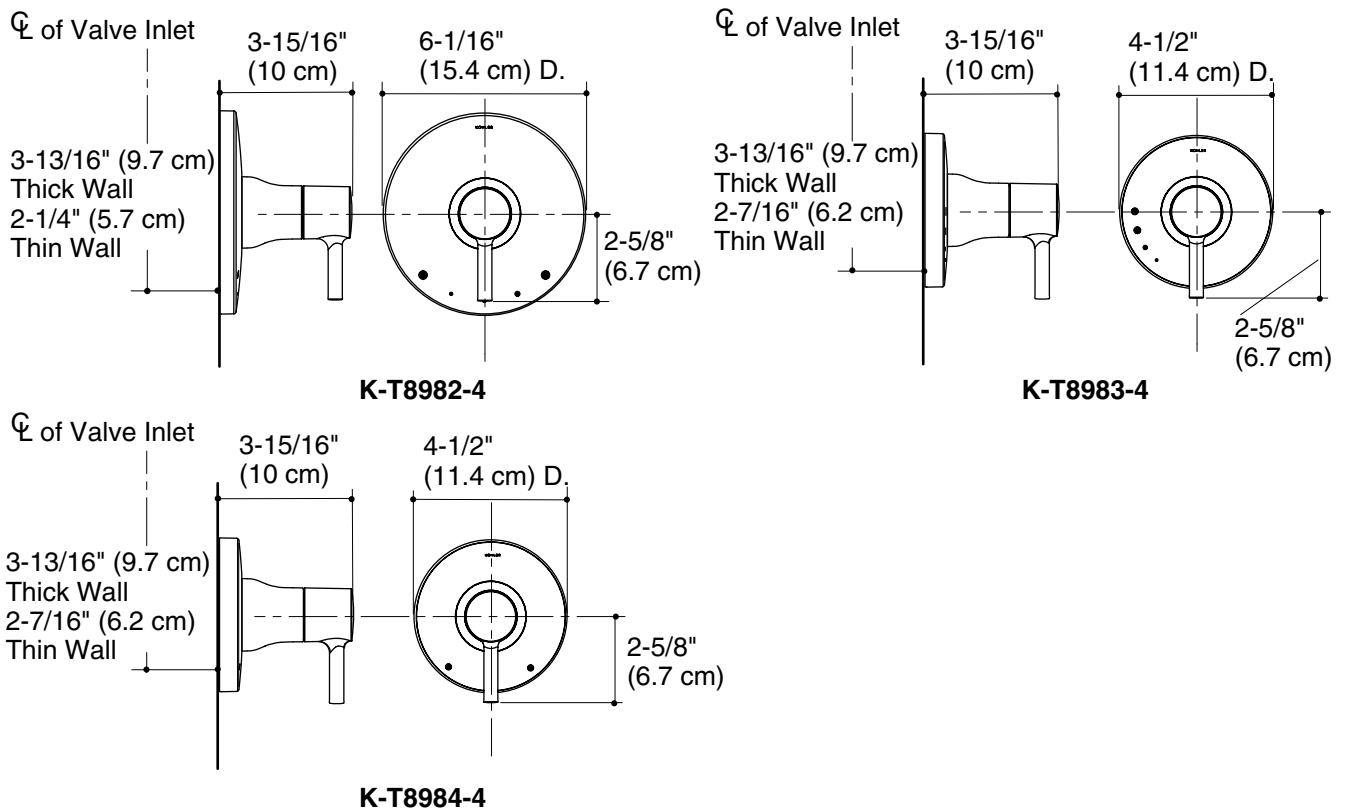
Required Accessories			
K-669-KS	3/4" thermostatic valve		<input type="checkbox"/> NA
K-671-K	3/4" volume control		<input type="checkbox"/> NA
K-728-K	3/4" transfer valve		<input type="checkbox"/> NA
K-679-KS	1/2" thermostatic valve		<input type="checkbox"/> NA
K-681-K	1/2" volume control		<input type="checkbox"/> NA

Product Specification

Thermostatic faucet trim shall be made of brass construction. Trim shall include front seal plate assembly and handle assembly. Faucet trim shall be Kohler Model K-T____-4-____ and thermostatic valving shall be K-____-____-NA.

Installation Notes

Install this product according to the installation guide.



Product Diagram