

**Features**

- Brass construction
- Available with cross or lever handles
- Front seal plate assembly
- Handle assembly
- Complements Purist® Suite

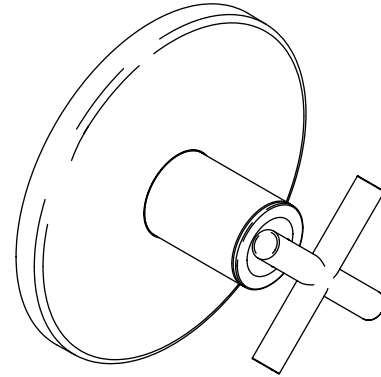
**THERMOSTATIC FAUCET TRIM**  
**K-T14488**  
**ALSO K-T14489, K-T14490, K-T14491**

ADA

**Codes/Standards Applicable**

Specified model meets or exceeds the following:

- ASME A112.18.1
- CSA B125
- IAPMO/UPC
- ADA



**Colors/Finishes**

- CP: Polished Chrome
- Other: Refer to Price Book for additional colors/finishes
- NA: None applicable

**Specified Model**

For complete faucet, both faucet trim and valving must be specified.			
Model	Description	Colors/Finishes	
K-T14488-3	Thermostatic valve trim, cross handle	<input type="checkbox"/> CP	<input type="checkbox"/> Other ____
K-T14488-4	Thermostatic valve trim, lever handle	<input type="checkbox"/> CP	<input type="checkbox"/> Other ____
K-T14489-4	Stacked thermostatic valve trim. lever handle <b>only</b>	<input type="checkbox"/> CP	<input type="checkbox"/> Other ____
K-T14490-3	Volume control trim, cross handle	<input type="checkbox"/> CP	<input type="checkbox"/> Other ____
K-T14490-4	Volume control trim, lever handle	<input type="checkbox"/> CP	<input type="checkbox"/> Other ____
K-T14491-3	Transfer valve trim, cross handle	<input type="checkbox"/> CP	<input type="checkbox"/> Other ____
K-T14491-4	Transfer valve trim, lever handle	<input type="checkbox"/> CP	<input type="checkbox"/> Other ____

Required Accessory (continued on page 2)		
K-669-KS	3/4" Thermostatic valve	<input type="checkbox"/> NA
K-670-KS	3/4" Stacked thermostatic valve	<input type="checkbox"/> NA
K-671-K	3/4" Volume control	<input type="checkbox"/> NA
K-672-K	3/4" Transfer valve	<input type="checkbox"/> NA
K-679-KS	1/2" Thermostatic valve	<input type="checkbox"/> NA

**Product Specification**

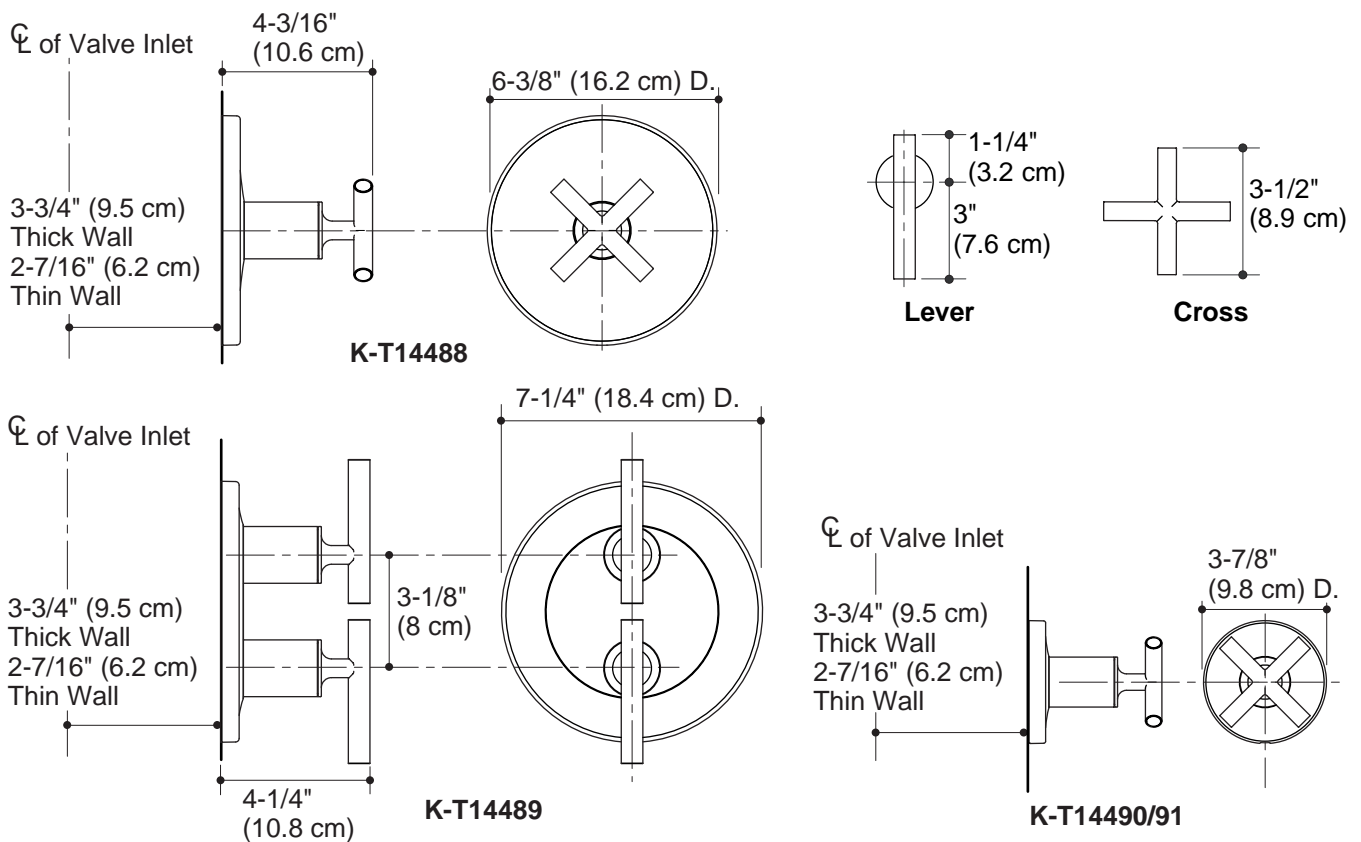
Thermostatic faucet trim shall be of brass construction. Trim shall include front seal plate assembly and handle assembly. Product shall be available with cross or lever handles. Thermostatic faucet trim shall complement the Purist® Suite. Faucet trim shall be Kohler Model K-T\_\_\_\_-\_\_\_\_-\_\_\_\_ and thermostatic valving shall be K-\_\_\_\_-\_\_\_\_-NA.

# PURIST®

K-680-KS	1/2" Stacked thermostatic valve	<input type="checkbox"/> NA
K-681-K	1/2" Volume control	<input type="checkbox"/> NA

## Installation Notes

Install this product according to the installation guide.



## Product Diagram

**Features**

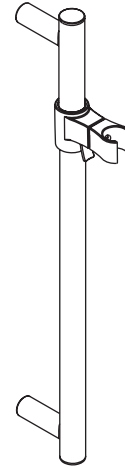
- Metal construction

**Codes/Standards Applicable**

Specified model meets or exceeds the following:

- None applicable

**SLIDE BAR**  
**K-8524**  
**ALSO K-9069**



**Colors/Finishes**

- CP: Polished Chrome
- Other: Refer to Price Book for additional colors/finishes

**Specified Model**

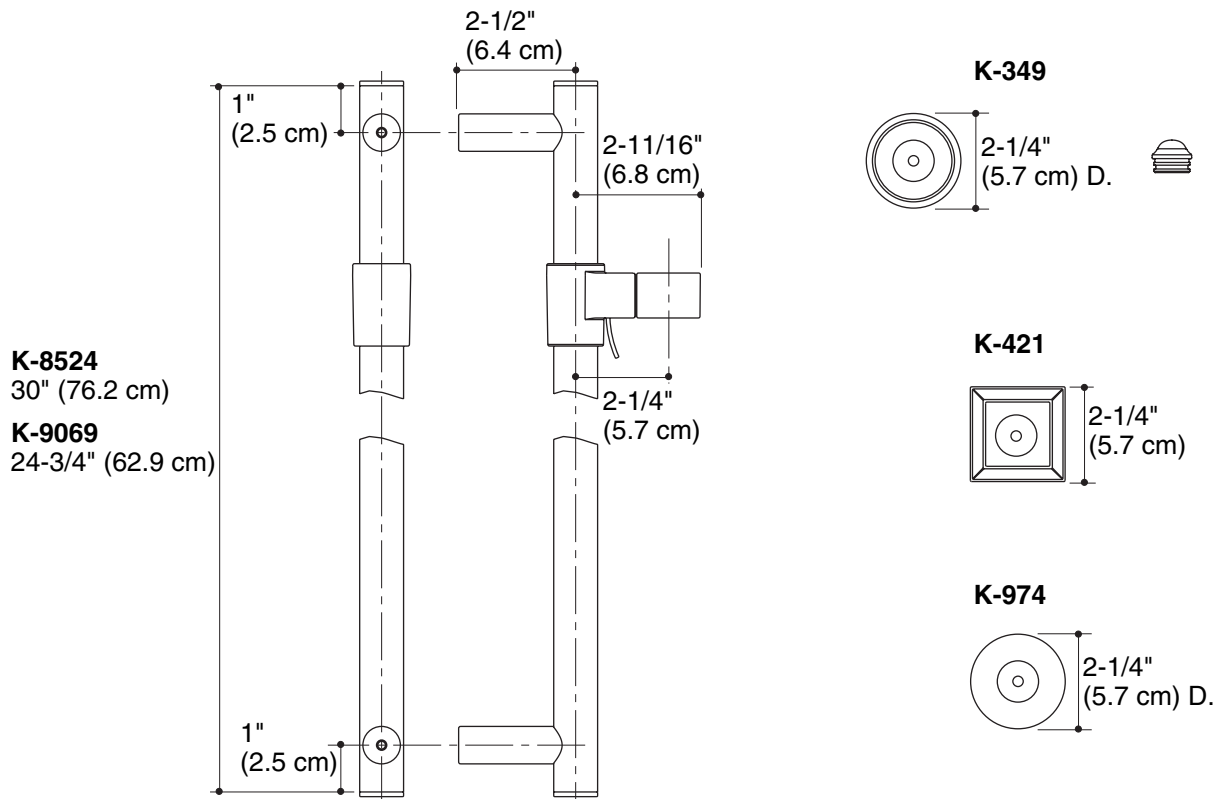
Model	Description	Colors/Finishes	
K-8524	Slide bar - 30" (76.2 cm)	<input type="checkbox"/> CP	<input type="checkbox"/> Other ____
K-9069	Slide bar - 24-3/4" (62.9 cm)	<input type="checkbox"/> CP	<input type="checkbox"/> Other ____
Optional Accessories			
K-349	Forté <sup>®</sup> /Bancroft <sup>™</sup> slide bar trim	<input type="checkbox"/> CP	<input type="checkbox"/> Other ____
K-421	Memoirs <sup>®</sup> slide bar trim	<input type="checkbox"/> CP	<input type="checkbox"/> Other ____
K-974	Stillness <sup>®</sup> slide bar trim	<input type="checkbox"/> CP	<input type="checkbox"/> Other ____

**Product Specification**

Slide bar shall be of metal construction. Product shall be Kohler Model K-\_\_\_\_-\_\_\_\_.

## Installation Notes

Install this product according to the installation guide.



Product Diagram

**WATERTILE™ ROUND**

**Features**

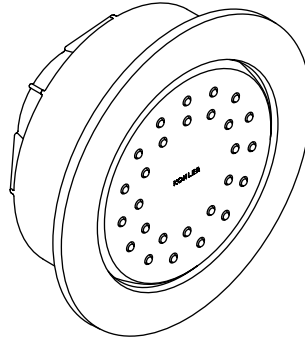
- 1/2" NPT connections
- Available 27- or 54-nozzle configurations
- 2 gallons (7.6 L) per minute flow rate (at 80 psi)

**BODYSPRAY**  
**K-8013**  
**ALSO K-8014**

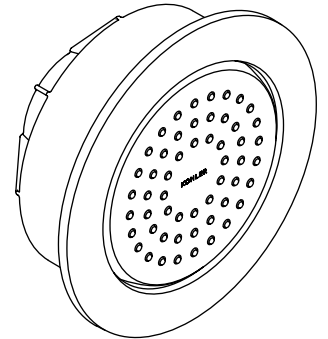
**Codes/Standards Applicable**

Specified model meets or exceeds the following:

- IAPMO/cUPC
- ASME A112.18.1/CSA B125.1
- Energy Policy Act of 1992



**K-8013**



**K-8014**

**Colors/Finishes**

- CP: Polished Chrome
- Other: Refer to Price Book for additional colors/finishes

**Specified Model**

Model	Description	Colors/Finishes	
K-8013	27-nozzle bodyspray	<input type="checkbox"/> CP	<input type="checkbox"/> Other_____
K-8014	54-nozzle bodyspray	<input type="checkbox"/> CP	<input type="checkbox"/> Other_____

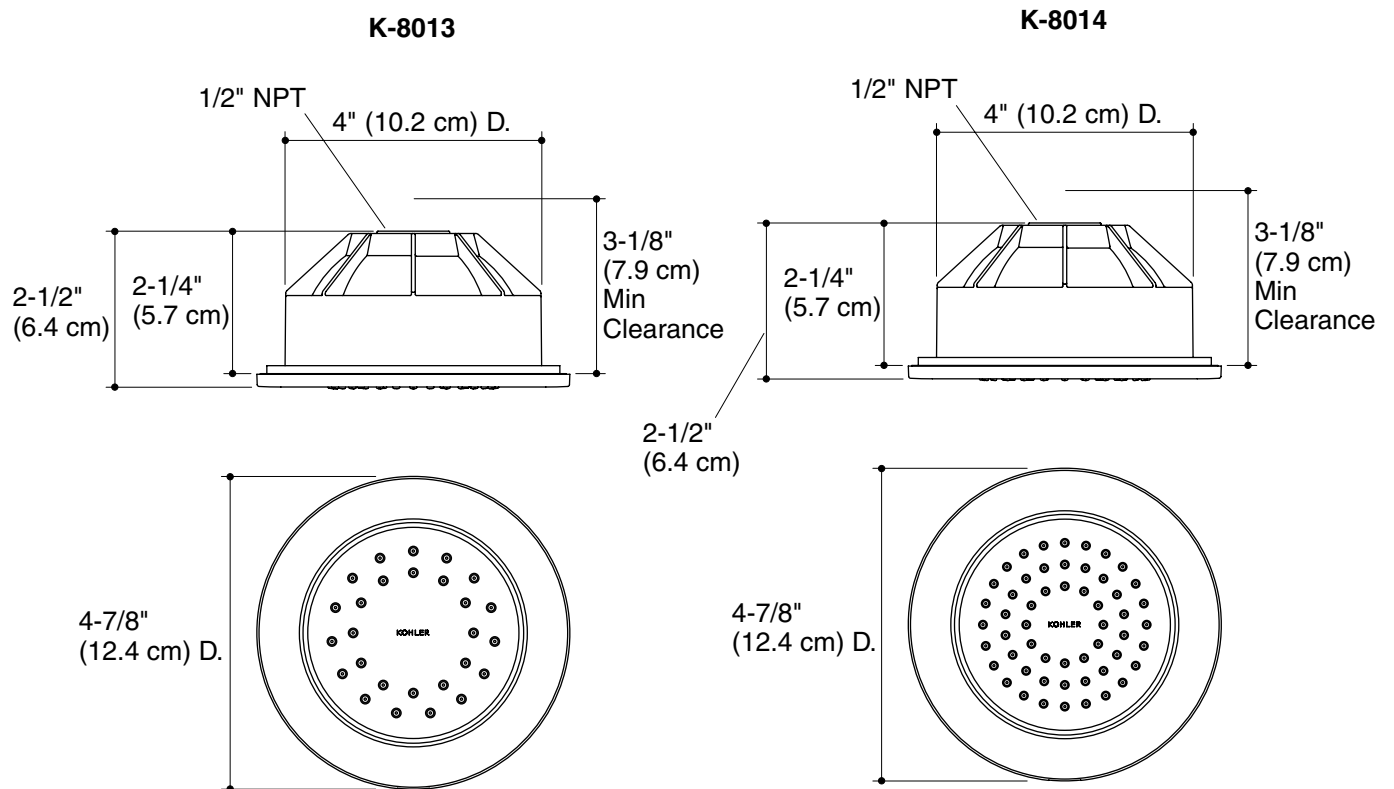
**Product Specification**

Bodyspray shall feature 27-nozzle or 54-nozzle spray configurations. Product flow rate shall be 2 gallons (7.6 L) per minute maximum at 80 psi. Bodyspray shall have 1/2" NPT connection. Bodyspray shall be Kohler Model K-\_\_\_\_-\_\_\_\_.

# WATERTILE™ ROUND

## Installation Notes

Install this product according to the installation guide.



## Product Diagram

**Features**

- Brass construction
- 1/2" - 14 NPT connection
- Wall-mount flange

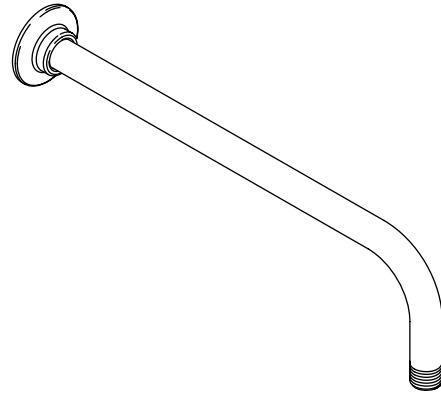
**Codes/Standards Applicable**

Specified model meets or exceeds the following:

- ASME A112.18.1

**RIGHT-ANGLE SHOWER ARM AND FLANGE**

**K-10124**



**Colors/Finishes**

- CP: Polished Chrome

**Specified Model**

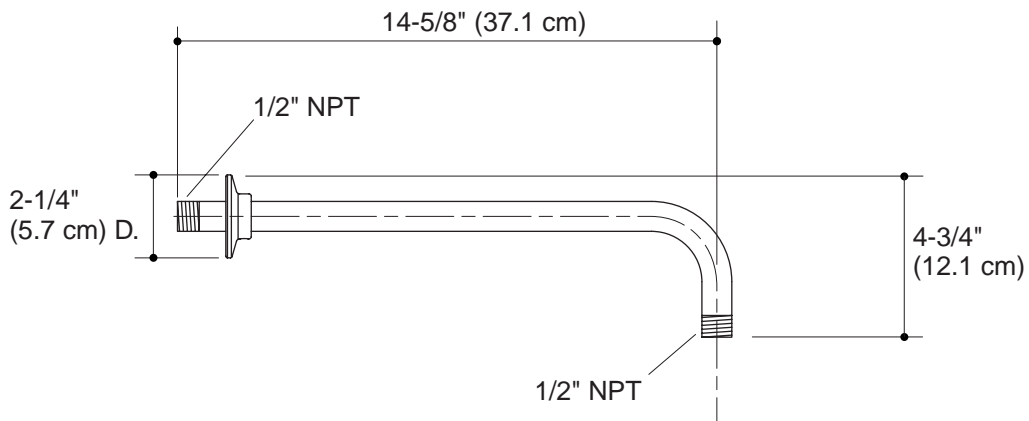
Model	Description	Color/Finish
K-10124	Right-angle shower arm and flange	<input type="checkbox"/> CP

**Product Specification**

Shower arm shall be of brass pipe construction. Product shall have 1/2"-14 NPT thread at both ends. Product shall have wall-mount flange. Shower arm shall be Kohler Model K-10124-\_\_\_\_\_.

## Installation Notes

Install this product according to the installation guide.



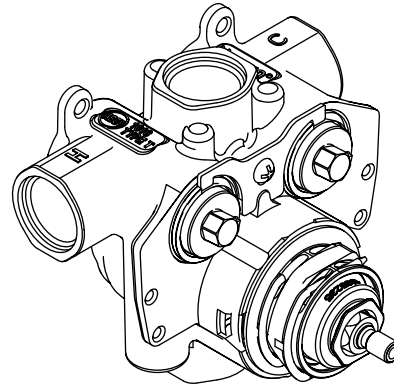
### Product Diagram



**3/4" THERMOSTATIC MIXER  
K-2975-KS**

**Features**

- Forged brass valve body
- Single-handle temperature control
- High-flow valving
- High-temperature limit setting for added safety
- Temperature-balancing mechanism
- Scald hazard prevention
- Integral stops
- Crossflow prevention
- 3/4" NPT connections
- Filter screens
- Dual outlet (Bath – bottom, shower – top)
- Less volume control



**Codes/Standards Applicable**

Specified model meets or exceeds the following:

- ASSE 1016
- ASME A112.18.1/CSA B125.1

**Colors/Finishes**

- NA: None applicable

**Accessories**

- NA: None applicable

**Specified Model**

Model	Description	Colors/Finishes
K-2975-KS	3/4" thermostatic mixer - less volume control	<input type="checkbox"/> NA
<b>Required Accessories</b>		
K-2974-K	1/2" volume control valve - for use on bath and shower outlets	<input type="checkbox"/> NA
K-2977-K	3/4" volume control valve - for use on bath and shower outlets	<input type="checkbox"/> NA
<b>Optional Accessories</b>		
K-9663	Twin ell - for use with diverter bath spouts only	<input type="checkbox"/> NA

**Product Specification**

The thermostatic mixer less volume control shall have a forged brass valve body. Product shall feature single-handle temperature control, high-flow valving, high-temperature limit stop for added safety, and temperature-balancing mechanism. Product shall feature integral stops, crossflow prevention, filter screens, and scald hazard prevention. Product shall have 3/4" NPT connections. Product shall have two outlets, the bottom one for bath and the top one for shower. The thermostatic mixer shall be Kohler Model K-2975-KS-NA and the required volume control valve shall be K-\_\_\_\_-K-NA.

# MASTERSHOWER®

## Installation Notes

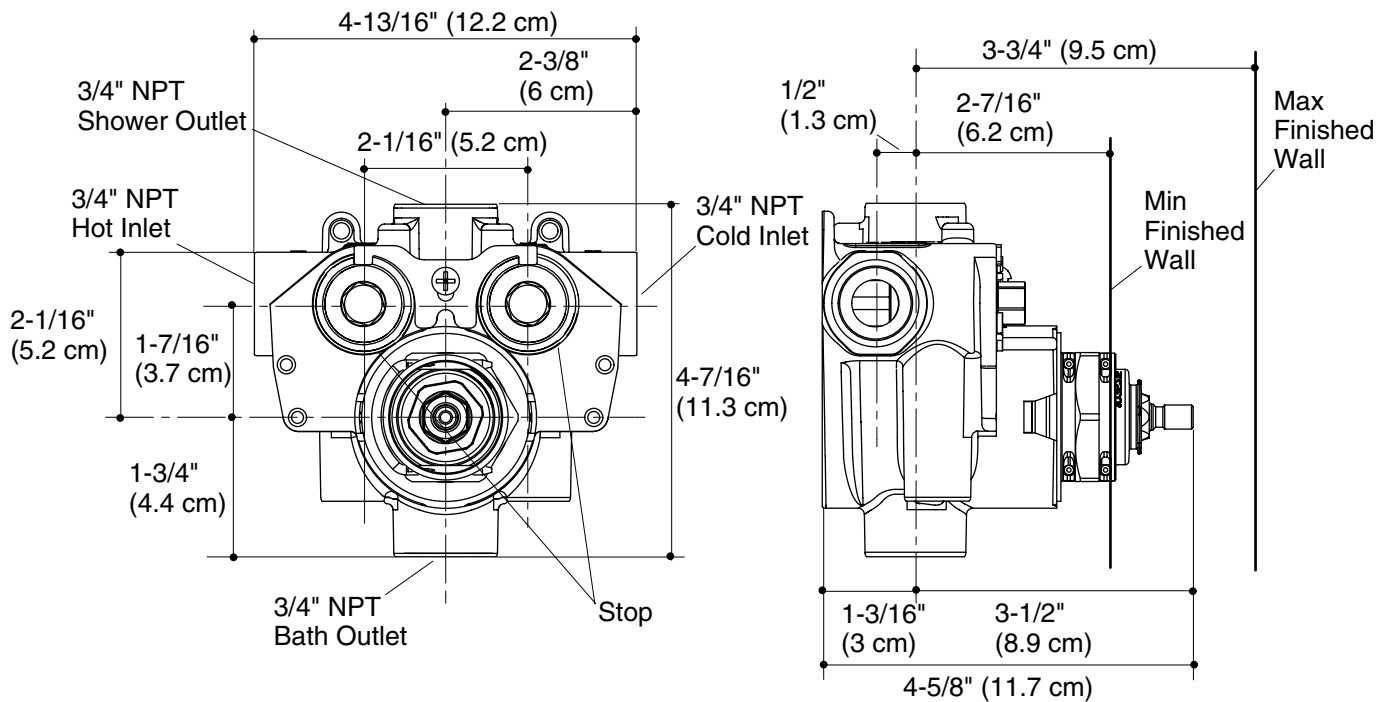
Install this product according to the installation guide.

The K-2975-KS thermostatic mixer valve requires a separate volume control valve, K-2974-K or K-2977-K, for each bath and/or shower outlet.

For bath-only or shower-only installations, an NPT plug must be installed in any unused outlet.

The lower port of the thermostatic mixer is intended for use with a bath spout only. If a bath spout is not used with this product, the lower port must be plugged.

For installations with a diverter spout, a twin ell, K-9663, is required between the valve and the spout. It is acceptable for the supply to the K-9663 twin ell to run from the top or bottom port through the volume control valve if the remaining unused port is plugged.



## Product Diagram

**Features**

- Brass construction
- Available with cross or lever handles
- Front seal plate assembly
- Handle assembly
- Complements Purist® Suite

**THERMOSTATIC TRIM SET  
K-T14488**

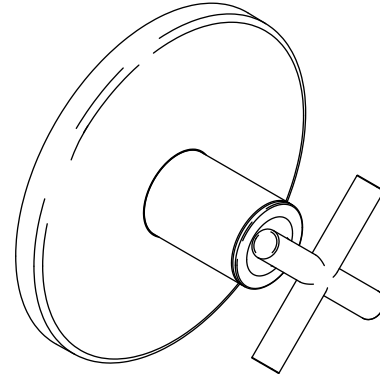
**ALSO K-T14489, K-T14490, K-T14491**

**ADA**

**Codes/Standards Applicable**

Specified model meets or exceeds the following:

- ADA
- ASME A112.18.1/CSA B125.1
- ICC/ANSI A117.1



**Colors/Finishes**

- CP: Polished Chrome
- Other: Refer to Price Book for additional colors/finishes

**Accessories:**

- NA: None applicable

**Specified Model**

For complete faucet, both faucet trim and valving must be specified.			
Model	Description	Colors/Finishes	
K-T14488-3	Thermostatic valve trim, cross handle	<input type="checkbox"/> CP	<input type="checkbox"/> Other _____
K-T14488-4	Thermostatic valve trim, lever handle	<input type="checkbox"/> CP	<input type="checkbox"/> Other _____
K-T14489-4	Stacked thermostatic valve trim, lever handle <b>only</b>	<input type="checkbox"/> CP	<input type="checkbox"/> Other _____
K-T14490-3	Volume control trim, cross handle	<input type="checkbox"/> CP	<input type="checkbox"/> Other _____
K-T14490-4	Volume control trim, lever handle	<input type="checkbox"/> CP	<input type="checkbox"/> Other _____
K-T14491-3	Transfer valve trim, cross handle	<input type="checkbox"/> CP	<input type="checkbox"/> Other _____
K-T14491-4	Transfer valve trim, lever handle	<input type="checkbox"/> CP	<input type="checkbox"/> Other _____

<b>Required Accessories</b> (continued on page 2)		
K-2972-KS (replaces K-679-KS)	1/2" Thermostatic valve	<input type="checkbox"/> NA
K-2973-KS (replaces K-680-KS)	1/2" Stacked thermostatic valve	<input type="checkbox"/> NA
K-2974-K (replaces K-681-K)	1/2" Volume control	<input type="checkbox"/> NA
K-2975-KS (replaces K-669-KS)	3/4" Thermostatic valve	<input type="checkbox"/> NA

**Product Specification**

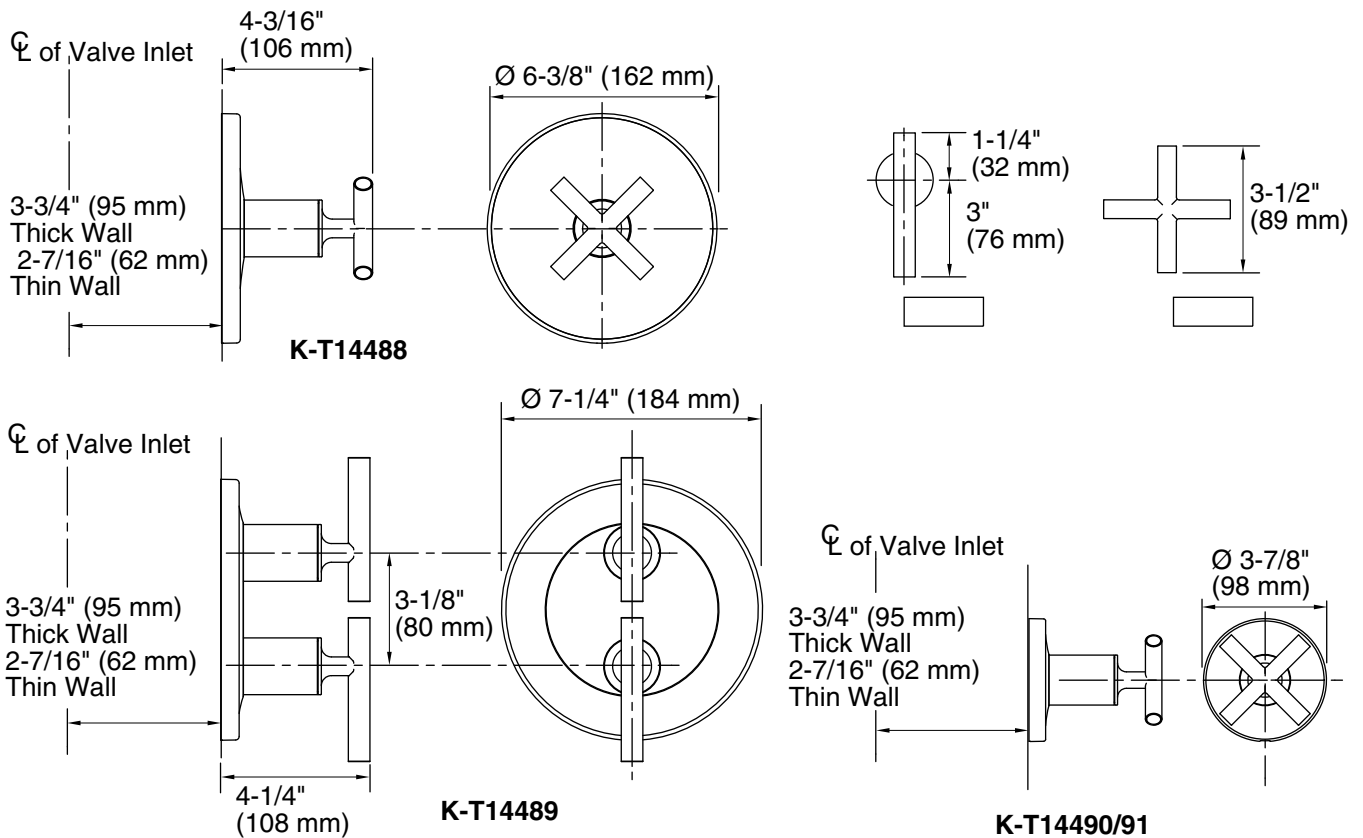
Thermostatic trim set shall be of brass construction. Trim shall include front seal plate assembly and handle assembly. Product shall be available with cross or lever handles. Thermostatic trim set shall complement the Purist® Suite. Ttrim shall be Kohler Model K-T\_\_\_\_-\_\_\_\_-\_\_\_\_ and thermostatic valving shall be K-\_\_\_\_-\_\_\_\_-NA.

# PURIST®

Required Accessories (Cont.)		
K-2976-KS (replaces K-670-KS)	3/4" Stacked thermostatic valve	<input type="checkbox"/> NA
K-2977-K (replaces K-671-K)	3/4" Volume control	<input type="checkbox"/> NA
K-728-K	3/4" Transfer valve	<input type="checkbox"/> NA
K-737-K	3/4" Diverter valve	<input type="checkbox"/> NA

## Installation Notes

Install this product according to the installation guide.



## Product Diagram