

### Features

- Includes valve body, pressure balance cartridge, rough-in guide and mud guard
- 1/2" Universal NPT & direct sweat inlets & outlets, with stops
- Service stops include integral check valves
- 5.0 gpm (18.9 l/min) maximum flow rate at 45 psi
- Single lever design cycles from off through cold to hot
- Provides temperature regulation and automatic anti-scald protection
- One piece cartridge design simplifies installation and maintenance
- Adjustable high temperature limit stop to control maximum water temperature
- Requires valve trim to complete installation (sold separately).

### Material

- Forged De-zincification Resistant Brass body provides long term reliability and resistance to aggressive water conditions

### Technology

- Pressure-balancing diaphragm technology maintains outlet temperature within +/- 3 degrees Fahrenheit during water pressure fluctuations

### Installation

- Designed for use in standard, back to back and thin wall installations
- Valve body features integral mounting locations and symmetrical valve inlets to simplify installation
- Cartridge is reversible for installations where hot and cold supplies are reversed.
- Rough-in guide designed for both standard and thin wall installations
- Installed valve rough-in can be flushed and pressure tested to 150psi max (air or water) without cartridge, using K-10351 Test Cap

### Optional Accessories

- K-10350 Deep Rough-In Kit For K-8305 Cartridges
- K-10351 Test Cap For K-8300 Series Valve Bodies

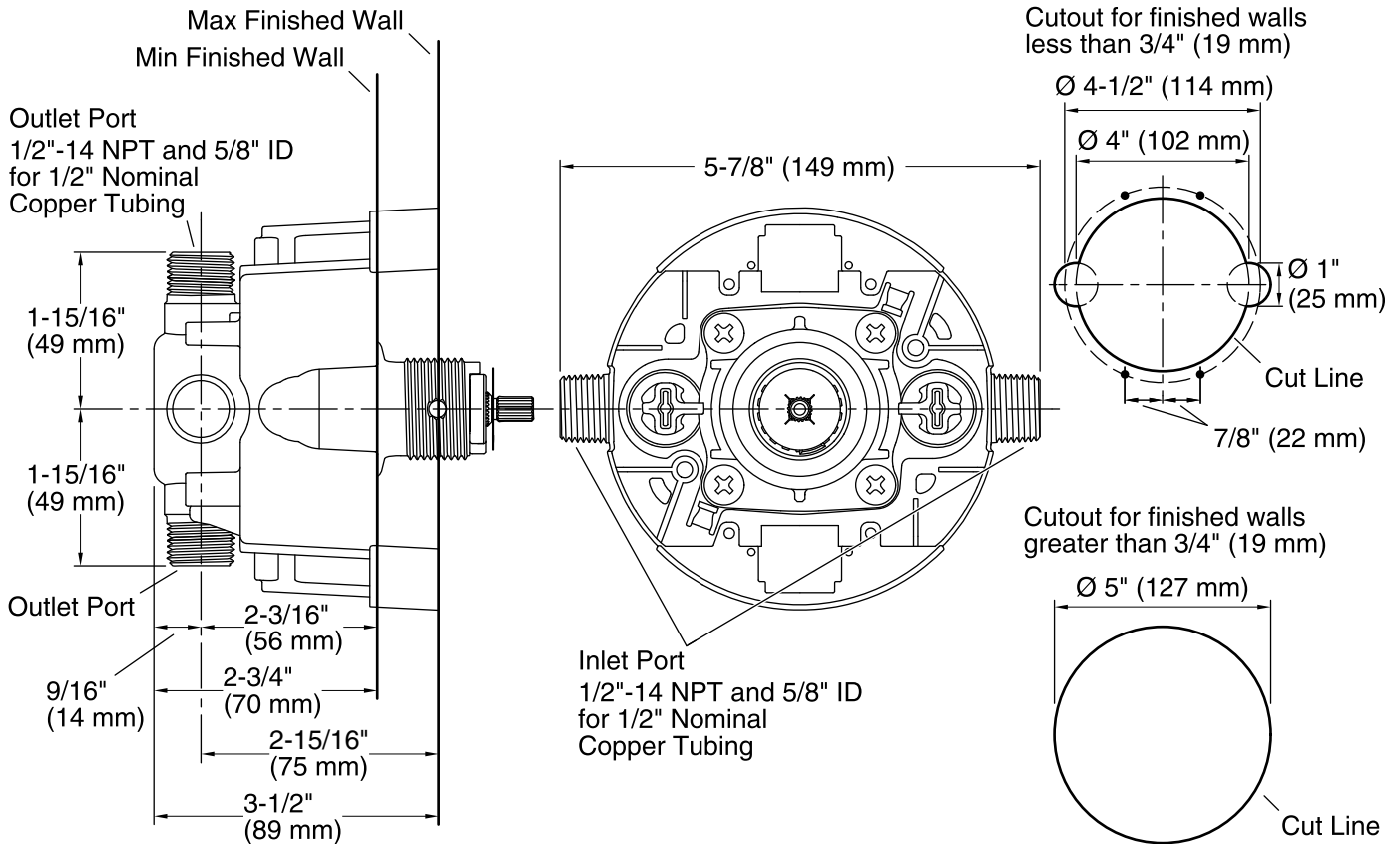


### Codes/Standards

ASME A112.18.1/CSA B125.1  
ASSE 1016

### KOHLER® Faucet Lifetime Limited Warranty

See website for detailed warranty information.



### Technical Information

All product dimensions are nominal.

Valve body: Machined Brass

### Shower Valve:

Min. pressure IN: 20 psi (1.4 bar)

### Notes

Install this product according to the installation guide.

Avoid cross-flow conditions. Do not install shut-off device on either valve outlet.

Cap the shower outlet if deck-mount spout, diverter, or handshower is connected to the spout outlet.

Install straight pipe or tube drop of 7" (178 mm) to 18" (457 mm) with single elbow between the valve and wall-mount spout.

For finished walls greater than 3/4" (19 mm) and less than 1-1/2" (38 mm), install support(s) 2" (51 mm) from the stud face.

For finished walls greater than 1-1/2" (38 mm), install support(s) 3" (76 mm) from the face of the finished wall.

**FEATURES**

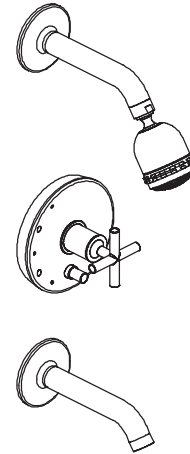
- Brass construction
- Available with cross and lever handles
- Push button diverter
- 35° and 90° spouts

**BATH AND SHOWER FAUCET TRIM**

**K-T14420**

**ALSO K-T14421, K-T14422, K-T14423,  
K-14424, K-14426, K-14427**

**ADA**



**CODES/STANDARDS APPLICABLE**

Specified model meets or exceeds the following:

- ASME/ANSI A112.18.1M
- ASSE/ANSI 1016
- CSA B125 (K-T16115, K-T6116)
- IAPMO/UPC (K-T16115, K-T6116)

**COLORS/FINISHES**

- CP Polished Chrome
- Other Refer to Faucets Price Book for additional finishes

**SPECIFIED MODEL:** For complete faucet, both faucet trim and Rite-Temp valve must be specified.

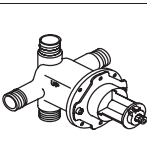
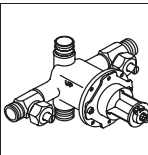
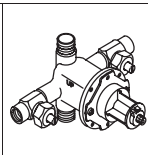
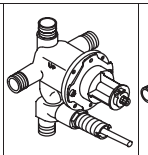
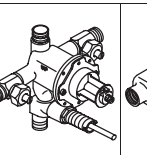

Model	Description		
K-T14420-3	Bath and Shower Trim, Cross Handle and 35° Spout (shown)	<input type="checkbox"/> CP	<input type="checkbox"/> Other____
K-T14420-4	Bath and Shower Trim, Lever Handle and 35° Spout	<input type="checkbox"/> CP	<input type="checkbox"/> Other____
K-T14421-3	Bath and Shower Trim, Cross Handle and 90° Spout	<input type="checkbox"/> CP	<input type="checkbox"/> Other____
K-T14421-4	Bath and Shower Trim, Lever Handle and 90° Spout	<input type="checkbox"/> CP	<input type="checkbox"/> Other____
K-T14422-3	Shower Only Trim, Cross Handle	<input type="checkbox"/> CP	<input type="checkbox"/> Other____
K-T14422-4	Shower Only Trim, Lever Handle	<input type="checkbox"/> CP	<input type="checkbox"/> Other____
K-T14423-3	Non-Diverter Valve Only Trim, Cross Handle	<input type="checkbox"/> CP	<input type="checkbox"/> Other____
K-T14423-4	Non-Diverter Valve Only Trim, Lever Handle	<input type="checkbox"/> CP	<input type="checkbox"/> Other____
K-14424	Showerhead, Arm and Flange	<input type="checkbox"/> CP	<input type="checkbox"/> Other____
K-14426	35° Bath Spout	<input type="checkbox"/> CP	<input type="checkbox"/> Other____
K-14427	90° Bath Spout	<input type="checkbox"/> CP	<input type="checkbox"/> Other____

**Required Accessory on Page 2.**

**PRODUCT SPECIFICATION:**

Rite-Temp pressure-balancing single-control bath and shower faucet trim shall be of brass construction. Bath and shower trim shall include showerhead with arm and flange, non-diverter spout with N.P.T. connection, and faceplate with handle and push-button diverter. Shower only trim shall include showerhead with arm and flange, and faceplate with handle. Valve only trim shall include faceplate with handle. Faucet shall be K-\_\_\_\_-\_\_\_\_-\_\_\_\_ and Rite-Temp valve shall be K-\_\_\_\_-\_\_\_\_-NA.

# PURIST™

Required Accessory							
K-304-K	Rite-Temp Valve Without Stops	<input type="checkbox"/> NA					
K-304-KS	Rite-Temp Valve With Stops		<input type="checkbox"/> NA				
K-304-KP	Rite-Temp Valve With PVC Connections			<input type="checkbox"/> NA			
K-305-K	Rite-Temp Valve Without Stops				<input type="checkbox"/> NA		
K-305-KS	Rite-Temp Valve With Stops					<input type="checkbox"/> NA	
K-306-KS	HiFlow Rite-Temp Valve With Stops						<input type="checkbox"/> NA

## PRODUCT INFORMATION



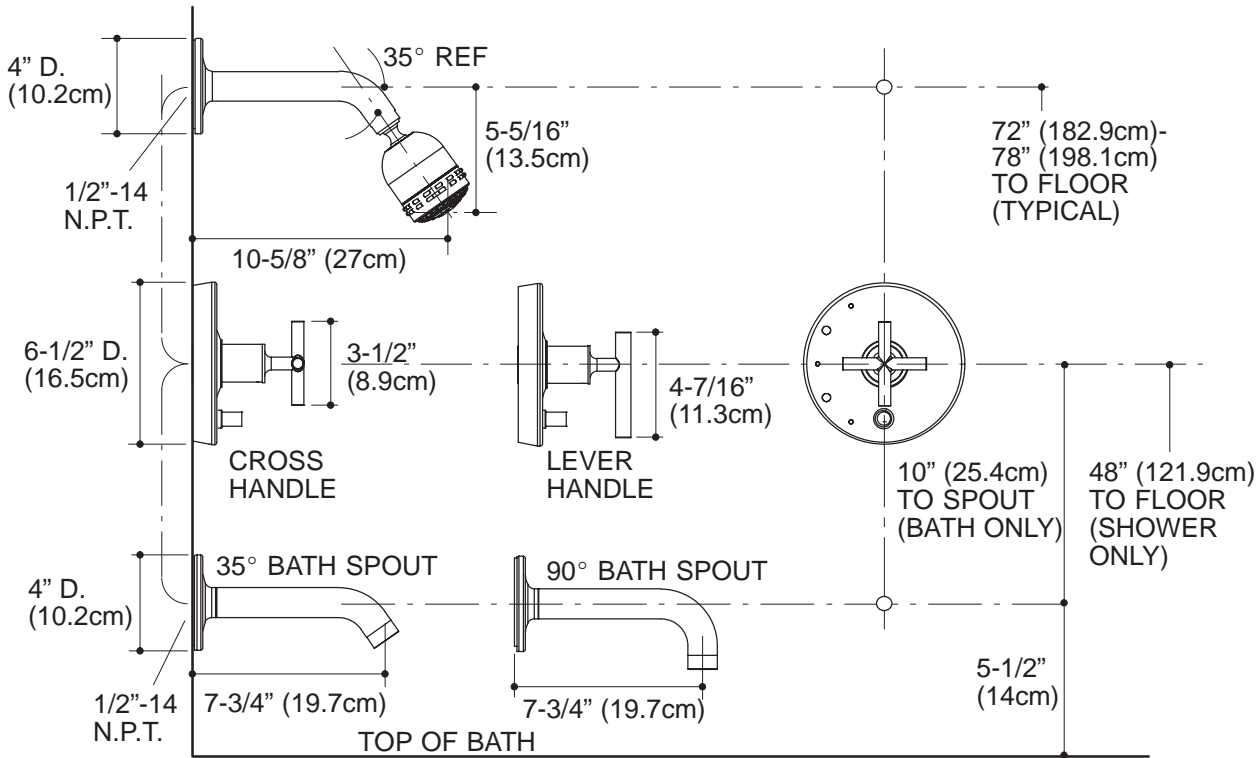
**WARNING: Risk of damage to the K-306-KS valve assembly.** When using the K-306-KS valve in a fiberglass or acrylic installation, use the thin wall installation kit (88526).

## INSTALLATION NOTES

Avoid cross-flow conditions. Do not install shut-off device on either valve outlet.

Cap shower outlet if deck-mount spout, diverter, or handshower is connected to spout outlet.

Install straight pipe or tube drop of 7" (17.8cm) to 18" (45.7cm) with single elbow between valve and wall-mount spout.



18

## PRODUCT DIAGRAM

**Features**

- Brass construction
- Available with cross or lever handles
- Front seal plate assembly
- Handle assembly
- Complements Purist® Suite

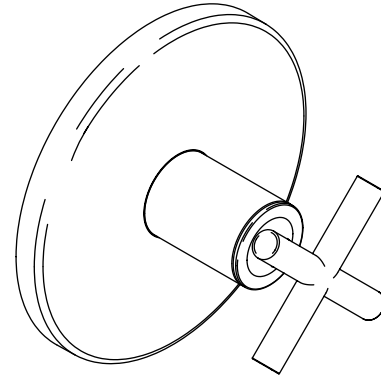
**THERMOSTATIC FAUCET TRIM**  
**K-T14488**  
**ALSO K-T14489, K-T14490, K-T14491**

ADA

**Codes/Standards Applicable**

Specified model meets or exceeds the following:

- ASME A112.18.1
- CSA B125
- IAPMO/UPC
- ADA



**Colors/Finishes**

- CP: Polished Chrome
- Other: Refer to Price Book for additional colors/finishes
- NA: None applicable

**Specified Model**

For complete faucet, both faucet trim and valving must be specified.			
Model	Description	Colors/Finishes	
K-T14488-3	Thermostatic valve trim, cross handle	<input type="checkbox"/> CP	<input type="checkbox"/> Other ____
K-T14488-4	Thermostatic valve trim, lever handle	<input type="checkbox"/> CP	<input type="checkbox"/> Other ____
K-T14489-4	Stacked thermostatic valve trim, lever handle <b>only</b>	<input type="checkbox"/> CP	<input type="checkbox"/> Other ____
K-T14490-3	Volume control trim, cross handle	<input type="checkbox"/> CP	<input type="checkbox"/> Other ____
K-T14490-4	Volume control trim, lever handle	<input type="checkbox"/> CP	<input type="checkbox"/> Other ____
K-T14491-3	Transfer valve trim, cross handle	<input type="checkbox"/> CP	<input type="checkbox"/> Other ____
K-T14491-4	Transfer valve trim, lever handle	<input type="checkbox"/> CP	<input type="checkbox"/> Other ____

Required Accessory (continued on page 2)		
K-669-KS	3/4" Thermostatic valve	<input type="checkbox"/> NA
K-670-KS	3/4" Stacked thermostatic valve	<input type="checkbox"/> NA
K-671-K	3/4" Volume control	<input type="checkbox"/> NA
K-672-K	3/4" Transfer valve	<input type="checkbox"/> NA
K-679-KS	1/2" Thermostatic valve	<input type="checkbox"/> NA

**Product Specification**

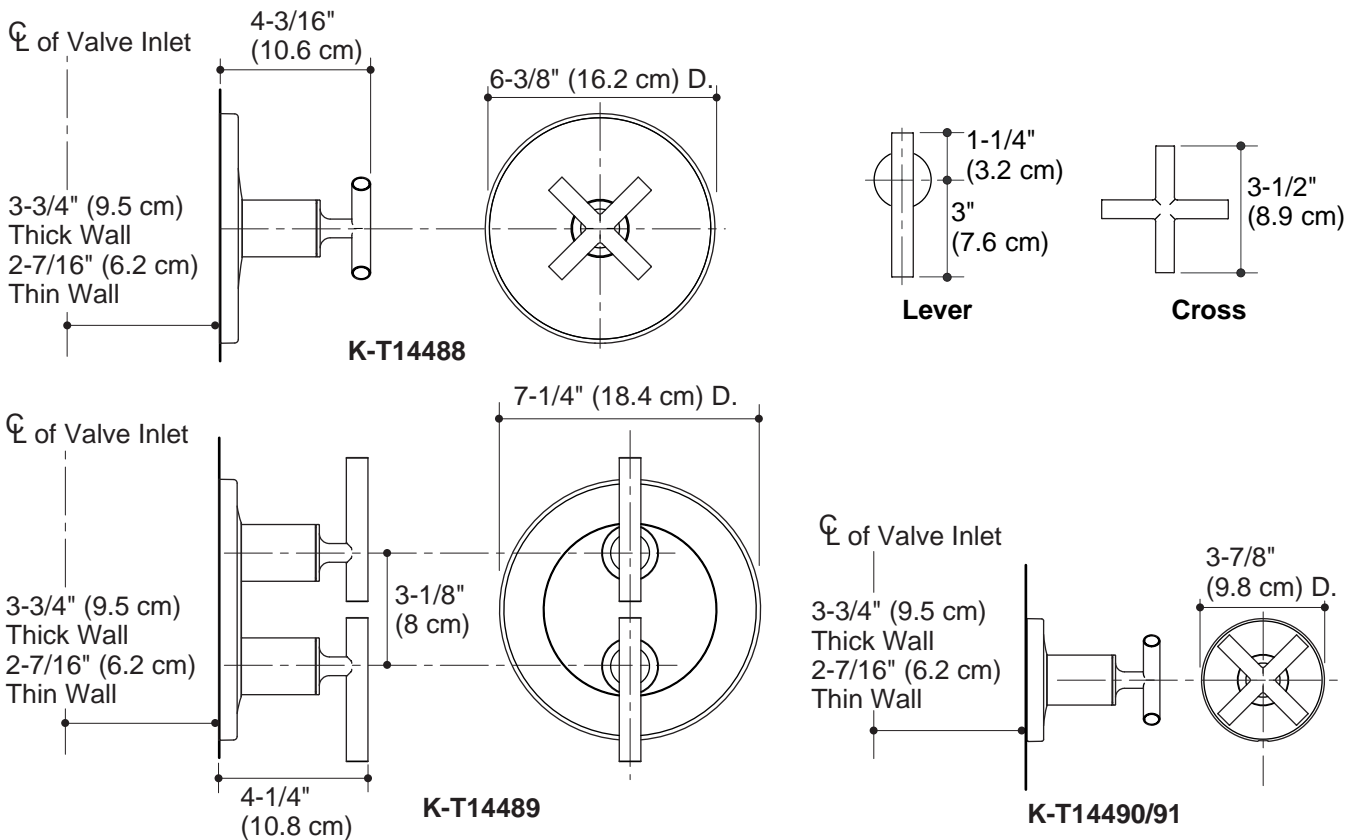
Thermostatic faucet trim shall be of brass construction. Trim shall include front seal plate assembly and handle assembly. Product shall be available with cross or lever handles. Thermostatic faucet trim shall complement the Purist® Suite. Faucet trim shall be Kohler Model K-T\_\_\_\_-\_\_\_\_-\_\_\_\_ and thermostatic valving shall be K-\_\_\_\_-\_\_\_\_-NA.

# PURIST®

K-680-KS	1/2" Stacked thermostatic valve	<input type="checkbox"/> NA
K-681-K	1/2" Volume control	<input type="checkbox"/> NA

## Installation Notes

Install this product according to the installation guide.



## Product Diagram

**Features**

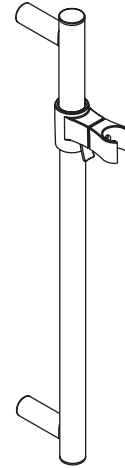
- Metal construction

**Codes/Standards Applicable**

Specified model meets or exceeds the following:

- None applicable

**SLIDE BAR**  
**K-8524**  
**ALSO K-9069**



**Colors/Finishes**

- CP: Polished Chrome
- Other: Refer to Price Book for additional colors/finishes

**Specified Model**

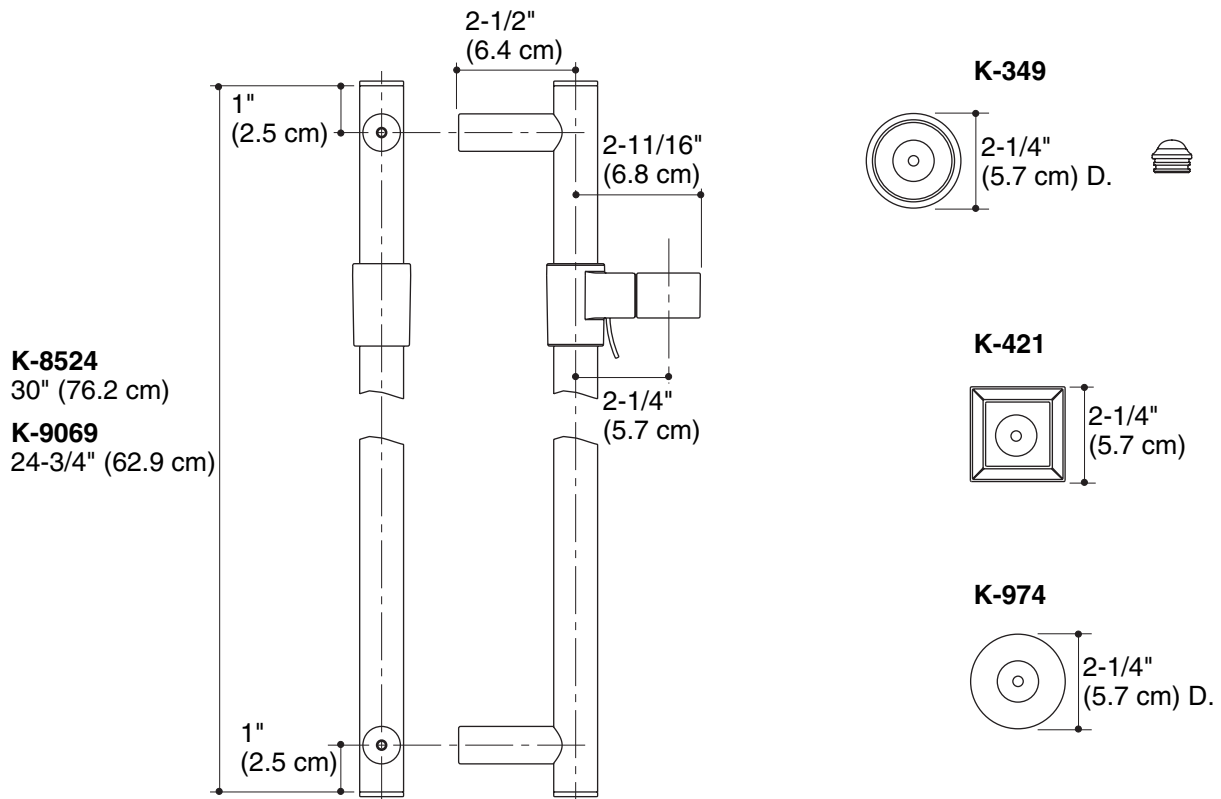
Model	Description	Colors/Finishes	
K-8524	Slide bar - 30" (76.2 cm)	<input type="checkbox"/> CP	<input type="checkbox"/> Other ____
K-9069	Slide bar - 24-3/4" (62.9 cm)	<input type="checkbox"/> CP	<input type="checkbox"/> Other ____
<b>Optional Accessories</b>			
K-349	Forté <sup>®</sup> /Bancroft <sup>™</sup> slide bar trim	<input type="checkbox"/> CP	<input type="checkbox"/> Other ____
K-421	Memoirs <sup>®</sup> slide bar trim	<input type="checkbox"/> CP	<input type="checkbox"/> Other ____
K-974	Stillness <sup>®</sup> slide bar trim	<input type="checkbox"/> CP	<input type="checkbox"/> Other ____

**Product Specification**

Slide bar shall be of metal construction. Product shall be Kohler Model K-\_\_\_\_-\_\_\_\_.

## Installation Notes

Install this product according to the installation guide.



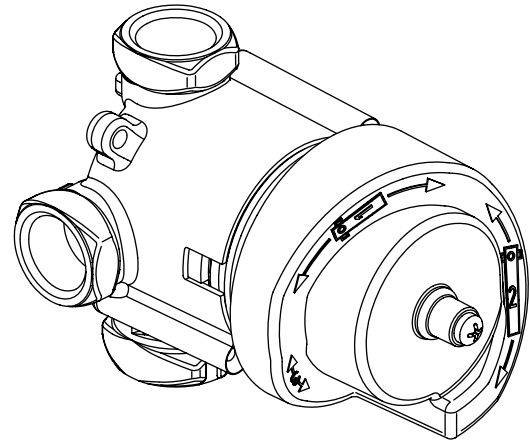
Product Diagram



**THREE-WAY/TWO-WAY TRANSFER VALVE  
VALVE  
K-728-K**

**Features**

- Brass construction
- Wall-mount
- Brass valve body
- Selection of one or combination of two outlets
- Single-handle control
- One 3/4" NPT inlet connection
- Three 1/2" NPT outlet connections
- Intended for use with Kohler® bath and shower supply valves
- Can be converted from 3 outlets (360° handle rotation) to 2 outlets (120° handle rotation)



**Codes/Standards Applicable**

Specified model meets or exceeds the following:

- ASME A112.18.1/CSA B125.1

**Colors/Finishes**

- NA: None applicable

**Specified Model**

Model	Description	Colors/Finishes
K-728-K	Three-way/Two-way transfer valve	<input type="checkbox"/> NA

**Product Specification**

The single-handle wall-mount three-way/two-way transfer valve shall be made of brass construction with brass valve body. Product shall feature one 3/4" NPT inlet connection and three 1/2" NPT outlet connections. Product can be converted from 3 outlets (360° handle rotation) to 2 outlets (120° handle rotation). Product shall feature a selection of one or combination of two outlets. Product is intended for installation with any Kohler bath and shower supply valves. Transfer valve shall be Kohler Model K-728-K-NA.

# MASTERSHOWER®

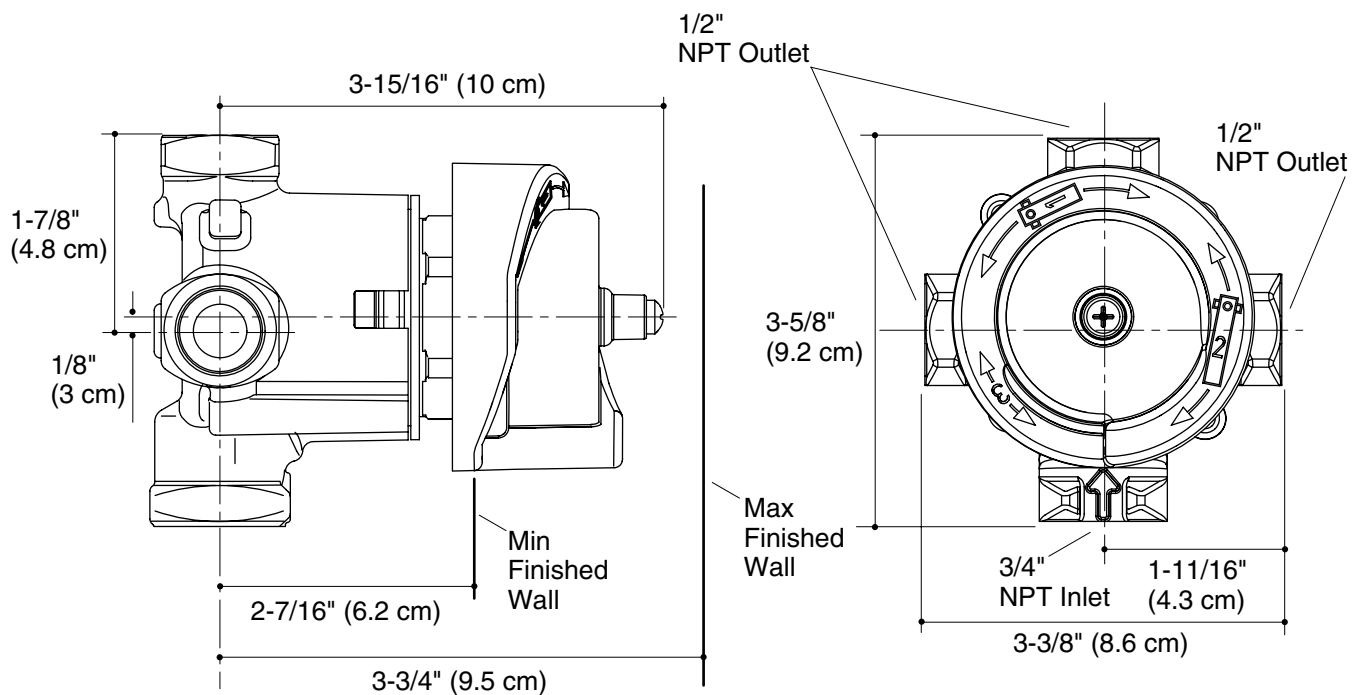
## Installation Notes

Install this product according to the installation guide.

Product is not intended for use as a shut-off valve.

Never plug an outlet port without completing the two-way conversion.

Product requires a mixed water supply to the inlet.



## Product Diagram

MASTERSHOWER® THREE-WAY/TWO-WAY TRANSFER VALVE

Page 2 of 2  
1145567-4-A

THE BOLD LOOK  
OF **KOHLER**®