

**Features**

- Brass construction
- Available with cross or lever handles
- Front seal plate assembly
- Handle assembly
- Complements Purist® Suite

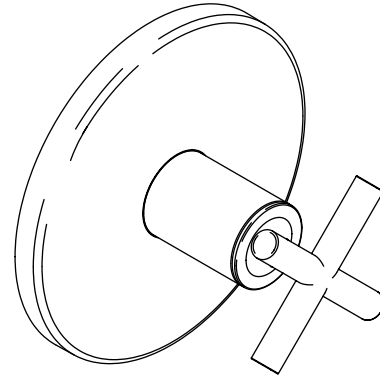
**THERMOSTATIC FAUCET TRIM**  
**K-T14488**  
**ALSO K-T14489, K-T14490, K-T14491**

ADA

**Codes/Standards Applicable**

Specified model meets or exceeds the following:

- ASME A112.18.1
- CSA B125
- IAPMO/UPC
- ADA



**Colors/Finishes**

- CP: Polished Chrome
- Other: Refer to Price Book for additional colors/finishes
- NA: None applicable

**Specified Model**

For complete faucet, both faucet trim and valving must be specified.			
Model	Description	Colors/Finishes	
K-T14488-3	Thermostatic valve trim, cross handle	<input type="checkbox"/> CP	<input type="checkbox"/> Other ____
K-T14488-4	Thermostatic valve trim, lever handle	<input type="checkbox"/> CP	<input type="checkbox"/> Other ____
K-T14489-4	Stacked thermostatic valve trim, lever handle <b>only</b>	<input type="checkbox"/> CP	<input type="checkbox"/> Other ____
K-T14490-3	Volume control trim, cross handle	<input type="checkbox"/> CP	<input type="checkbox"/> Other ____
K-T14490-4	Volume control trim, lever handle	<input type="checkbox"/> CP	<input type="checkbox"/> Other ____
K-T14491-3	Transfer valve trim, cross handle	<input type="checkbox"/> CP	<input type="checkbox"/> Other ____
K-T14491-4	Transfer valve trim, lever handle	<input type="checkbox"/> CP	<input type="checkbox"/> Other ____

Required Accessory (continued on page 2)		
K-669-KS	3/4" Thermostatic valve	<input type="checkbox"/> NA
K-670-KS	3/4" Stacked thermostatic valve	<input type="checkbox"/> NA
K-671-K	3/4" Volume control	<input type="checkbox"/> NA
K-672-K	3/4" Transfer valve	<input type="checkbox"/> NA
K-679-KS	1/2" Thermostatic valve	<input type="checkbox"/> NA

**Product Specification**

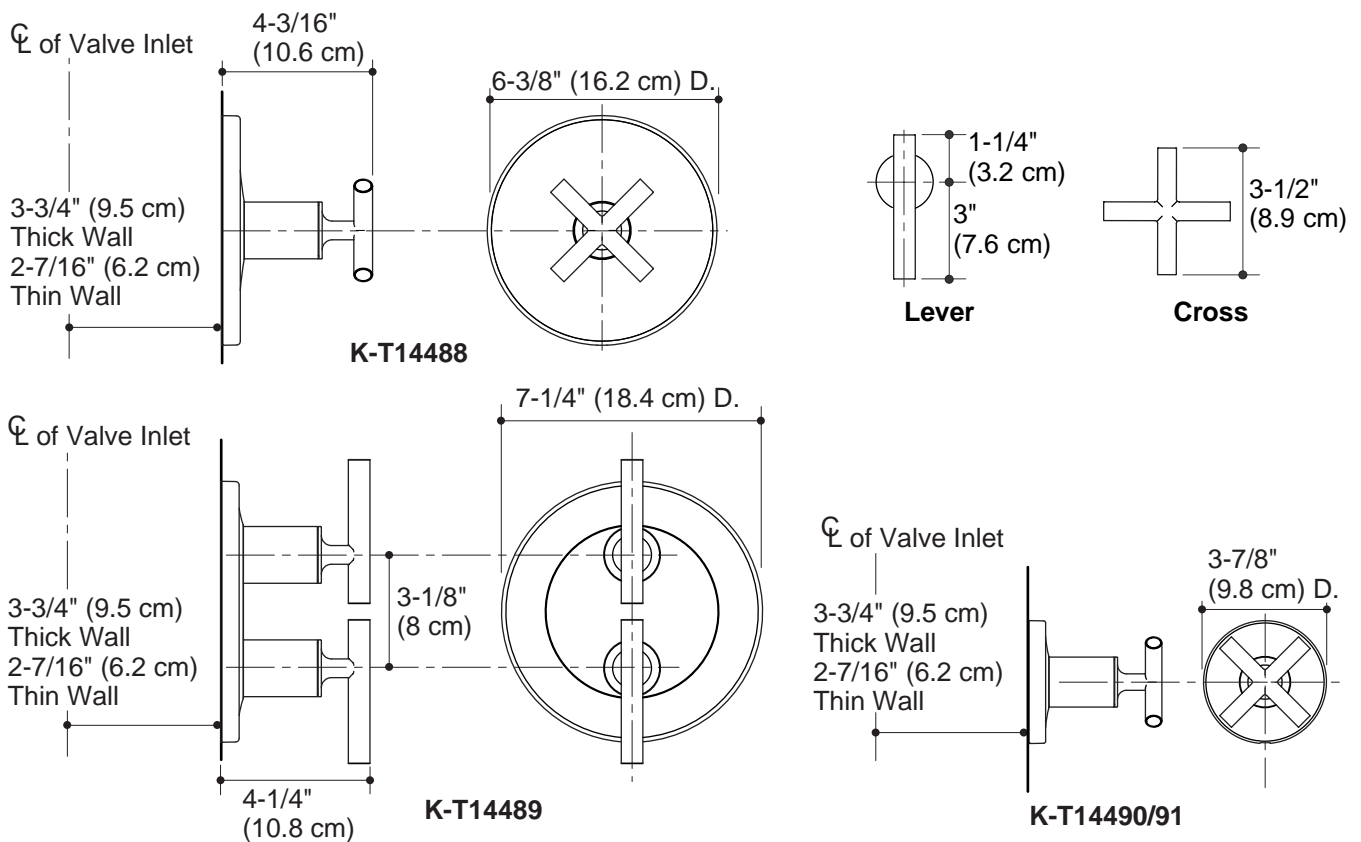
Thermostatic faucet trim shall be of brass construction. Trim shall include front seal plate assembly and handle assembly. Product shall be available with cross or lever handles. Thermostatic faucet trim shall complement the Purist® Suite. Faucet trim shall be Kohler Model K-T\_\_\_\_-\_\_\_\_-\_\_\_\_ and thermostatic valving shall be K-\_\_\_\_-\_\_\_\_-NA.

# PURIST®

K-680-KS	1/2" Stacked thermostatic valve	<input type="checkbox"/> NA
K-681-K	1/2" Volume control	<input type="checkbox"/> NA

## Installation Notes

Install this product according to the installation guide.



## Product Diagram

### Product Information

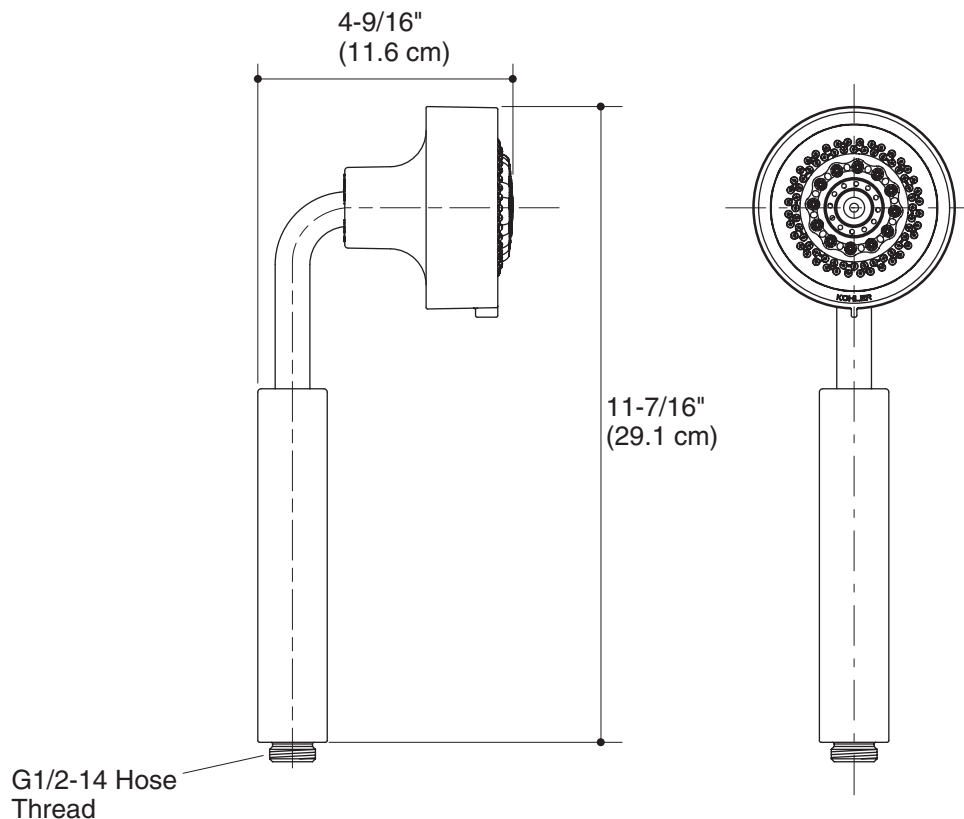
Applicable product:	
Handshower – 2.5 gallon (9.5 L) per minute flow rate	K-973
Handshower – Ecofficient™ 1.75 gallon (6.6 L) per minute flow rate	K-978
Model K-973 is ADA compliant. <span style="border: 1px solid black; padding: 2px;">ADA</span>	

Required accessory:	
72" (182.9 cm) metal shower hose <b>OR</b>	K-8593
60" (152.4 cm) metal shower hose	K-9514

### Installation Notes

Install this product according to the installation guide.

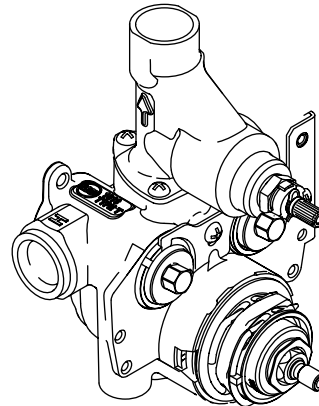
Plumbing codes require an atmospheric vacuum breaker (such as Kohler Model K-9660) be installed in-line with handshowers. Please consult with local plumbing officials.



**1/2" THERMOSTATIC MIXER  
K-2973-KS**

**Features**

- Forged brass valve body
- Wall-mount
- High-temperature limit setting for added safety
- Temperature-balancing mechanism
- Scald hazard prevention
- Integral service stops
- Crossflow prevention
- 1/2" NPT connections
- Serviceable inlet filter screens
- Single outlet
- Independent temperature volume controls



**Codes/Standards Applicable**

Specified model meets or exceeds the following:

- ASSE 1016
- ASME A112.18.1/CSA B125.1

**Colors/Finishes**

- NA: None applicable

**Accessories**

- NA: None applicable

**Specified Model**

Model	Description	Colors/Finishes
K-2973-KS	1/2" thermostatic mixer - with volume control	<input type="checkbox"/> NA
<b>Optional Accessories</b>		
K-9663	Twin ell - for use with diverter bath spouts only	<input type="checkbox"/> NA

**Product Specification**

The thermostatic mixer with independent temperature volume controls shall have a forged brass valve body. Product shall feature a 1/2" quarter-turn washerless ceramic disc valve, assuring positive handle stop positioning. Product shall feature a high-temperature limit stop for added safety, a temperature-balancing mechanism, and a scald prevention mechanism. Product shall also feature integral service stops, serviceable filter screens, and cross flow prevention. Product shall have single outlet and 1/2" NPT connections. The thermostatic mixer shall be Kohler Model K-2973-KS-NA.

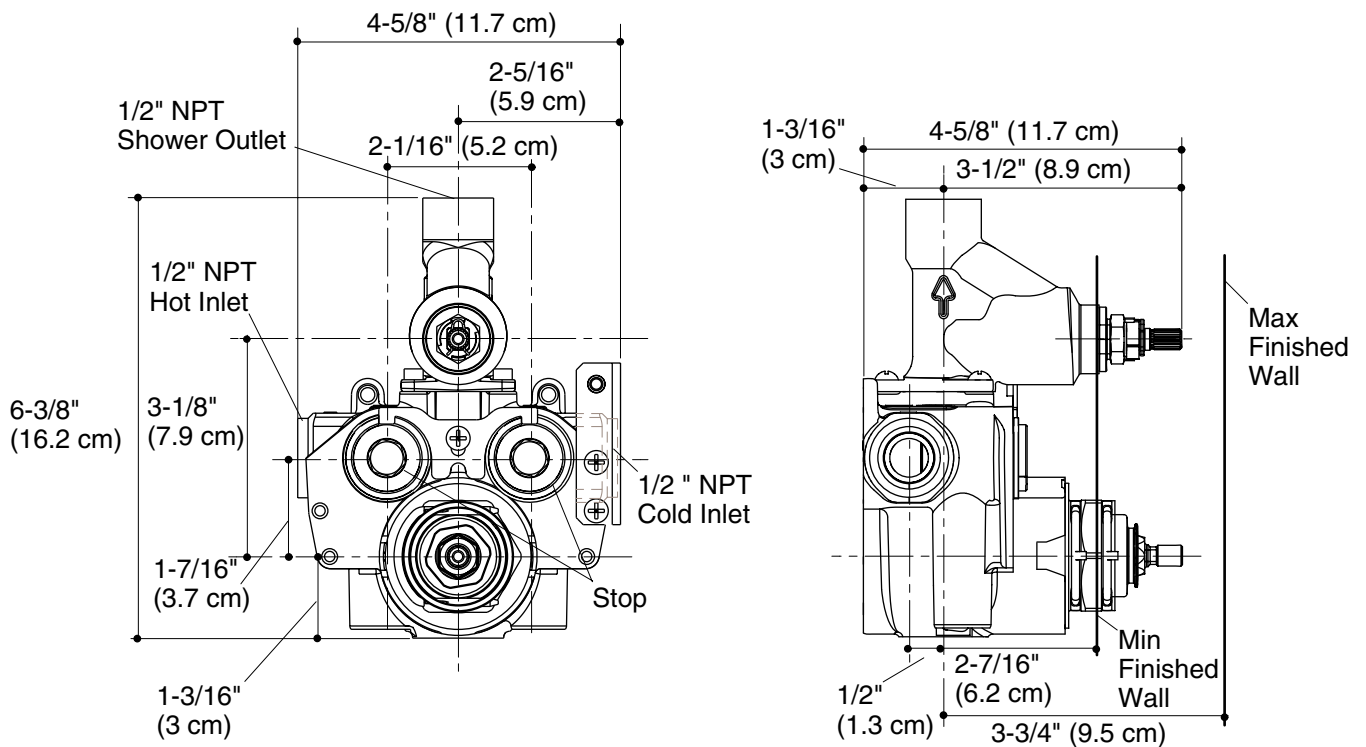
# MASTERSHOWER®

## Installation Notes

Install this product according to the installation guide.

The K-2973-KS thermostatic mixer valve includes one volume control for shower-only or bath-only installations.

For installations with a diverter spout, a K-9663 twin ell is required between the valve and the spout. The supply to the K-9663 twin ell must run from the top port.

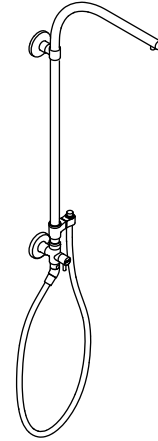


## Product Diagram

**Features**

- For use in shower only installations
- Shower column includes shower hose
- Designed for new installations or retrofit to replace an existing installed shower arm
- Incorporates two position diverter for Rainhead showerhead or handshower operation
- For use with temperature/volume control mixing valve (not supplied)
- Check valves installed in shower hose and diverter valve for backflow prevention
- For use with Katalyst™ Rainheads (see table)

**SHOWER COLUMN  
K-45211  
ALSO K-45212**



**Codes/Standards Applicable**

Specified model meets or exceeds the following:

- ASME A112.18.1/CSA B125.1

**Colors/Finishes**

- CP: Polished Chrome
- BN: Brushed Nickel

**Specified Model**

Model	Description	Colors/Finishes	
K-45211	Shower column – arched (shown)	<input type="checkbox"/> CP	<input type="checkbox"/> BN
K-45212	Shower column – beam	<input type="checkbox"/> CP	<input type="checkbox"/> BN

Optional Accessories			
K-13688	8" Contemporary Round Katalyst Rainhead	<input type="checkbox"/> CP	<input type="checkbox"/> BN
K-13689	10" Contemporary Round Katalyst Rainhead	<input type="checkbox"/> CP	<input type="checkbox"/> BN
K-13692	8" Traditional Round Katalyst Rainhead	<input type="checkbox"/> CP	<input type="checkbox"/> BN
K-13695	8" Contemporary Square Katalyst Rainhead	<input type="checkbox"/> CP	<input type="checkbox"/> BN

**Product Specification**

The shower column shall be used in shower only installations. Shower column shall include shower hose and incorporate two position diverter for Rainhead showerhead or handshower operation. Product shall have check valves installed in shower hose and diverter valve for backflow prevention. Product shall be used with temperature/volume control mixing valve (not supplied). Product shall be designed for new installations or retrofit to replace an existing installed shower arm. Shower column shall be for use with Katalyst Rainheads (see table). Product shall be Kohler Model K-\_\_\_\_\_.

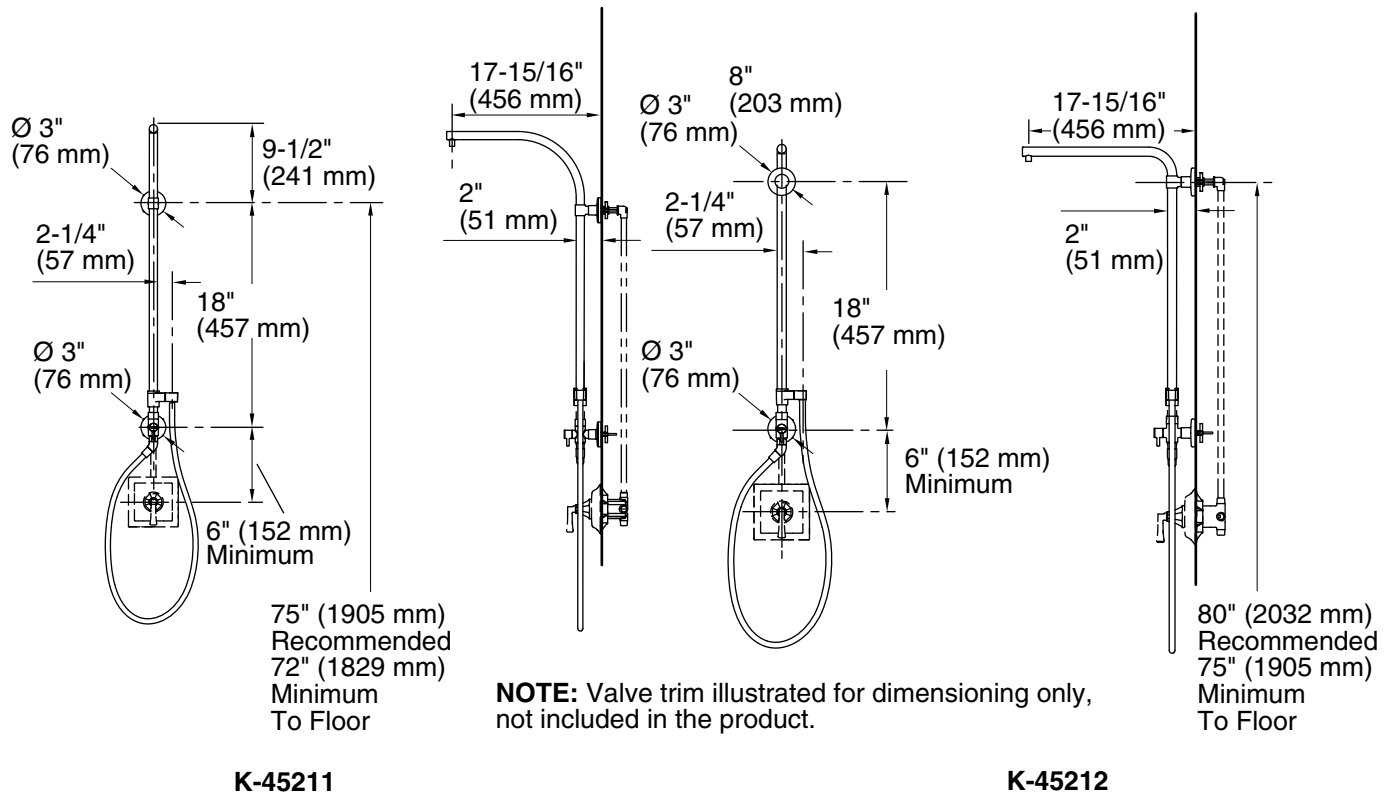
## Installation Notes

Install this product according to the installation guide.

**IMPORTANT! For retrofit/remodel installations:** Check the existing shower enclosure for adequate clearances before proceeding with the shower column installation. Refer to the Roughing-in for the shower column and Rainhead.

Verify the distances between:

- The ceiling and the center of the existing shower arm at the finished wall surface.
- The shower floor and the center of the existing shower arm at the finished wall surface. Ensure sufficient clearance under the Rainhead.
- The center of the existing shower arm and the center of the mixing valve trim.



## Product Diagram