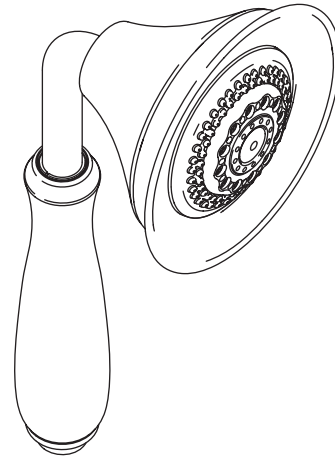


Features

- Adjustable oversized sprayface
- MasterClean™ sprayface resists hard water buildup and is easy to clean
- Ergonomic sprayhead pivots for targeted hydromassage or for rinsing the shower enclosure
- Complements Forte® faucet line
- 2.5 gallon (9.5 L) per minute flow rate [K-10286]
- Full-coverage, therapeutic massage, soft-aerated spray, and ADA compliant water-saving eco spray options [K-10286]
- Ecoefficient™ 1.75 gallon (6.6 L) per minute flow rate [K-10298]
- Wide-coverage, medium-coverage, and forceful utility spray options [K-10298]

MULTI-FUNCTION HANDSHOWER
K-10286
ALSO K-10298

ADA



Codes/Standards Applicable

Specified model meets or exceeds the following:

- ASME 112.18.1/CSA B125
- IAPMO/UPC
- CSA International
- ADA [K-10286 only]

Colors/Finishes

- CP: Polished Chrome
- Other: Refer to Price Book for additional colors/finishes

Accessories

- CP: Polished Chrome

Specified Model

Model	Description	Colors/Finishes	
K-10286	Handshower – 2.5 gallon (9.5 L) per minute flow rate	<input type="checkbox"/> CP	<input type="checkbox"/> Other ____
K-10298	Handshower – Ecoefficient 1.75 gallon (6.6 L) per minute flow rate	<input type="checkbox"/> CP	<input type="checkbox"/> Other ____
Required Accessory			
K-8593	72" (182.9 cm) metal shower hose OR	U	<input type="checkbox"/> CP
K-9514	60" (152.4 cm) metal shower hose		<input type="checkbox"/> CP

Product Specification

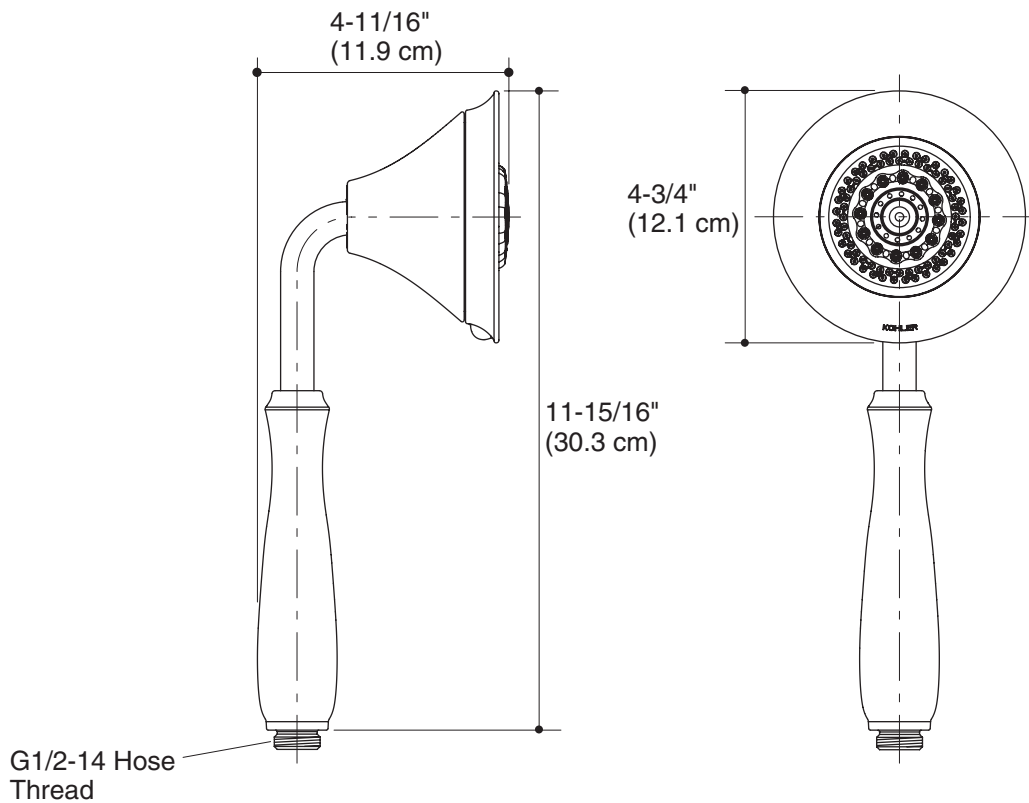
Multi-function handshower shall feature an adjustable oversized sprayface. Product shall feature a Masterclean sprayface which resists hard water buildup and is easy to clean. Product shall feature an ergonomic sprayhead which pivots for targeted hydromassage or for rinsing the shower enclosure. Product shall be available with a 2.5 gallon (9.5 L) per minute flow rate [K-10286] or Ecoefficient 1.75 gallon (6.6 L) per minute flow rate [K-10298]. Product shall feature full-coverage, therapeutic massage, soft-aerated spray, and ADA compliant water-saving eco spray options [K-10286] or wide-coverage, medium-coverage, and forceful utility spray options [K-10298]. Handshower shall complement the Forté faucet line. Product shall be Kohler Model K-____-____.

FORTÉ®

Installation Notes

Install this product according to the installation guide.

Plumbing codes require an atmospheric vacuum breaker (such as Kohler Model K-9660) be installed in line with handshowers. Please consult with local plumbing officials.

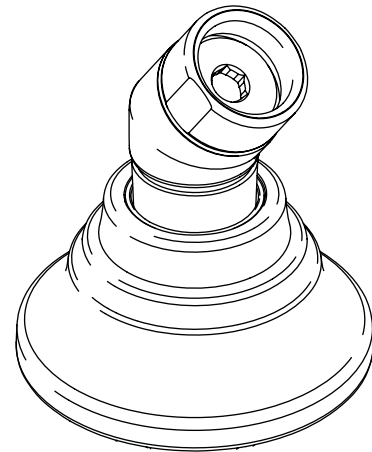


Product Diagram

Features

- Brass construction
- Complements the Bancroft Suite

DECK- OR BATH-MOUNT HANDSHOWER HOLDER WITH HOSES K-10573



Colors/Finishes

- CP: Polished Chrome
- Other: Refer to Price Book for additional colors/finishes

Accessories

- NA: None applicable

Specified Model

Model	Description	Colors/Finishes	
K-10573	Deck- or bath-mount handshower holder with hoses	<input type="checkbox"/> CP	<input type="checkbox"/> Other _____
Optional Accessories			
79583	Roughing-in kit for deck-mount handshowers	<input type="checkbox"/> NA	

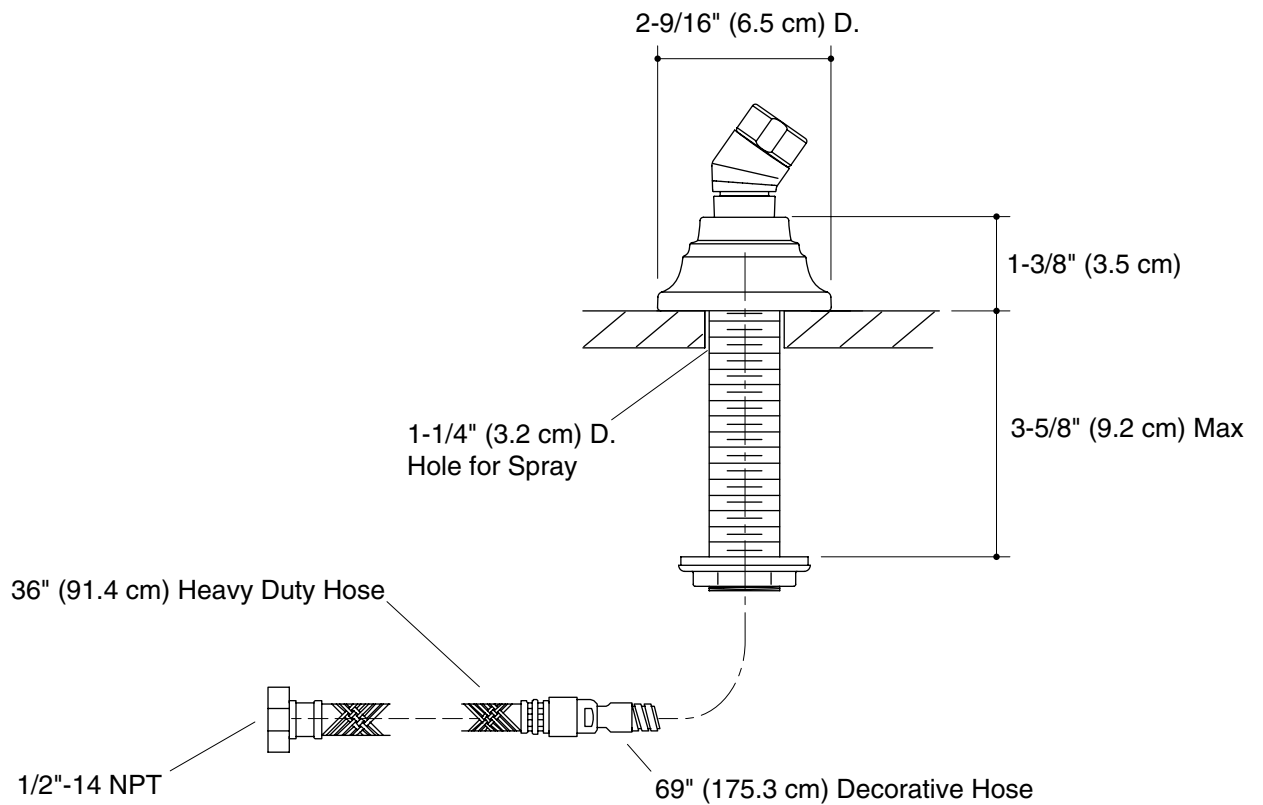
Product Specification

Handshower holder shall be of brass construction. Product shall complement the Bancroft Suite. Product shall be Kohler Model K-10573-_____.

BANCROFT™

Installation Notes

Install this product according to the installation guide.



Product Diagram

Features

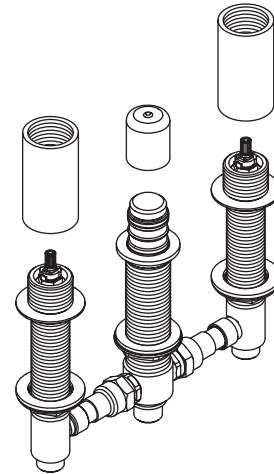
- Brass construction
- Finished deck-mount or rim-mount only
- 1/2" quarter-turn washerless ceramic disc valves
- High-flow valving
- 11 gpm (42 lpm) - 12 (45 lpm) flow at 45 psi (310 kPa)

Codes/Standards Applicable

Specified model meets or exceeds the following:

- ASME A112.18.1
- IAPMO/UPC
- CSA B125

**HIGH-FLOW VALVE SYSTEM
K-438**



Colors/Finishes

- NA: None applicable

Specified Model

Model	Description	Colors/Finishes
K-438-K	1/2" valve system with diverter	<input type="checkbox"/> NA

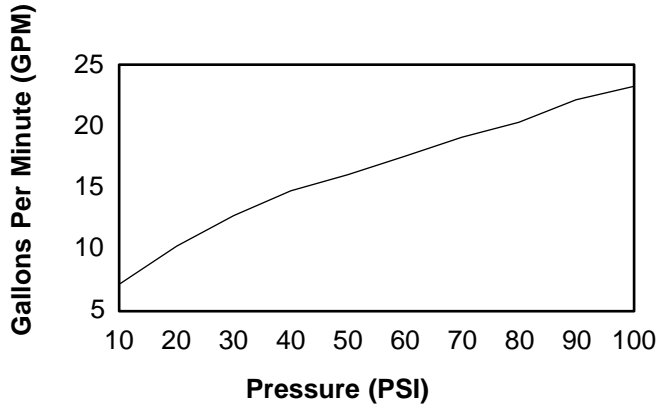
Product Specification

High-flow valve system shall be of brass construction. Valve system shall feature 1/2" quarter-turn washerless ceramic disc valves, assuring positive handle stop positioning. Valve system shall be for finished deck-mount or rim-mount installation only. High flow valving, 11 gpm (42 lpm) - 12 (45 lpm) at 45 psi (310 kPa). Valve system shall be Kohler Model K-438-K-NA.

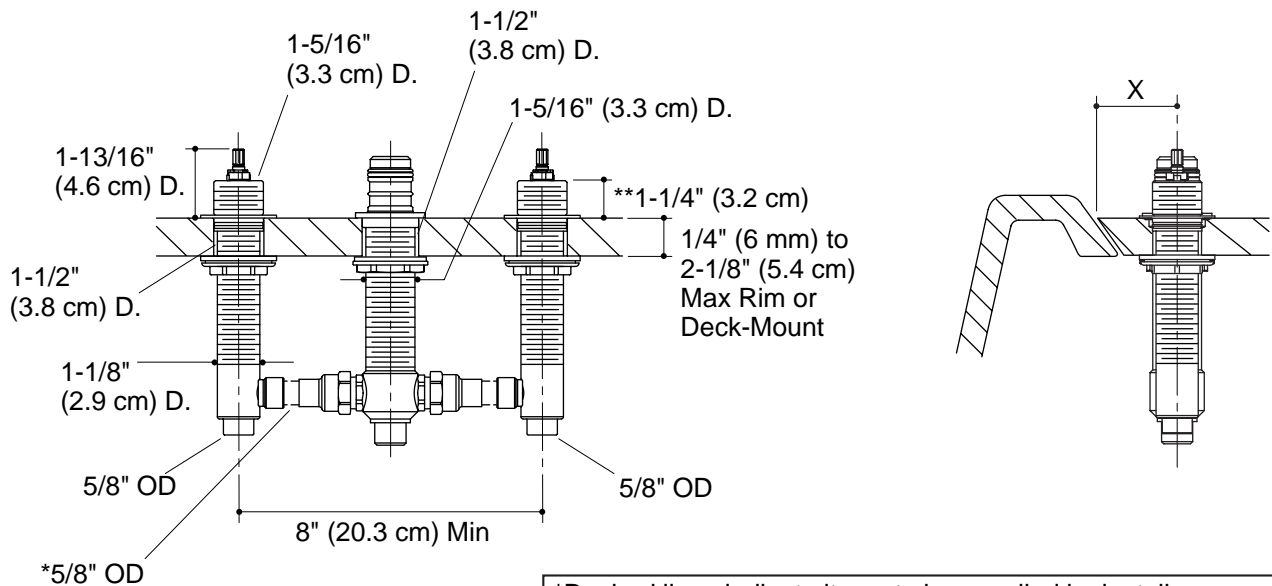
Installation Notes

Install this product according to the installation guide.

Performance Data



Finish Deck Installation Only



*Dashed lines indicate items to be supplied by installer
 **Dimension allows +/-1/4" (6 mm) handle adjustment during handle trim installation
 X = Distance from centerline of spout inlet to front of spout base plus 1/2" (1.3 cm)

Product Diagram

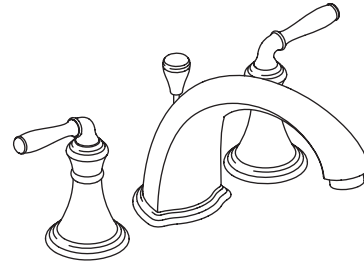
Features

- Brass construction
- Bath- or deck-mount
- Lever handles
- 9" (22.9 cm) high-arch spout with slip-fit connection and diverter knob

Codes/Standards Applicable

Specified model meets or exceeds the following:

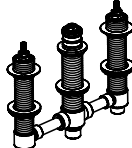
- ASME A112.18.1
- IAPMO/UPC
- CSA B125
- ADA



Colors/Finishes

- CP: Polished Chrome
- Other: Refer to Price Book for additional colors/finishes

Specified Model

Model	Description	Colors/Finishes	
K-T387-4	Bath faucet trim	<input type="checkbox"/> CP	<input type="checkbox"/> Other _____
Required Accessory			
K-438-K	1/2" high-flow ceramic disc valve system with integral diverter	<input type="checkbox"/> NA	
Optional Accessories		Colors/Finishes	
K-10597	Handshower	<input type="checkbox"/> CP	<input type="checkbox"/> Other _____
K-10573	Deck handshower holder	<input type="checkbox"/> CP	<input type="checkbox"/> Other _____

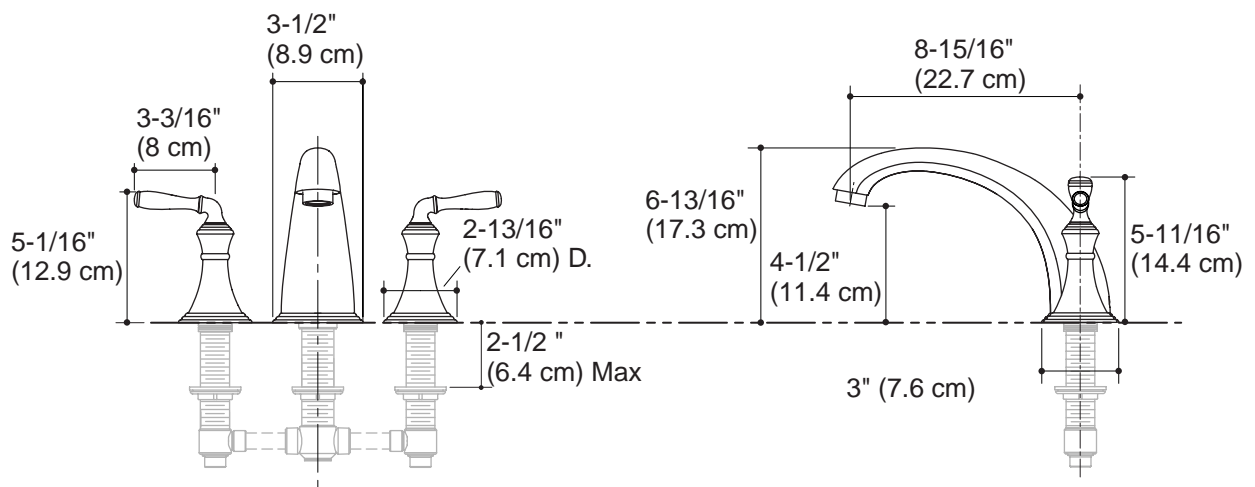
Product Specification

Two-handle bath- or deck-mount bath faucet trim shall be of brass construction. Product shall install to bath or finished deck. Product shall include a 9" (22.9 cm) high-arch spout with slip-fit connection and diverter knob. Product shall include lever handles. Faucet trim shall be Kohler Model K-T387-4-_____ and valve system shall be Kohler Model K-438-K-NA.

DEVONSHIRE®

Installation Notes

Install this product according to the installation guide.



Product Diagram