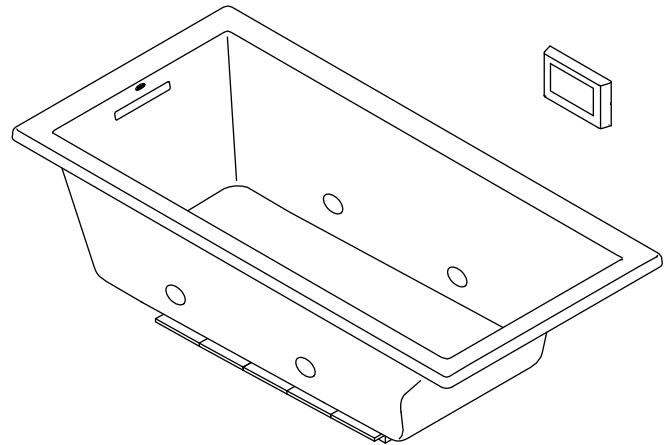


Features

- Acrylic
- Intuitive high-clarity color touch-screen user interface
- 6 transducers and control amplifier create 3-D surround sound experience
- Under-mount/drop-in style installation
- 15-1/16" (383 mm) deep bathing well
- Available with chromatherapy [-VBC]
- Chromatherapy model is equipped with 4 lights
- User interface mounting plate is included in color CP
- 60" (1524 mm) x 30" (762 mm) x 19" (483 mm)

5' VIBRACOUSTIC BATH K-1167-VB ALSO K-1167-VBC

ADA



Codes/Standards Applicable

Specified model meets or exceeds the following:

- ADA
- ICC/ANSI A117.1
- ASME A112.19.7
- CSA B45.5/IAPMO Z124
- UL 1795
- CAN/CSA C22.2 No. 218.2

Colors/Finishes

- 0: White
- CP: Polished Chrome
- BN: Brushed Nickel
- Other: Refer to Price Book for additional colors/finishes

Specified Model

Model	Description	Colors/Finishes	
K-1167-VB	5' VibrAcoustic bath	<input type="checkbox"/> 0	<input type="checkbox"/> Other _____
K-1167-VBC	5' VibrAcoustic bath with chromatherapy (shown)	<input type="checkbox"/> 0	<input type="checkbox"/> Other _____

Required Accessories

K-7271	Clearflo slotted overflow brass bath drain OR	<input type="checkbox"/> CP	<input type="checkbox"/> Other _____
K-7272	Clearflo slotted overflow bath drain – PVC pipe	<input type="checkbox"/> CP	<input type="checkbox"/> Other _____

Optional Accessories

K-531	Under-mount kit		<input type="checkbox"/> NA	
K-1491	Pillow	<input type="checkbox"/> 0		<input type="checkbox"/> Other _____
K-1601	Footstop	<input type="checkbox"/> 0		<input type="checkbox"/> Other _____
1172315	Vibracoustic interface mounting plate		<input type="checkbox"/> BN	

Product Specification

The acrylic vibracoustic bath shall be 60" (1524 mm) in length, 30" (762 mm) in width, and 19" (483 mm) in height. Bath shall feature intuitive high-clarity color touch-screen user interface and 6 transducers and control amplifier, which create 3-D surround sound experience. Bath shall be available with chromatherapy [-VBC], which is equipped with 4 lights. Bath shall be available with under-mount or drop-in style installation. Bath shall have a 15-1/16" (383 mm) deep bathing well. The user interface mounting plate shall be included in color CP. Bath shall be Kohler Model K-1167-____-____.

UNDERScore®

Technical Information

Fixture*:			
Bathing well:			
Basin area, bottom	42-3/8" (1076 mm) x 20" (508 mm)		
Basin area, top	54-3/8" (1381 mm) x 24-5/16" (618 mm)		
Weight	75 lbs (34 kg)		
To overflow:			
Water depth	15-1/16" (383 mm)		
Capacity	59.8 gal (226 L)		
* Approximate measurements for comparison only.			
Drop-in cut-out		59-1/2" (1511 mm) x 28-1/2" (724 mm)	
Amplifier/control:	Power per channel (rms) W	V	Hz
	15	120	50/60

Required Electrical Service

Dedicated circuit required, protected with Class A Ground-Fault Circuit-Interrupter (GFCI) or Residual Current Device (RCD):

Amplifier/control: 120 V, 15 A, 50/60 Hz

Installation Notes

Install this product according to the installation guide.

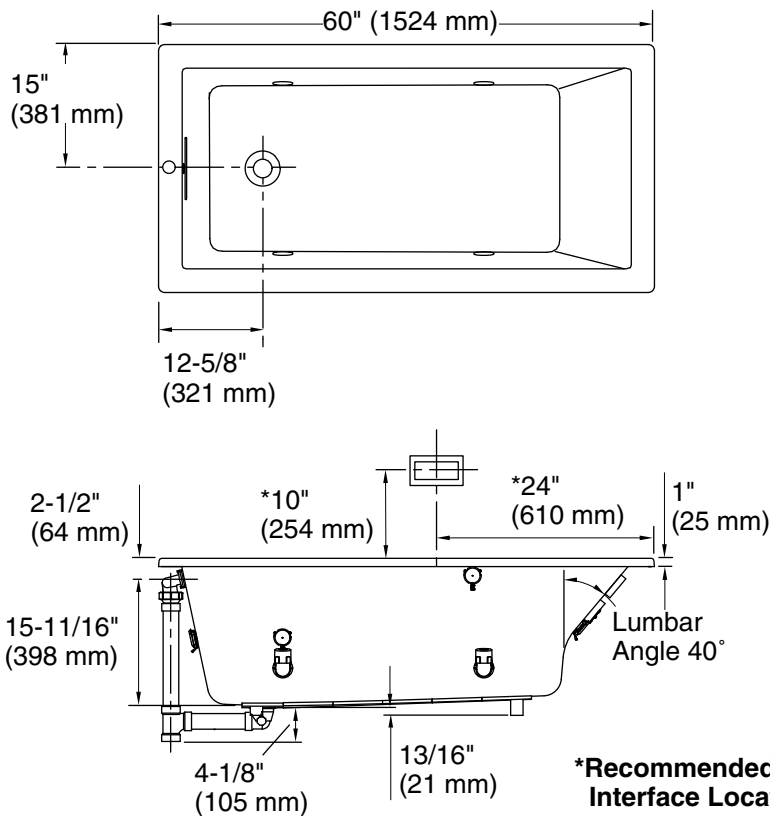
Will comply with **ADA** when installed per Section 607 Bathtubs of the Act.

Control amplifier fits 16" (406 mm) center studs. 25' (7.6 m) cables are included.

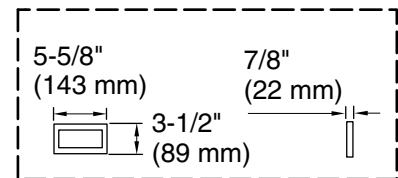
A grounded outlet within the wall framing must be within 24" (610 mm) of the planned control amplifier.

Floor support under bath must provide for a minimum of 50 lbs/square foot (242 kg/square meter) loading.

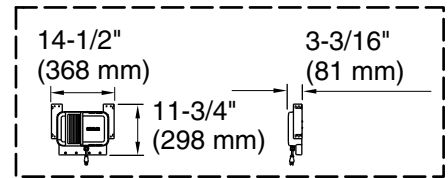
Ensure that the bath, user interface, amplifier, and transducers are functional before completing the installation.



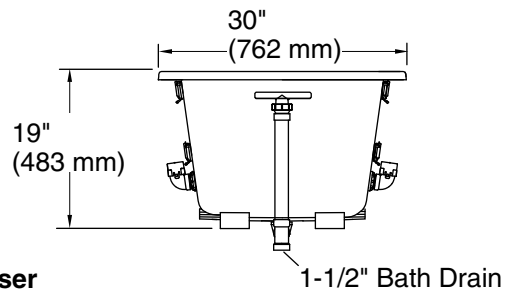
No change in measurement if connected with drain illustrated. (K-7272)



User Interface



Control Amplifier



Product Diagram