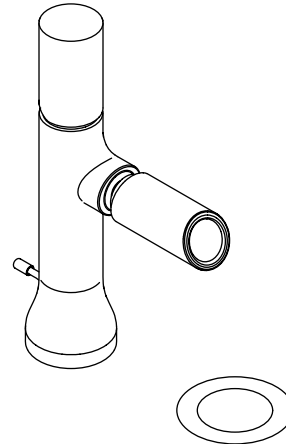


**BIDET FAUCET
K-8961**

Features

- Brass construction
- One-piece, self-contained ceramic disc valve allows both volume and temperature control
- Temperature memory allows faucet to be turned on and off at any temperature setting
- Flexible connections for easy installation
- Single-hole mounting
- Cylindrical handle
- Includes pop-up drain
- 4-1/8" (105 mm) spout length



Codes/Standards Applicable

Specified model meets or exceeds the following:

- ASME A112.18.1/CSA B125.1

Colors/Finishes

- CP: Polished Chrome
- Other: Refer to Price Book for additional colors/finishes

Specified Model

Model	Description	Colors/Finishes	
		<input type="checkbox"/> CP	<input type="checkbox"/> Other _____
K-8961-7	Bidet faucet	<input type="checkbox"/> CP	<input type="checkbox"/> Other _____

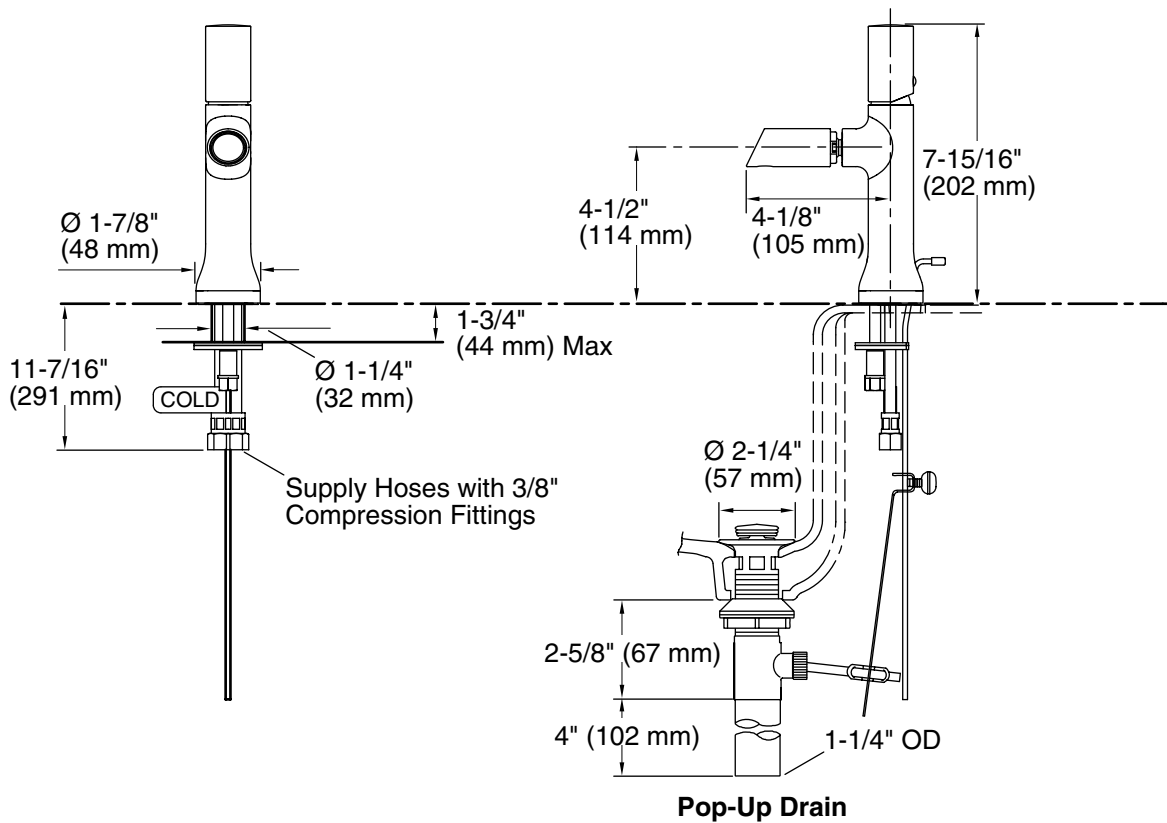
Product Specification

Single-control bidet faucet shall be of brass construction. Product shall have a one-piece, self-contained ceramic disc valve, allowing volume and temperature control. Product shall feature temperature memory, allowing the faucet to be turned on and off at any temperature setting. Product shall feature single-hole mounting. Product shall have a 4-1/8" (105 mm) spout length. Product shall have lower flow. Product shall include flexible connections for easy installation, cylindrical handle, and pop-up drain. Faucet shall be Kohler Model K-8961-7-_____.

TOOBI™

Installation Notes

Install this product according to the installation guide.



Product Diagram