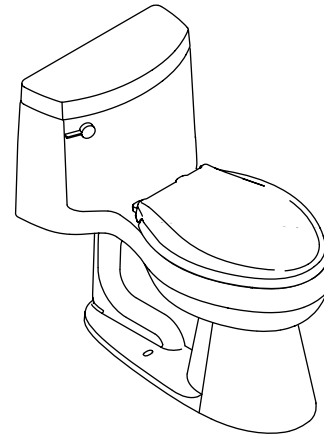


### COMFORT HEIGHT® TOILET K-3828

#### Features

- Vitreous china
- Elongated bowl
- Comfort Height®
- Class Five® flushing system
- Includes polished chrome trip lever, seat and cover
- Available with right-hand or left-hand trip lever
- Less supply
- 12" (305 mm) rough-in
- 1.28 gpf (4.8 lpf)
- 2-1/8" (54 mm) glazed trapway
- 11-3/4" (298 mm) x 8" (203 mm) water area
- 29-5/16" (745 mm) x 18-15/16" (481 mm) x 28-13/16" (732 mm)

ADA CSA B651 OBC



#### Codes/Standards Applicable

Specified model meets or exceeds the following:

- ADA
- ICC/ANSI A117.1
- CSA B651
- OBC
- ASME A112.19.2/CSA B45.1
- EPA WaterSense®

#### Colors/Finishes

- 0: White
- Other: Refer to Price Book for additional colors/finishes

#### Specified Model

Model	Description	Trip Lever	Colors/Finishes	
K-3828	Comfort Height toilet (shown)	left-hand	<input type="checkbox"/> 0	<input type="checkbox"/> Other_____
K-3828-RA	Comfort Height toilet	right-hand	<input type="checkbox"/> 0	<input type="checkbox"/> Other_____

#### Recommended Accessories

K-7637	Angle supply with stop – 3/8" NPT	<input type="checkbox"/> CP	<input type="checkbox"/> PB	<input type="checkbox"/> Other_____
--------	-----------------------------------	-----------------------------	-----------------------------	-------------------------------------

#### Optional Accessories

K-4650	Lustra™ elongated open-front toilet seat – for Accessibility compliance	<input type="checkbox"/> 0		<input type="checkbox"/> Other_____
K-4732	Transitions® elongated toilet seat with Q3 Advantage™	<input type="checkbox"/> 0		<input type="checkbox"/> Other_____
K-9466-R	Right-hand trip lever (non-CP)		<input type="checkbox"/> PB	<input type="checkbox"/> Other_____
K-9466-R	Right-hand trip lever (non-CP)		<input type="checkbox"/> PB	<input type="checkbox"/> Other_____

#### Product Specification

The elongated one-piece toilet shall be made of vitreous china. Toilet shall be 29-5/16" (745 mm) in length, 18-15/16" (481 mm) in width, and 28-13/16" (732 mm) in height with an 11-3/4" (298 mm) x 8" (203 mm) water area. Toilet shall be Comfort Height with a 12" (305 mm) rough-in and 2-1/8" (54 mm) glazed trapway. Toilet shall be 1.28 gpf (4.8 lpf) with Class Five® flushing system. Toilet shall include polished chrome trip lever, seat and cover. Toilet shall be available with left-hand or right-hand trip lever. Toilet shall be less supply. Toilet shall be Kohler Model K-3828-\_\_\_\_\_ or K-3828-RA\_\_\_\_\_.

# CIMARRON®

## Technical Information

Fixture:	
Configuration	one-piece, elongated
Water per flush	1.28 gpf (4.8 lfp)
Passageway	2-1/8" (54 mm)
Water area	11-3/4" (298 mm) x 8" (203 mm)
Water depth from rim	6-1/8" (155 mm)
Seat post hole centers	5-1/2" (140 mm)

Included components:	
Tank cover	1036367
Trip lever, left-hand <b>OR</b>	K-9466-L
Trip lever, right-hand	K-9466-R
Toilet seat	K-4636
Tank accessory pack	52265
Bolt cap accessory pack	1013092

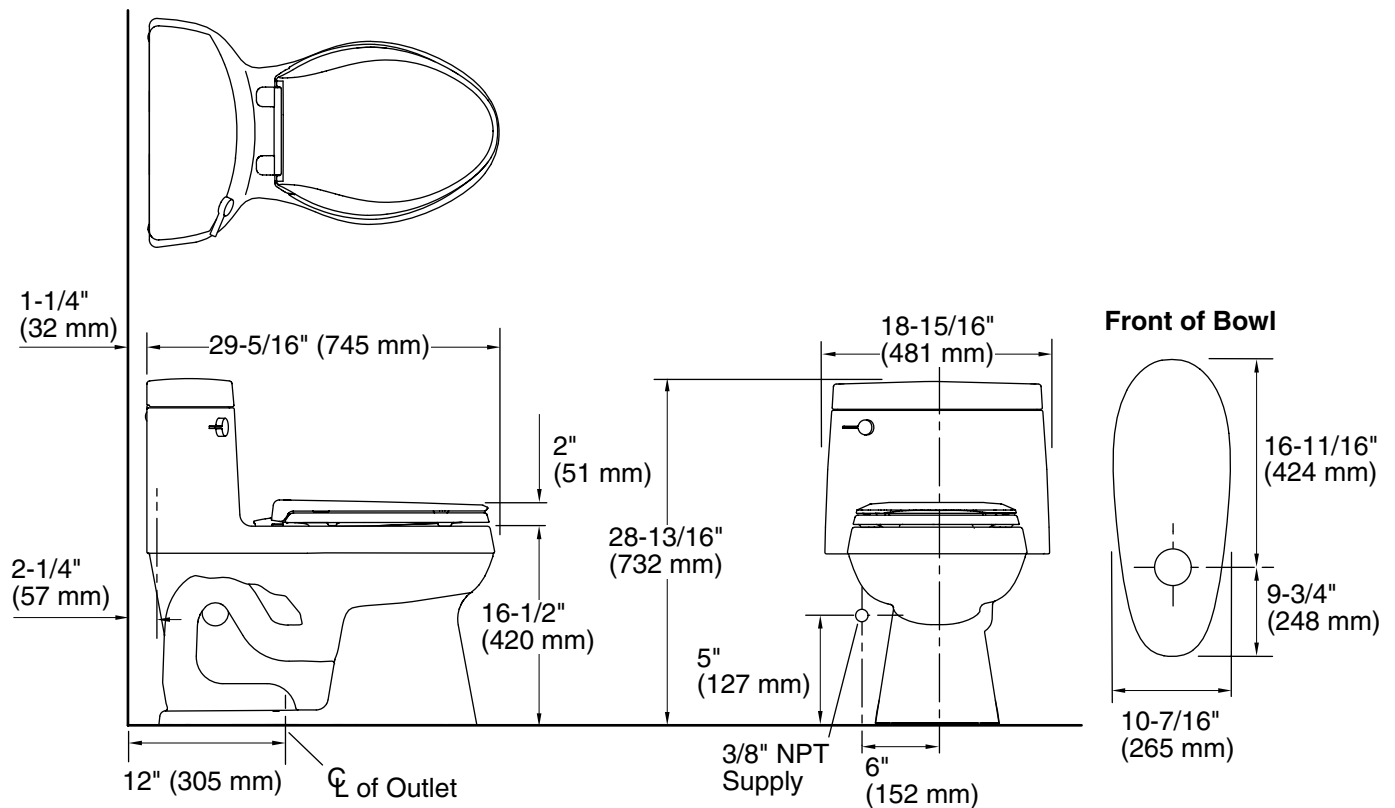
## Installation Notes

Install this product according to the installation guide.

Will comply with the American Disabilities Act (**ADA**) when installed per the requirements of the Accessibility Guidelines, Section 604 Water Closets, of the Act. The Model Plumbing Codes require the installation of elongated open-front toilet seats in public bathrooms.

Will comply with **CSA B651** when installed per Clause 4.3.6 of the standard.

Will comply with **OBC** when installed per Clause 3.8.3.8 and 3.8.3.9.



## Product Diagram