

**PRESSURE-BALANCING VALVE  
K-304-K**

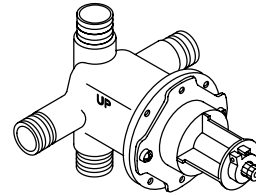
**FEATURES**

- Brass valve body
- Rite-Temp pressure-balancing diaphragm design valve
- High-temperature limit stop
- Pressure-balancing mechanism of one-piece diaphragm cartridge design for ease of maintenance
- Mixing valve cycles from “cold” to “hot”
- Available with or without screwdriver stops
- Available with female stops for CPVC

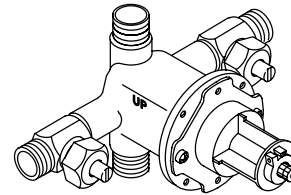
**CODES/STANDARDS APPLICABLE**

Specified model meets or exceeds the following:

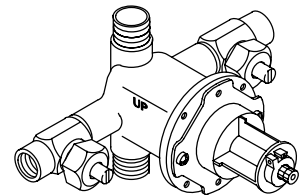
- ASME/ANSI A112.18.1M
- ANSI/ASSE 1016
- CSA International B125
- IAPMO/UPC



K-304-K



K-304-KS



K-304-KP

**COLORS/FINISHES**

- NA Not applicable

**SPECIFIED MODEL:**

Model	Description	
K-304-K	Less Screwdriver Stops	<input type="checkbox"/> NA
K-304-KS	With Screwdriver Stops	<input type="checkbox"/> NA
K-304-KP	With Screwdriver Stops For CPVC	<input type="checkbox"/> NA

**PRODUCT SPECIFICATION:**

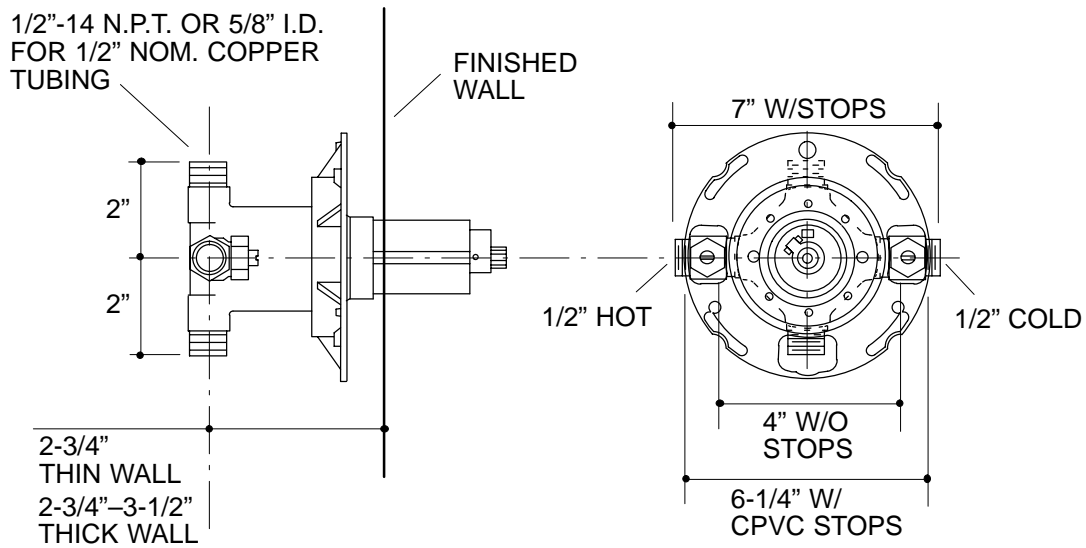
Rite-Temp pressure-balancing single-control valve shall feature a brass valve body. The valve shall mix the water from the “off” position, through the “cold” to the “hot”, and includes a high-temperature limit stop. The pressure-balancing mechanism shall be of one-piece diaphragm cartridge design for ease of maintenance. Optional feature shall be with or without screwdriver stops or female stops for CPVC. Rite-Temp valve shall be Kohler Model K-304-\_\_\_\_\_-NA.

## INSTALLATION NOTES

Avoid cross-flow conditions. Do not install shut-off device on either valve outlet.

Cap shower outlet if deck-mount spout, diverter, or handshower is connected to spout outlet.

Install straight pipe or tube drop of 7 to 18" with single elbow between valve and wall-mount spout.



## PRODUCT DIAGRAM

**Features**

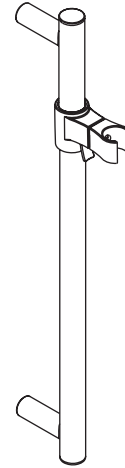
- Metal construction

**Codes/Standards Applicable**

Specified model meets or exceeds the following:

- None applicable

**SLIDE BAR**  
**K-8524**  
**ALSO K-9069**



**Colors/Finishes**

- CP: Polished Chrome
- Other: Refer to Price Book for additional colors/finishes

**Specified Model**

Model	Description	Colors/Finishes	
K-8524	Slide bar - 30" (76.2 cm)	<input type="checkbox"/> CP	<input type="checkbox"/> Other ____
K-9069	Slide bar - 24-3/4" (62.9 cm)	<input type="checkbox"/> CP	<input type="checkbox"/> Other ____

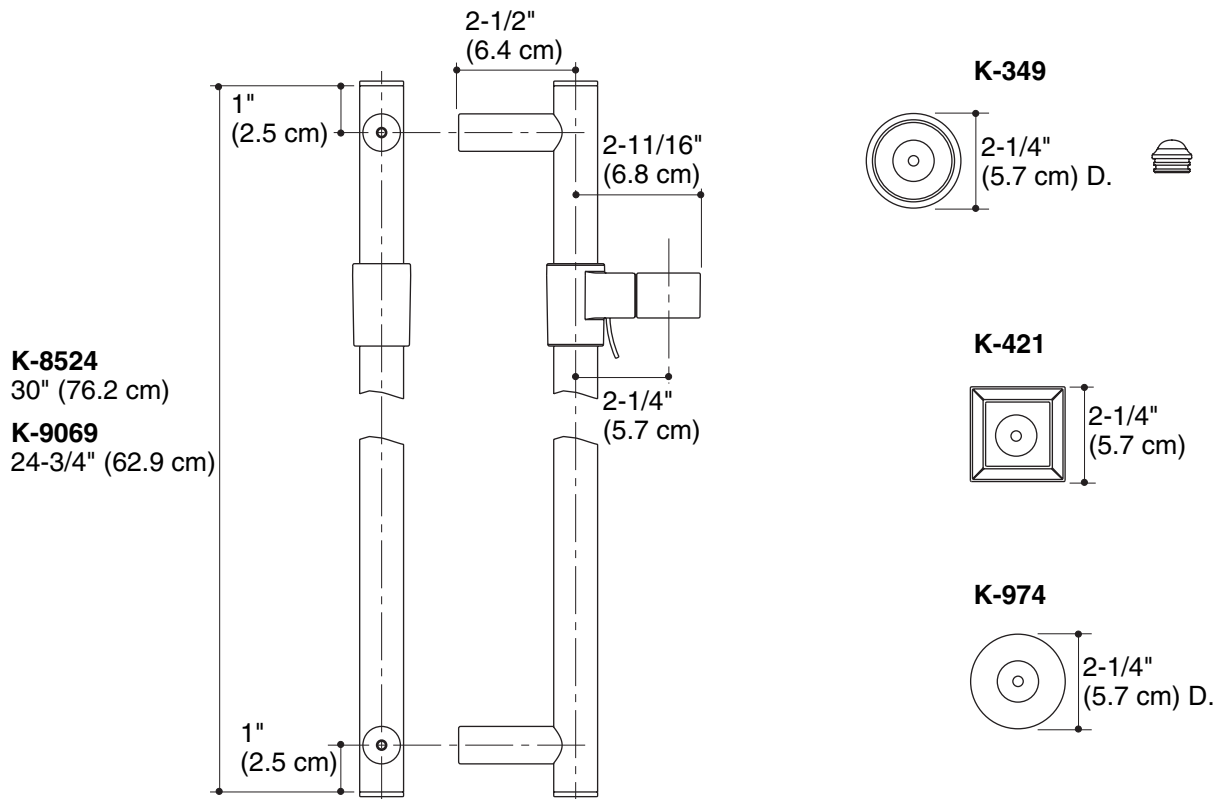
Optional Accessories			
K-349	Forté <sup>®</sup> /Bancroft <sup>™</sup> slide bar trim	<input type="checkbox"/> CP	<input type="checkbox"/> Other ____
K-421	Memoirs <sup>®</sup> slide bar trim	<input type="checkbox"/> CP	<input type="checkbox"/> Other ____
K-974	Stillness <sup>®</sup> slide bar trim	<input type="checkbox"/> CP	<input type="checkbox"/> Other ____

**Product Specification**

Slide bar shall be of metal construction. Product shall be Kohler Model K-\_\_\_\_-\_\_\_\_.

## Installation Notes

Install this product according to the installation guide.



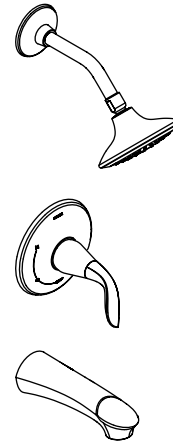
Product Diagram

**Features**

- Premium construction
- MasterClean™ spray nozzles to prohibit mineral build-up for easy cleaning
- Push button diverter on bath and shower trim models [K-T5319, K-T5321]
- Intended for use with Rite-Temp® or HiFlow Rite-Temp® valves
- Heavy duty slip-fit clamp design and NPT threaded spout

**BATH AND SHOWER VALVE TRIM**  
**K-T5318**

**ALSO K-T5319, K-T5320**



**Codes/Standards Applicable**

Specified model meets or exceeds the following:

- ASME A112.18.1/CSA B125.1

**Colors/Finishes**

- CP: Polished Chrome
- Other: Refer to Price Book for additional colors/finishes
- NA: None applicable

**Specified Model**

Model	Description	Colors/Finishes	
K-T5318-4	Bath and shower valve trim (shown)	<input type="checkbox"/> CP	<input type="checkbox"/> Other ____
K-T5319-4	Shower trim only with diverter button	<input type="checkbox"/> CP	<input type="checkbox"/> Other ____
K-T5320-4	Shower trim only less diverter button	<input type="checkbox"/> CP	<input type="checkbox"/> Other ____
K-T5321-4	Mixing valve trim with diverter button – ADA compliant	<input type="checkbox"/> CP	<input type="checkbox"/> Other ____
K-T5322-4	Mixing valve trim less diverter button – ADA compliant	<input type="checkbox"/> CP	<input type="checkbox"/> Other ____

Required Accessories		
K-304-**	Rite-Temp® pressure-balancing valve <b>OR</b>	<input type="checkbox"/> NA
K-2971-**	HiFlow Rite-Temp valve with stops <b>OR</b>	<input type="checkbox"/> NA
K-11748-**	Rite-Temp valve with push-button diverter	<input type="checkbox"/> NA

\*\* For a complete listing of all the Rite-Temp valves, refer to the individual valve Specification Sheet or Roughing-In Sheet.

**Product Specification**

The bath and shower valve trim shall be made of premium construction. Valve shall have MasterClean spray nozzles to prohibit mineral build-up for easy cleaning. Valve shall have a push button diverter on trim models [K-T5319, K-T5321]. Valve shall have heavy duty slip-fit clamp design and NPT threaded spout. Valve is intended for use with Rite-Temp or HiFlow Rite-Temp valves. Valve trim shall be Kohler Model K-T\_\_\_\_-\_\_\_\_ and Rite-Temp valving shall be K-\_\_\_\_-\_\_\_\_-NA.

# REFINIA™ RITE-TEMP®

## Optional Accessories

88526	Thin wall installation kit for K-2971-KS HiFlow Rite-Temp valve	<input type="checkbox"/>	<input type="checkbox"/> CP	<input type="checkbox"/> Other ____
1073881	Deep roughing-in kit for K-304 and K-2971 Rite-Temp valve	<input type="checkbox"/> NA		
1156950	Deep roughing-in kit for K-11748 Rite-Temp valve		<input type="checkbox"/> CP	<input type="checkbox"/> Other ____
K-45129	Shower arm and flange		<input type="checkbox"/> CP	<input type="checkbox"/> Other ____
K-5327	Diverter bath spout		<input type="checkbox"/> CP	<input type="checkbox"/> Other ____
K-5328	Non-diverter bath spout		<input type="checkbox"/> CP	<input type="checkbox"/> Other ____

## Installation Notes

Install the valve trim according to the installation guide.

Install the Rite-Temp valve according to the installation guide.

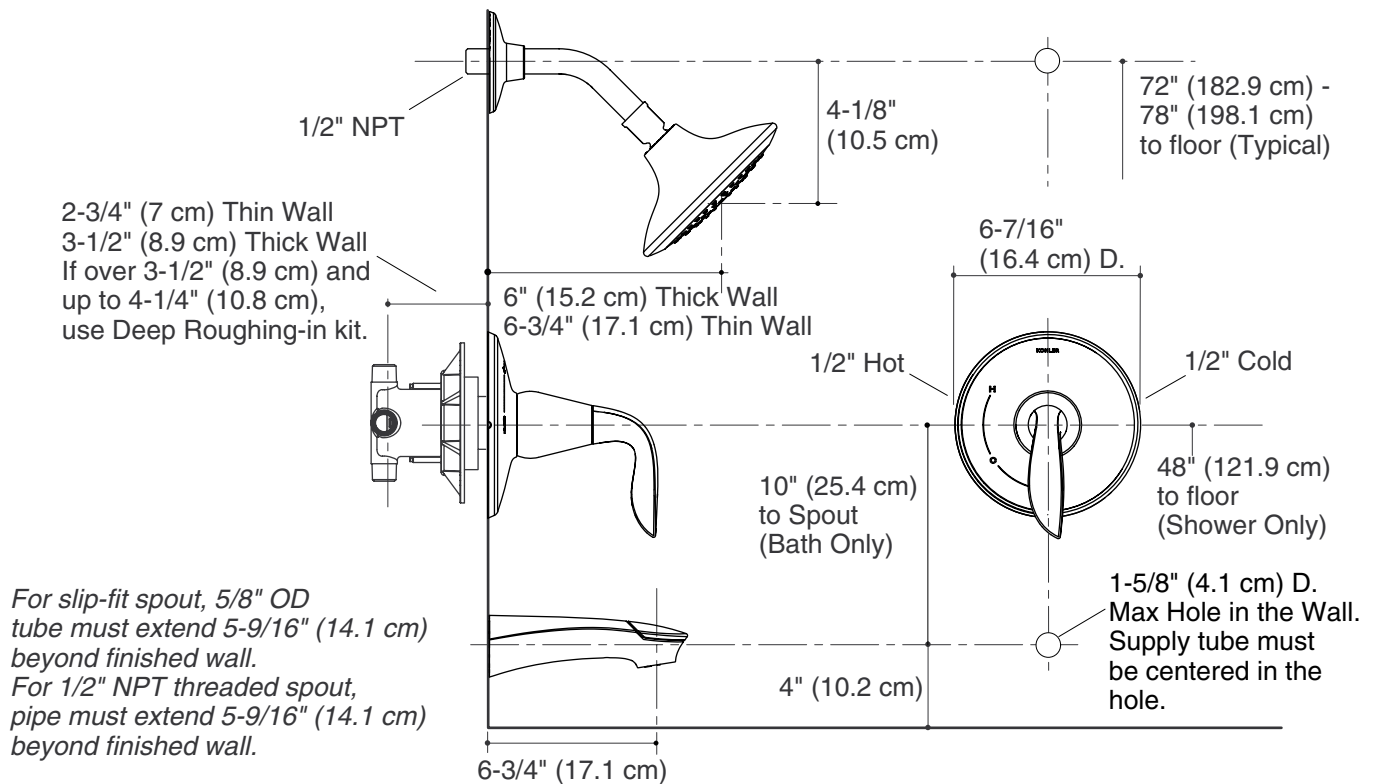


**CAUTION: Risk of product damage.** Long screws, for installing trim, can damage the K-2971-KS valve. Consult the trim installation guide to verify if the thin wall installation kit (88526) is needed.

Avoid cross-flow conditions. Do not install a shut-off device on either valve outlet.

Cap the shower outlet if the deck-mounted spout, diverter, or handshower is connected to the spout outlet.

Install a 7" (17.8 cm) to 18" (45.7 cm) straight pipe or straight tube with single bath elbow between the valve and the wall-mount spout.



## Product Diagram

REFINIA™ RITE-TEMP® BATH AND SHOWER VALVE TRIM

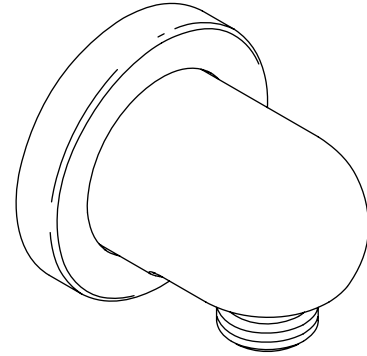
Page 2 of 2  
1157045-4-C

THE BOLD LOOK  
OF **KOHLER**®

### Features

- Brass construction

### WALL-MOUNT SUPPLY ELBOW K-976



### Colors/Finishes

- CP: Polished Chrome
- Other: Refer to Price Book for additional colors/finishes

### Specified Model

Model	Description	Colors/Finishes	
K-976	Wall-mount supply elbow	<input type="checkbox"/> CP	<input type="checkbox"/> Other_____

### Product Specification:

Supply elbow shall be of brass construction. Product is intended for wall-mount installations. Supply elbow shall be Kohler Model K-976-\_\_\_\_\_.

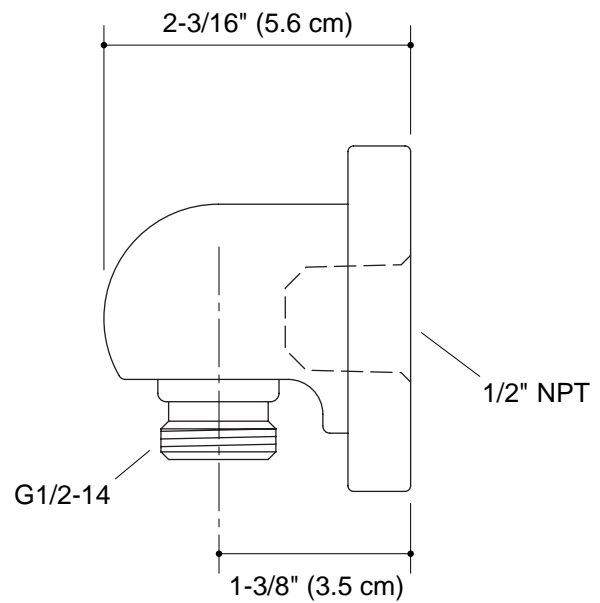
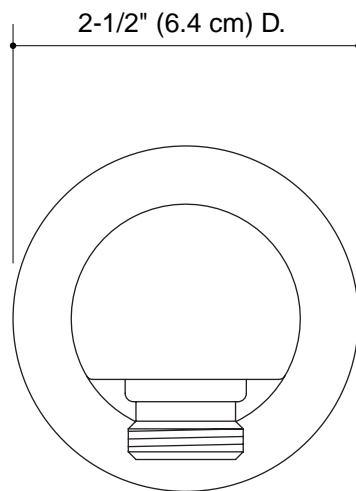
# STILLNESS®

## Technical Information

Applicable product:	
Wall-mount supply elbow	K-976

## Installation Notes

Install this product according to the installation guide.



## Product Diagram



**Features**

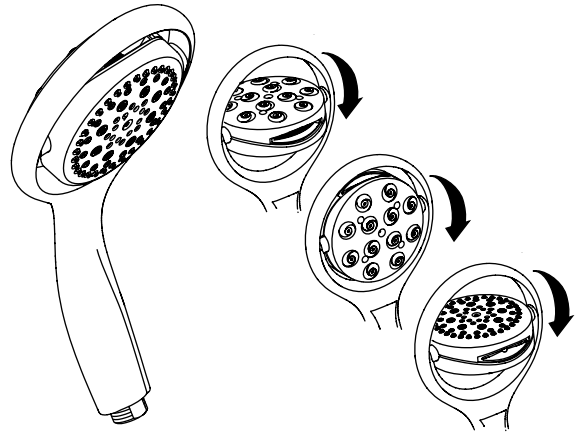
- *Flipstream Technology™*
- *Four unique, experiential spray patterns: Koverage™ Kotton™ Komotion™ Kurrent™*
- *Sleek contemporary design*
- *Adjustable angle for various user heights*
- *2.5 gallon (9.5 L) per minute flow rate*

**Codes/Standards Applicable**

Specified model meets or exceeds the following:

- *ASME A112.18.1/CSA B125.1*

**FOUR-FUNCTION HANDSHOWER  
K-17493**



**Colors/Finishes**

- CP: Polished Chrome
- Other: Refer to Price Book for additional colors/finishes

**Accessories**

- CP: Polished Chrome

**Specified Model**

Model	Description	Colors/Finishes	
K-17493	Four-function handshower	<input type="checkbox"/> CP	<input type="checkbox"/> Other _____
<b>Required Accessories</b>			
K-8593	72" (182.9 cm) metal shower hose <b>OR</b>	U	<input type="checkbox"/> CP
K-9514	60" (152.4 cm) metal shower hose		<input type="checkbox"/> CP

**Product Specification**

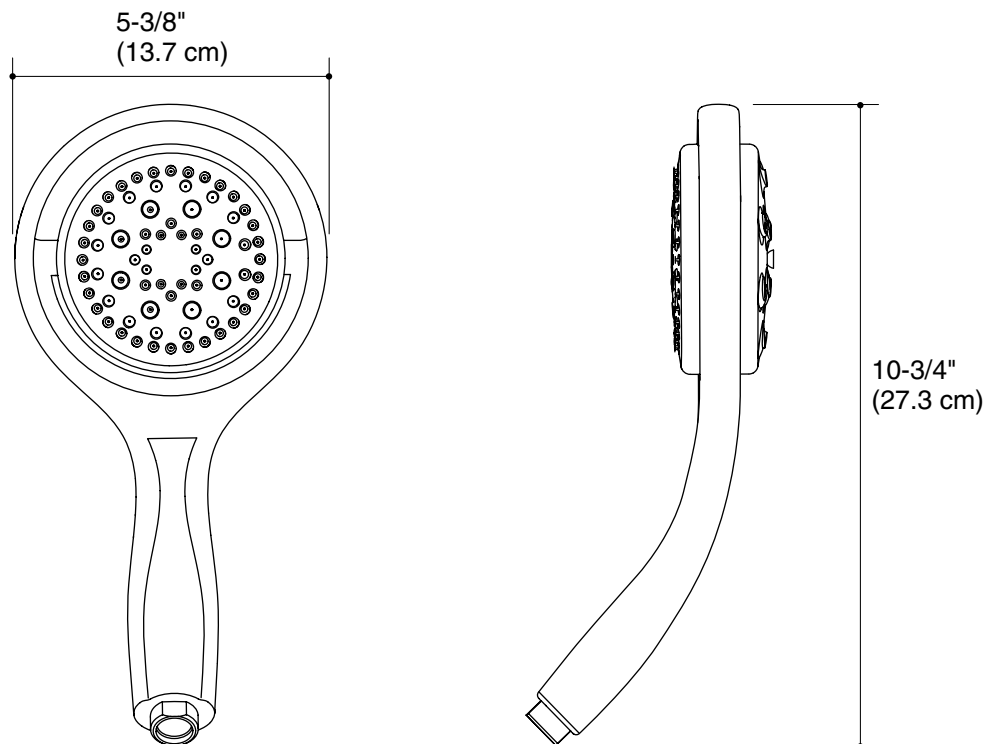
Four-function handshower shall feature a sleek contemporary design with Flipstream Technology. Handshower shall have four unique, experiential spray patterns: Koverage, Kotton, Komotion, and Kurrent. Handshower shall have adjustable angle for various user heights. Handshower shall be available with a 2.5 gallon (9.5 L) per minute flow rate. Four-function handshower shall be Kohler Model K-17493-\_\_\_\_\_.

# FLIPSIDE™ 01

## Installation Notes

Install this product according to the installation guide.

Plumbing codes require an atmospheric vacuum breaker (such as Kohler Model K-9660) be installed in-line with handshowers. Please consult with local plumbing officials.



## Product Diagram

**Features**

- Metal construction
- Front seal plate assembly
- Handle assembly

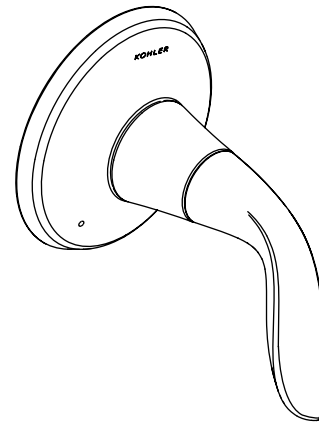
**TRANSFER VALVE TRIM  
K-T5326**

**ADA** **CSA B651** **OBC**

**Codes/Standards Applicable**

Specified model meets or exceeds the following:

- ADA
- ICC/ANSI A117.1
- CSA B651
- OBC
- ASME A112.18.1/CSA B125.1



**Colors/Finishes**

- CP: Polished Chrome
- Other: Refer to Price Book for additional colors/finishes

**Accessories**

- NA: None applicable

**Specified Model**

Model	Description	Colors/Finishes	
K-T5326-4	Transfer valve trim	<input type="checkbox"/> CP	<input type="checkbox"/> Other ____
<b>Required Accessories</b>			
K-728-K	3/4" transfer valve	<input type="checkbox"/> NA	

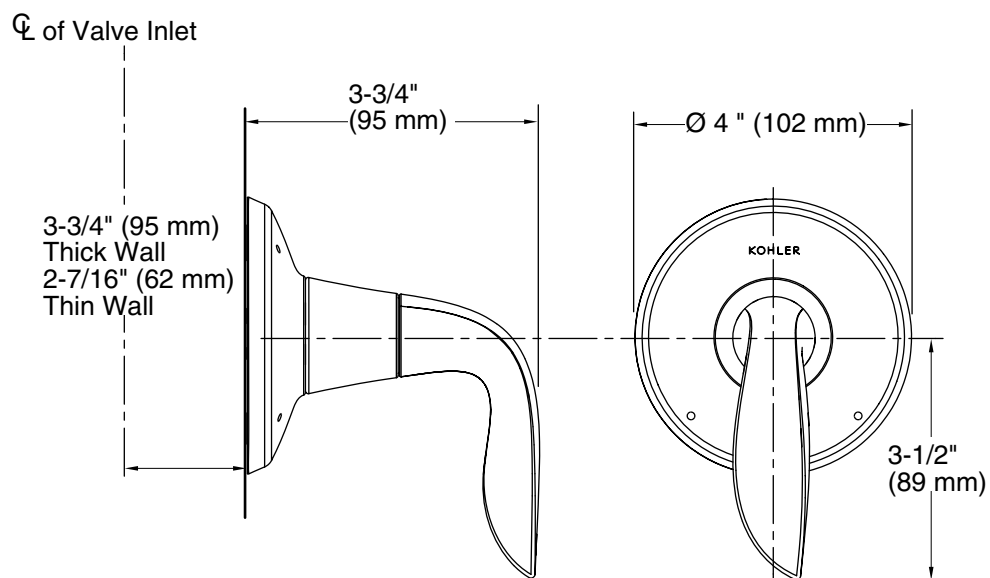
**Product Specification**

Transfer valve trim shall be made of metal construction. Trim shall include front seal plate assembly and handle assembly. Trim shall be Kohler Model K-T5326-4-\_\_\_\_ and valving shall be K-728-K-NA.

# REFINIA™

## Installation Notes

Install this product according to the installation guide.

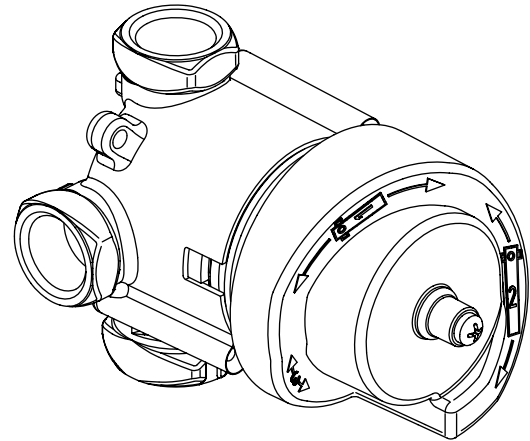


## Product Diagram

**THREE-WAY/TWO-WAY TRANSFER VALVE  
VALVE  
K-728-K**

**Features**

- Brass construction
- Wall-mount
- Brass valve body
- Selection of one or combination of two outlets
- Single-handle control
- One 3/4" NPT inlet connection
- Three 1/2" NPT outlet connections
- Intended for use with Kohler® bath and shower supply valves
- Can be converted from 3 outlets (360° handle rotation) to 2 outlets (120° handle rotation)



**Codes/Standards Applicable**

Specified model meets or exceeds the following:

- ASME A112.18.1/CSA B125.1

**Colors/Finishes**

- NA: None applicable

**Specified Model**

Model	Description	Colors/Finishes
K-728-K	Three-way/Two-way transfer valve	<input type="checkbox"/> NA

**Product Specification**

The single-handle wall-mount three-way/two-way transfer valve shall be made of brass construction with brass valve body. Product shall feature one 3/4" NPT inlet connection and three 1/2" NPT outlet connections. Product can be converted from 3 outlets (360° handle rotation) to 2 outlets (120° handle rotation). Product shall feature a selection of one or combination of two outlets. Product is intended for installation with any Kohler bath and shower supply valves. Transfer valve shall be Kohler Model K-728-K-NA.

# MASTERSHOWER®

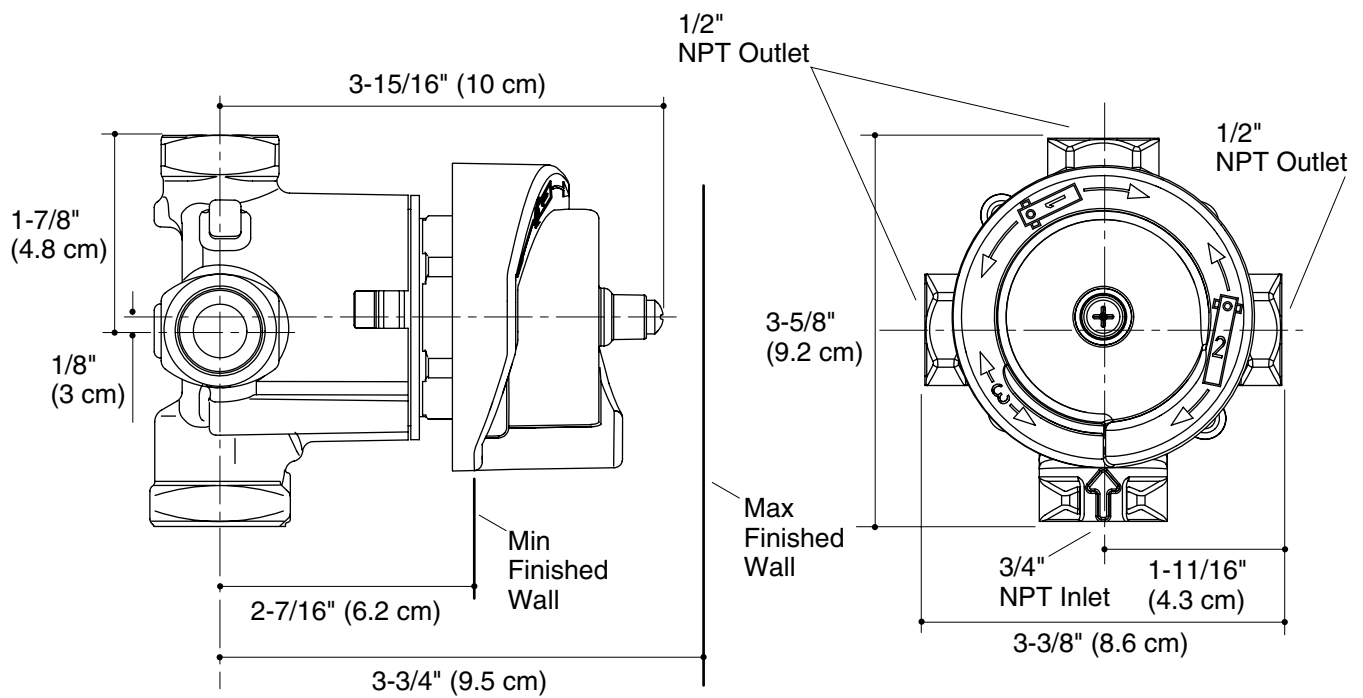
## Installation Notes

Install this product according to the installation guide.

Product is not intended for use as a shut-off valve.

Never plug an outlet port without completing the two-way conversion.

Product requires a mixed water supply to the inlet.



## Product Diagram

MASTERSHOWER® THREE-WAY/TWO-WAY TRANSFER VALVE

Page 2 of 2  
1145567-4-A

THE BOLD LOOK  
OF **KOHLER**®