

Product Information

Applicable products:	
Self-rimming/Undercounter kitchen sink – single-hole	K-3839-1
Self-rimming/Undercounter kitchen sink – 3-hole	K-3839-3
Self-rimming/Undercounter kitchen sink – 4-hole	K-3839-4

Fixture*:	
Basin area	17-1/2" (44.5 cm) x 16-9/16" (42.1 cm) 11-5/8" (29.5 cm) x 16-9/16" (42.1 cm)
Water depth	9" (22.9 cm)
Drain hole	3-5/8" (9.2 cm) D.
* Approximate measurements for comparison only.	

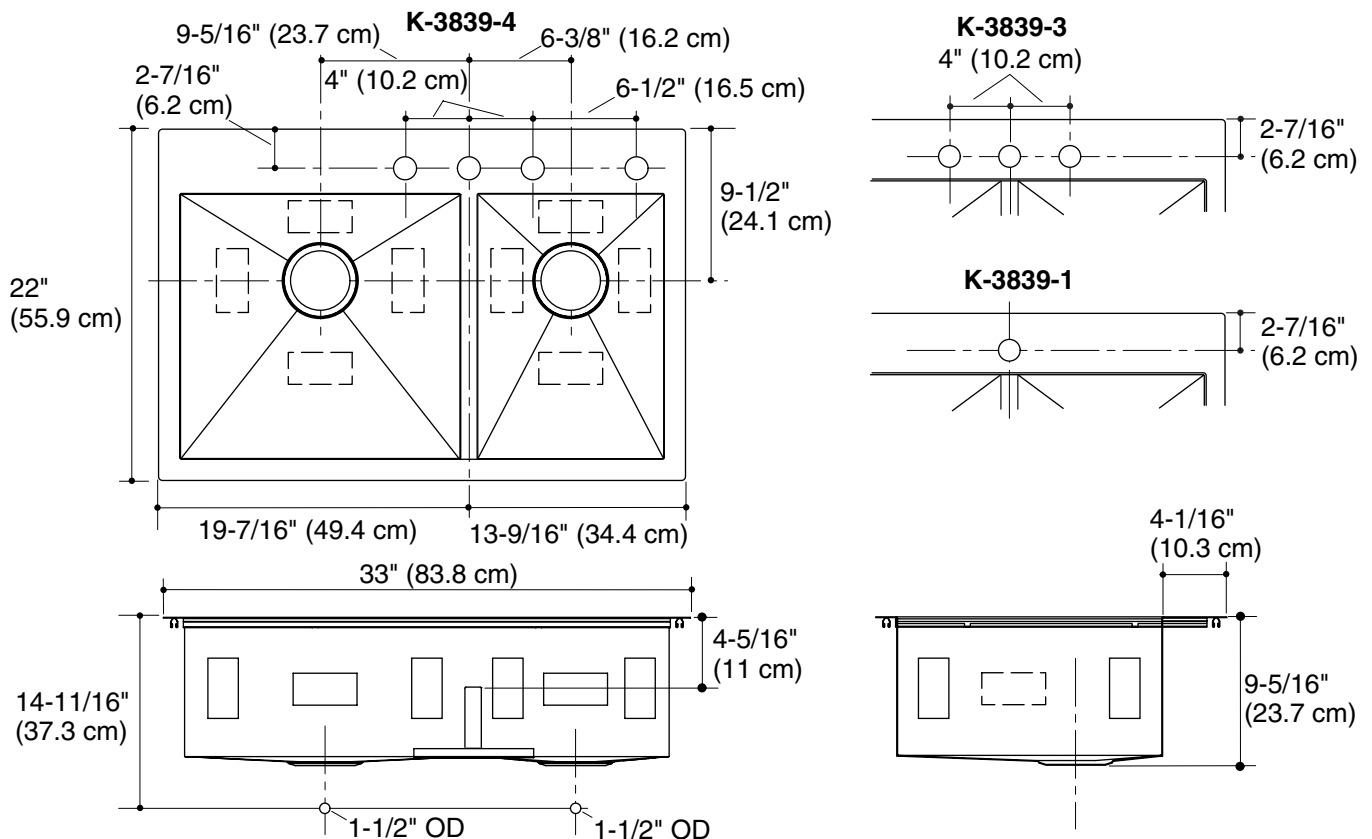
Included components:	
Hardware kit – self-rimming	1130570
Cut-out template	1130823-7

Included accessories:	
Bottom basin rack (fits large sink basin)	K-6646
Optional accessories:	
Bottom basin rack (fits small sink basin QTY = 1)	K-6647
Duostrainer® sink strainer	K-8801
Hardware kit for countertops with a 2-1/2" (6.4 cm) thickness or less	1131881

Installation Notes

Install this product according to the installation guide.

Fixture conforms to ASME Standard A112.19.3/CSA B45.4. All dimensions are nominal.



TRANSITIONAL DESIGN

**SOAP/LOTION DISPENSER
K-1893**

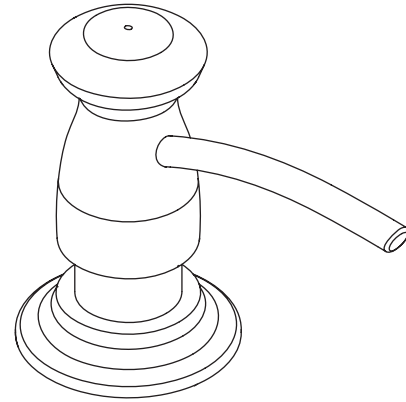
Features

- Brass construction
- Intended for kitchen sink and bathroom lavatory installations
- Refillable from the top side
- 16 fluid ounce (.5 L) capacity
- 3-5/16" (8.4 cm) high pump
- 3-3/8" (8.6 cm) long spout

Codes/Standards Applicable

Specified model meets or exceeds the following:

- None applicable



Colors/Finishes

- CP: Polished Chrome
- Other: Refer to Price Book for additional colors/finishes

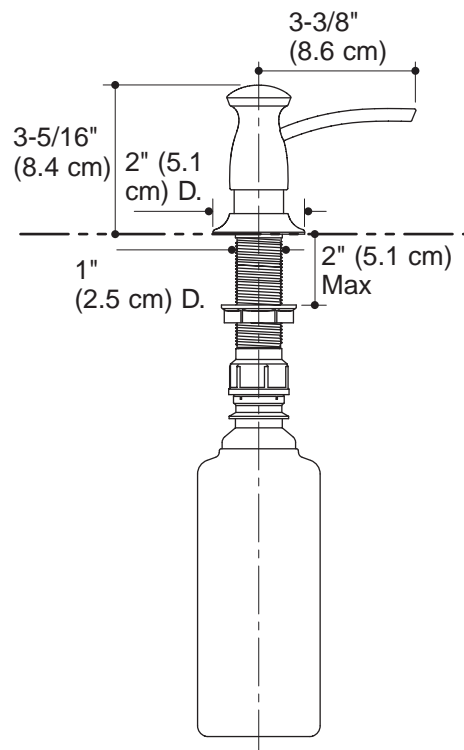
Specified Model:

Model	Description	Colors/Finishes
K-1893	Soap/lotion dispenser - transitional design	<input type="checkbox"/> CP <input type="checkbox"/> Other ____

PRODUCT SPECIFICATION

Transitional design soap/lotion dispenser shall be of brass construction. Product shall feature 3-5/16" (8.4 cm) high pump, 3-3/8" (8.6 cm) long spout, and is refillable from the top side. Product is intended for kitchen sink and bathroom lavatory installations and has a 16 fluid ounce (.5 L) capacity. Soap/lotion dispenser shall be Kohler Model K-1893-____.

TRANSITIONAL DESIGN



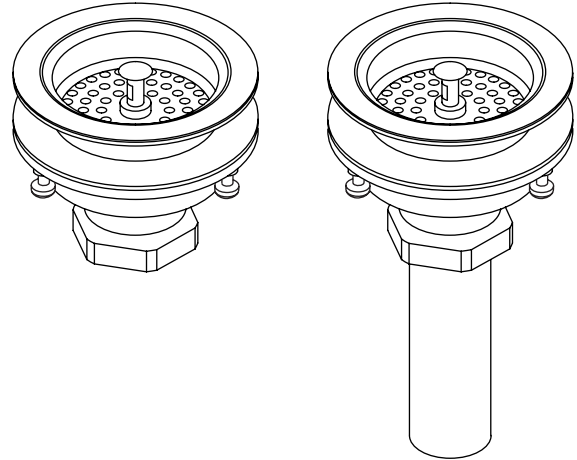
Product Diagram

DUOSTRAINER®

Features

- Brass construction
- For sink installations with 3-1/2" (8.9 cm) or 4" (10.2 cm) outlet
- Removable basket strainer with open/close stopper
- 1-1/2" connection

**SINK STRAINER
K-8801
ALSO K-8799**



Codes/Standards Applicable

Specified model meets or exceeds the following:

- ASME A112.18.1
- CSA B125
- IAPMO/UPC

Colors/Finishes

- CP: Polished Chrome
- PB: Polished Brass
- Other: Refer to Price Book for additional colors/finishes

Specified Model:

Model	Description	Colors/Finishes		
		<input type="checkbox"/> CP	<input type="checkbox"/> PB	<input type="checkbox"/> Other _____
K-8799	Sink strainer less tailpiece	<input type="checkbox"/> CP	<input type="checkbox"/> PB	
K-8801	Sink strainer with tailpiece	<input type="checkbox"/> CP	<input type="checkbox"/> PB	<input type="checkbox"/> Other _____

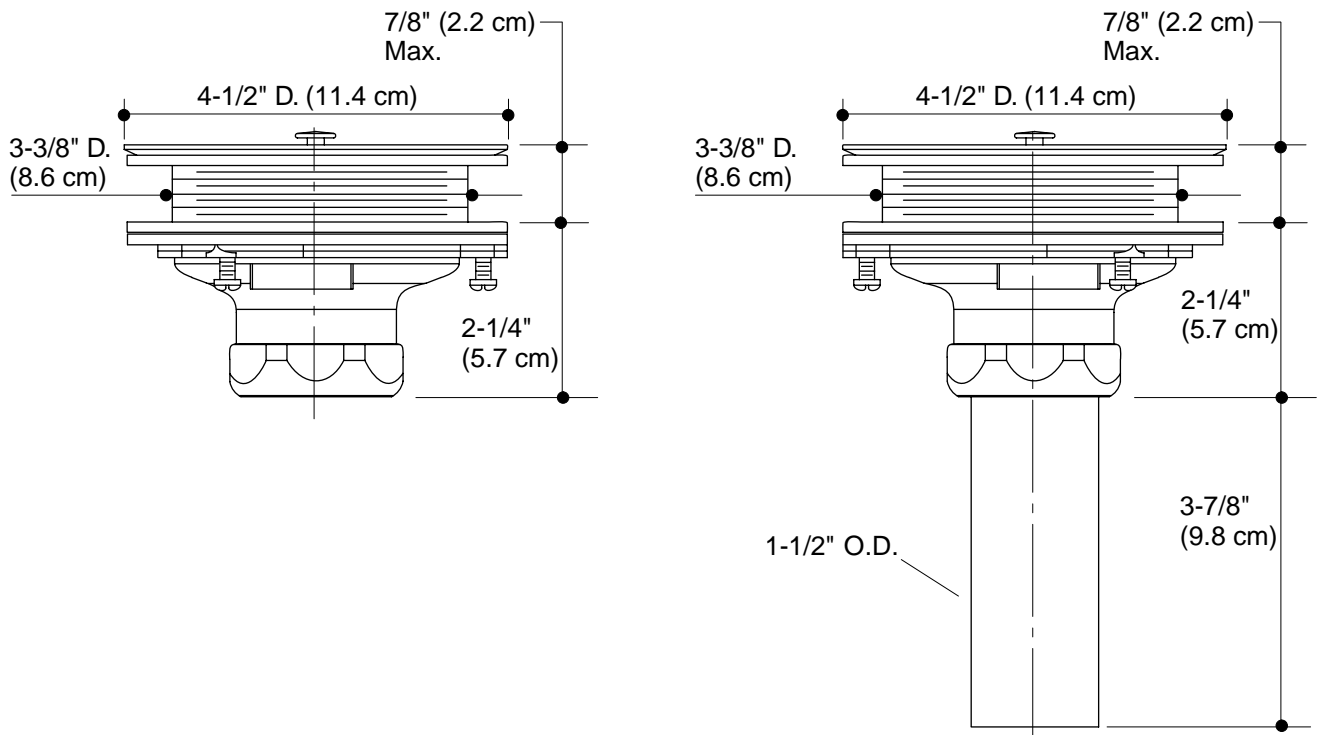
PRODUCT SPECIFICATION

Duostrainer sink strainer shall be of brass construction. Product shall feature removable basket strainer with an open/close stopper, and 1-1/2" connection. Product is intended for sink installations with 3-1/2" (8.9 cm) or 4" (10.2 cm) outlet. Optional feature shall be a brass tailpiece. Strainer shall be Kohler Model K-_____-_____.

DUOSTRAINER®

Installation Notes

Install this product in accordance with the installation instructions.



Product Diagram