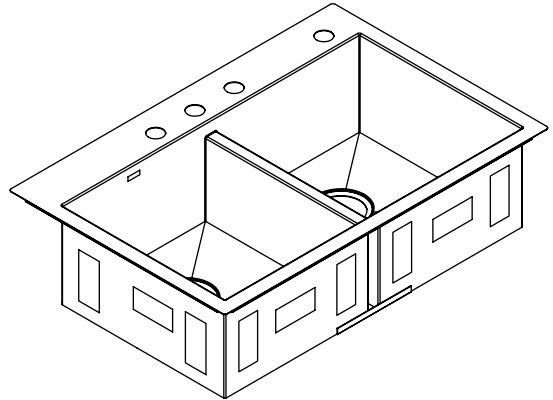


Features

- 18-gauge stainless steel
- Self-rimming or undercounter
- Includes installation hardware
- Double (equal) compartment
- 33" (83.8 cm) x 22" (55.9 cm)

SELF-RIMMING/UNDERCOUNTER KITCHEN SINK K-3820



Codes/Standards Applicable

Specified model meets or exceeds the following:

- ASME A112.19.3/CSA B45.4

Colors/Finishes

- NA: None applicable

Accessories

- CP: Polished Chrome
- NA: None applicable
- Other: Refer to Price Book for additional colors/finishes

Specified Model

Model	Description	Colors/Finishes
K-3820-1	Self-rimming/Undercounter kitchen sink – single-hole	<input type="checkbox"/> NA
K-3820-3	Self-rimming/Undercounter kitchen sink – 3-hole	<input type="checkbox"/> NA
K-3820-4	Self-rimming/Undercounter kitchen sink – 4-hole	<input type="checkbox"/> NA

Optional Accessories

K-8801	Duostrainer® sink strainer	<input type="checkbox"/> CP	<input type="checkbox"/> Other_____
1131881	Hardware kit for countertops with a 2-1/2" (6.4 cm) thickness or less	<input type="checkbox"/> NA	

Product Specification

The kitchen sink shall be 33" (83.8 cm) in length, 22" (55.9 cm) in width. Sink shall be made of 18-gauge stainless steel. Sink shall be undercounter or self-rimming. Sink shall be double equal compartments. Sink shall include installation hardware. Sink shall be Kohler Model K-3820-NA.

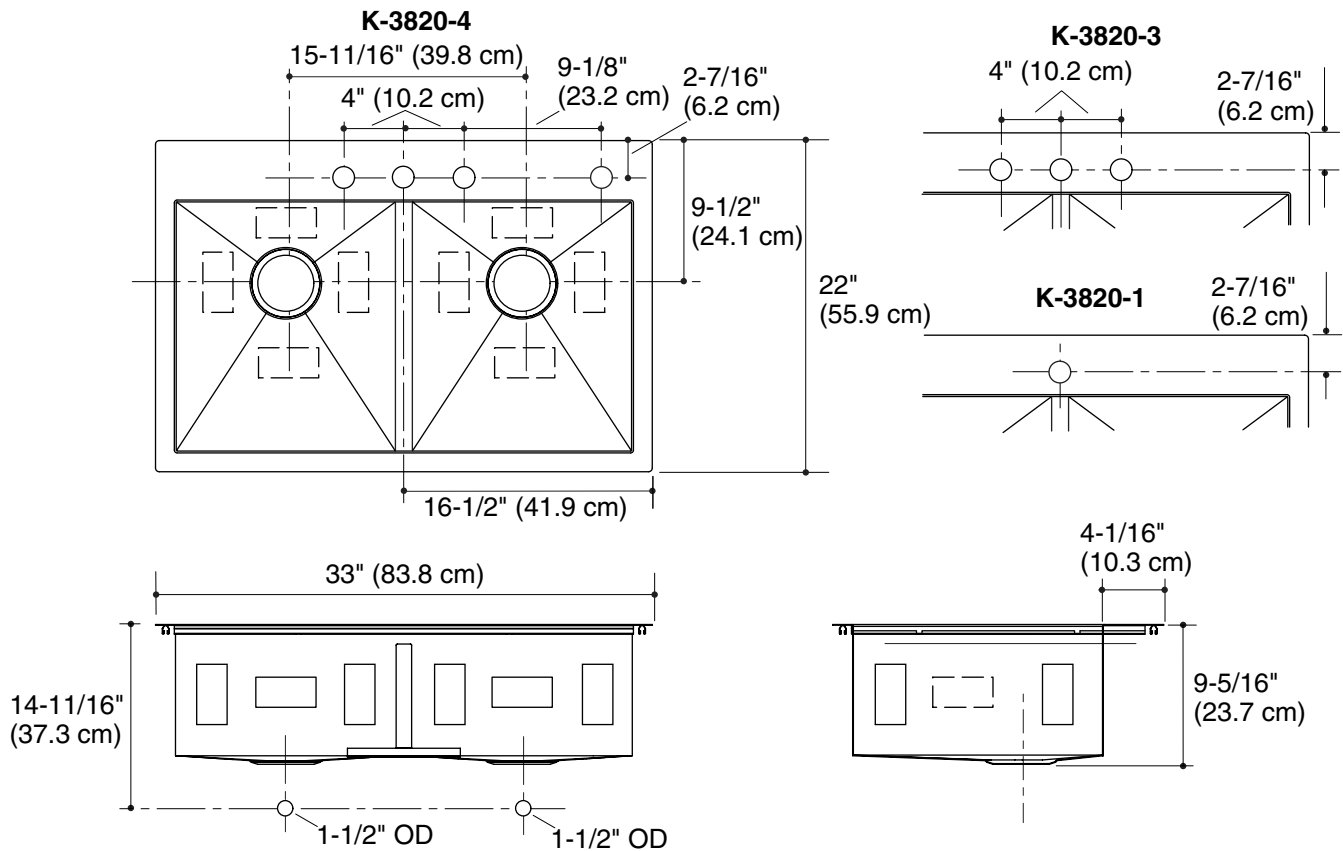
Technical Information

Fixture*:	
Basin area	14-9/16" (37 cm) x 16-9/16" (42.1 cm) 14-9/16" (37 cm) x 16-9/16" (42.1 cm)
Water depth	9" (22.9 cm)
Drain hole	3-5/8" (9.2 cm) D.
* Approximate measurements for comparison only.	

Included components:	
Hardware kit – self-rimming	1130570
Cut-out template	1130821

Installation Notes

Install this product according to the installation guide.



Product Diagram

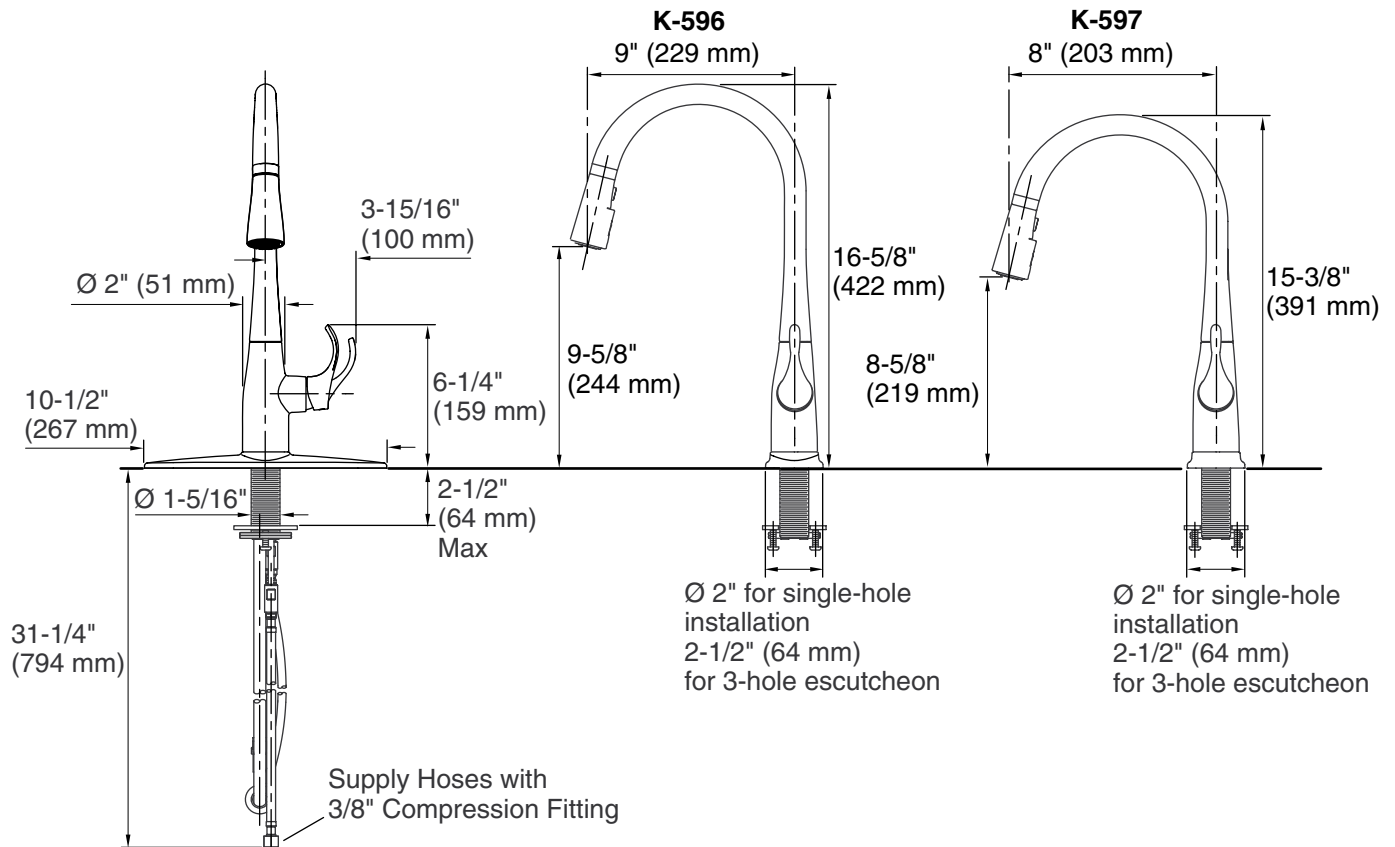
Product Information

Applicable product:	
Pull-down kitchen sink faucet – 9" (229 mm) swing spout reach	K-596
Pull-down kitchen sink faucet – 8" (203 mm) swing spout reach	K-597
Lever handle is ADA, CSA B651, OBC compliant.	
Optional accessories:	
Deep roughing-in kit – provides an additional 2" (51 mm) assembly depth	1012715
Low flow kit – reduces maximum flow to 1.5 gpm (5.7 L) at 60 psi (4.1 bar)	1167289
High flow kit – increases maximum flow to 2.2 gpm (8.3 L) at 60 psi (4.1 bar)	1167290

Installation Notes

Install this product according to the installation guide.

ADA, CSA B651, OBC compliant when installed to the specific requirements of these regulations.

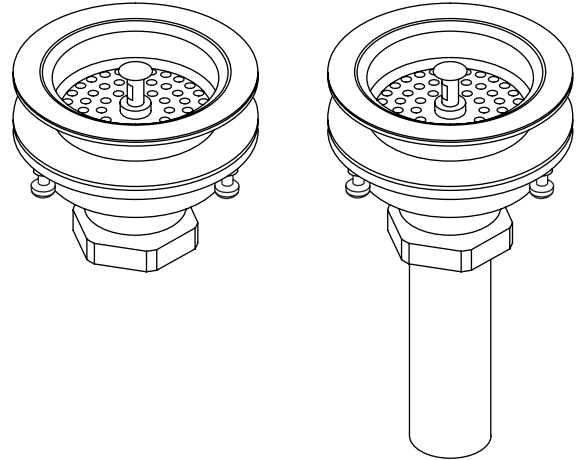


DUOSTRAINER®

Features

- Brass construction
- For sink installations with 3-1/2" (8.9 cm) or 4" (10.2 cm) outlet
- Removable basket strainer with open/close stopper
- 1-1/2" connection

**SINK STRAINER
K-8801
ALSO K-8799**



Codes/Standards Applicable

Specified model meets or exceeds the following:

- ASME A112.18.1
- CSA B125
- IAPMO/UPC

Colors/Finishes

- CP: Polished Chrome
- PB: Polished Brass
- Other: Refer to Price Book for additional colors/finishes

Specified Model:

Model	Description	Colors/Finishes		
		<input type="checkbox"/> CP	<input type="checkbox"/> PB	<input type="checkbox"/> Other _____
K-8799	Sink strainer less tailpiece	<input type="checkbox"/> CP	<input type="checkbox"/> PB	
K-8801	Sink strainer with tailpiece	<input type="checkbox"/> CP	<input type="checkbox"/> PB	<input type="checkbox"/> Other _____

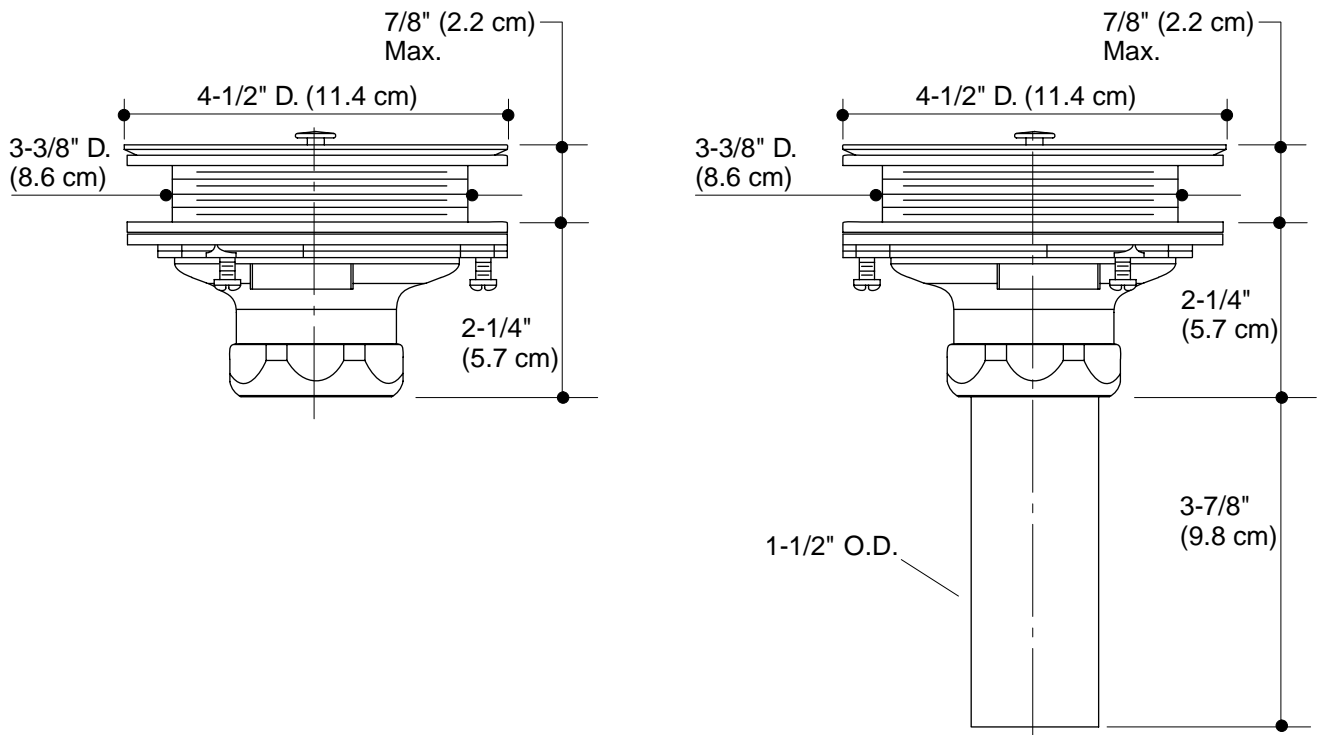
PRODUCT SPECIFICATION

Duostrainer sink strainer shall be of brass construction. Product shall feature removable basket strainer with an open/close stopper, and 1-1/2" connection. Product is intended for sink installations with 3-1/2" (8.9 cm) or 4" (10.2 cm) outlet. Optional feature shall be a brass tailpiece. Strainer shall be Kohler Model K-_____-_____.

DUOSTRAINER®

Installation Notes

Install this product in accordance with the installation instructions.



Product Diagram