

### BATH FAUCET TRIM **K-T8235** ALSO K-300-K

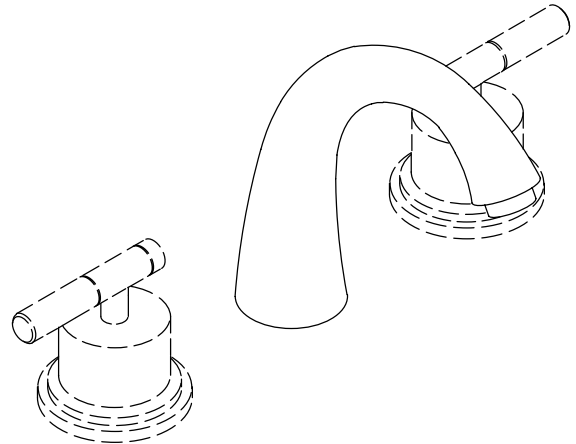
#### FEATURES

- Brass construction
- Deck-mount
- 7-1/2" high-arch non-diverter spout with slip-fit connection
- Variety of handle style options

#### CODES/STANDARDS APPLICABLE

Specified model meets or exceeds the following:





- ASME/ANSI A112.18.1M
- CSA B125



#### COLORS/FINISHES

- CP Polished Chrome
- PB Polished Brass
- Other Refer to Faucets Price Book for additional finishes

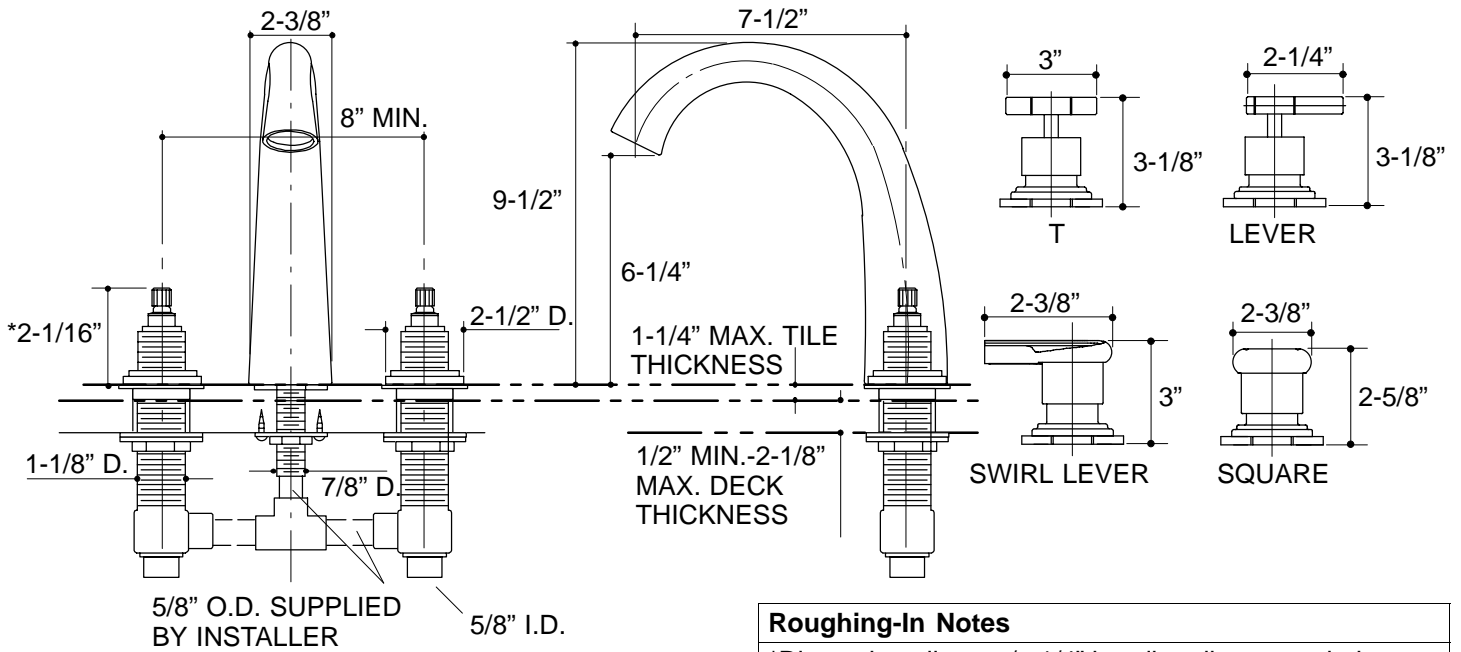
**SPECIFIED MODEL:** For complete faucet, both faucet trim and valve system must be specified.

Model	Description				
K-T8235-2	With Square Handles	<input type="checkbox"/> CP <input type="checkbox"/> PB			
K-T8235-4	With Lever Handles		<input type="checkbox"/> CP <input type="checkbox"/> PB <input type="checkbox"/> Other_____		
K-T8235-4A	With Swirl Lever Handles			<input type="checkbox"/> CP <input type="checkbox"/> PB	
K-T8235-6	With T-Handles				<input type="checkbox"/> CP <input type="checkbox"/> PB <input type="checkbox"/> Other_____

<b>Required Accessory</b>	
---------------------------	---

<b>PRODUCT SPECIFICATION:</b> Two-handle deck-mount high-flow bath faucet trim shall be of brass construction. Product shall include 7-1/2" high-arch non-diverter spout with slip-fit connection, and handles. Faucet trim shall be Kohler Model K-T8235-_____-_____-_____- and valve system shall be Kohler Model K-300-K-NA.	<input type="checkbox"/> NA
---	-----------------------------

# TABORET®



### Roughing-In Notes

\*Dimension allows +/- 1/4" handle adjustment during handle trim installation.

.9<34

## PRODUCT DIAGRAM