

**TRANSFER VALVE TRIM  
K-T376**

ADA

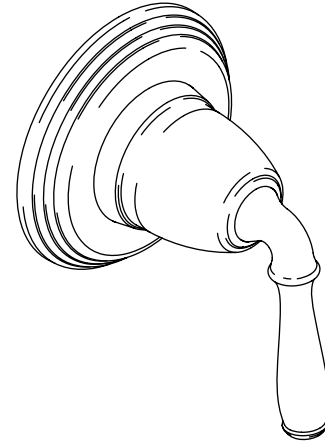
**Features**

- Brass construction
- Available with lever handle
- Front seal plate assembly
- Handle assembly
- Complements Devonshire® Suite

**Codes/Standards Applicable**

Specified model meets or exceeds the following:

- ADA
- ASME A112.18.1/CSA B125.1
- ICC/ANSI A117.1



**Colors/Finishes**

- CP: Polished Chrome
- PB: Vibrant® Polished Brass
- Other: Refer to Price Book for additional colors/finishes
- NA: None applicable

**Specified Model**

For complete valve, both faucet trim and valving must be specified.			
Model	Description	Colors/Finishes	
K-T376-4	Transfer valve trim	<input type="checkbox"/> CP	<input type="checkbox"/> PB <input type="checkbox"/> Other ____
Required Accessories			
K-728-K	3/4" Transfer valve	<input type="checkbox"/> NA	

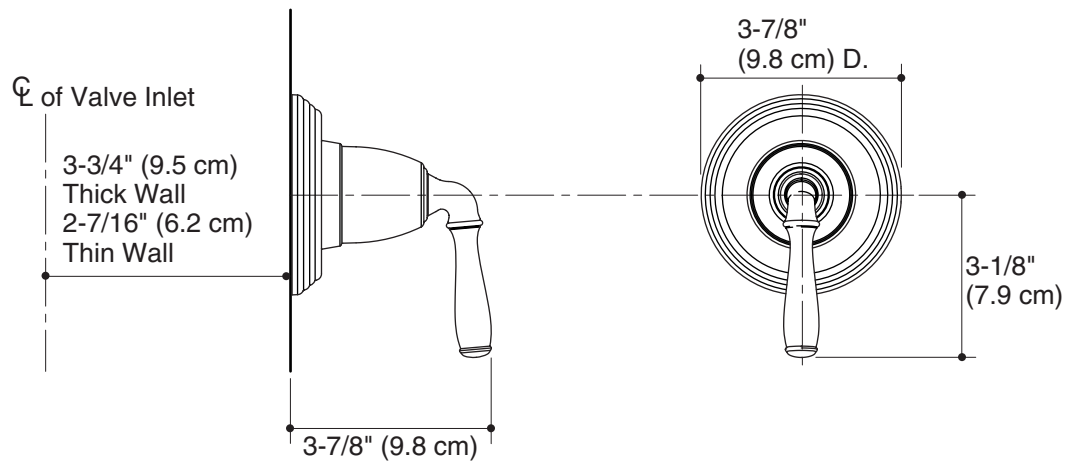
**Product Specification**

Thermostatic faucet trim shall be of brass construction. Trim shall include from seal plate assembly and handle assembly. Trim shall complement the Devonshire® suite. Transfer valve trim shall be Kohler Model K-T376-4-\_\_\_\_ and transfer valve shall be K-672-K-NA.

# DEVONSHIRE®

## Installation Notes

Install this product according to the installation guide.



K-T376

## Product Diagram