

Features

- Two-handle bath faucet trim.
- Trim only, requires valve to complete installation.
- 6-5/8" (168 mm) non-diverter spout with slip-fit connection.
- Scroll lever handles.
- KOHLER finishes resist corrosion and tarnishing, exceeding industry durability standards two times.
- Completes Revival design solution with KOHLER® fixtures and accessories.

Material

- Brass construction.

Installation

- Bath-mount

Required Accessories

K-300-K High Flow Bath Valve

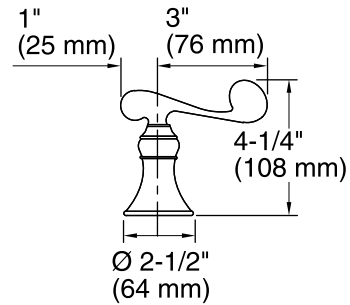
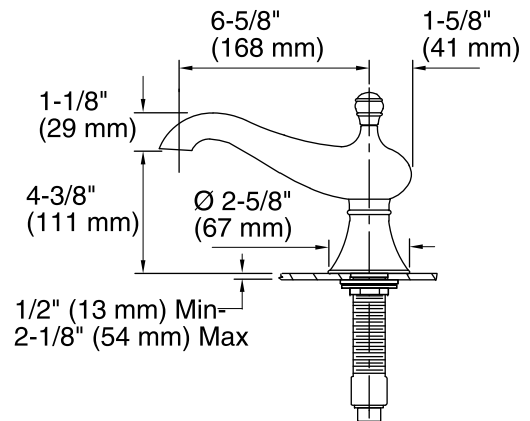
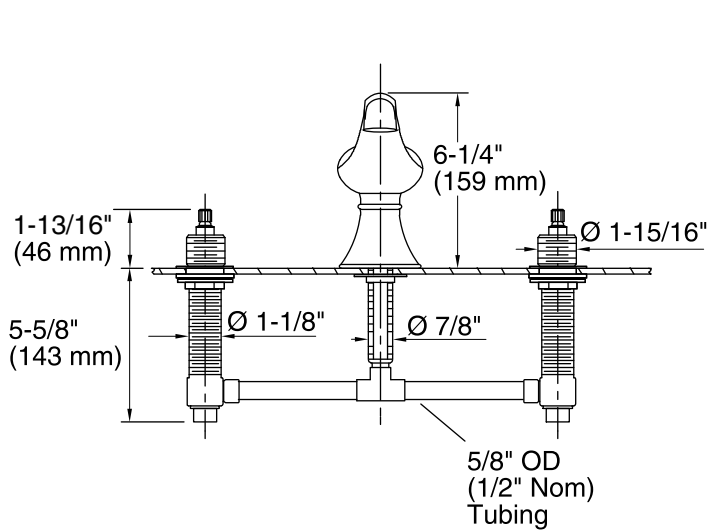


Codes/Standards

ASME A112.18.1/CSA B125.1

KOHLER® Faucet Lifetime Limited Warranty

See website for detailed warranty information.



Technical Information

All product dimensions are nominal.

Notes

Install this product according to the installation guide.