

INSTALLATION INSTRUCTIONS

1. BEFORE YOU BEGIN

HOW TO USE THESE INSTRUCTIONS

Please read these instructions carefully to familiarize yourself with the required tools, materials, and installation sequences. Follow the sections that pertain to your particular installation. This will aid you in avoiding the unnecessary expense associated with improper installation. In addition to proper installation, read all operating and safety instructions.

All information in these instructions is based on the latest product information available at the time of publication. Kohler Co. reserves the right to make changes in product characteristics, packaging, or availability at any time without notice.

MODEL NUMBERS

- K-T16119
- K-T16122
- K-T16124
- K-T16119M
- K-T16122M
- K-T16124M

PRODUCT REQUIREMENTS

- Deep rough-in kit #73444 allows an additional 1/2" (1.3cm) of tile thickness.
- Plaster guard diameters are approximately 1-5/8" (4.1cm) for the valve and 7/8" (2.2cm) for the spout.
- Installer-supplied copper tubing to be: 5/8" O.D. (1/2" nominal).
- Install water hammer arrestors in supply lines near the valves.

INSTALLER INFORMATION

- These instructions cover two methods of installation: installation on finished deck or bath rim, and installation on rough (unfinished) deck (to be covered later with tile or other finish material).
- Leave protective sleeve on spout supply tube until spout installation. This is an O-Ring sealing surface which may be damaged when unprotected.
- Finish deck material must fit closely to the diameters of the plaster guards, especially the spout plaster guard.
- Provide an access panel to valves from underside of deck.

TOOLS AND MATERIALS REQUIRED

- Open end/adjustable wrenches
- Adjustable arc pliers
- 1/2" Nom. (5.8" O.D.) tubing
- Tubing Cutter
- Hole cutting equipment
- Soldering equipment and supplies
- Phillips screwdriver

ROUGHING-IN DIMENSIONS – SPOUT AND HANDLES

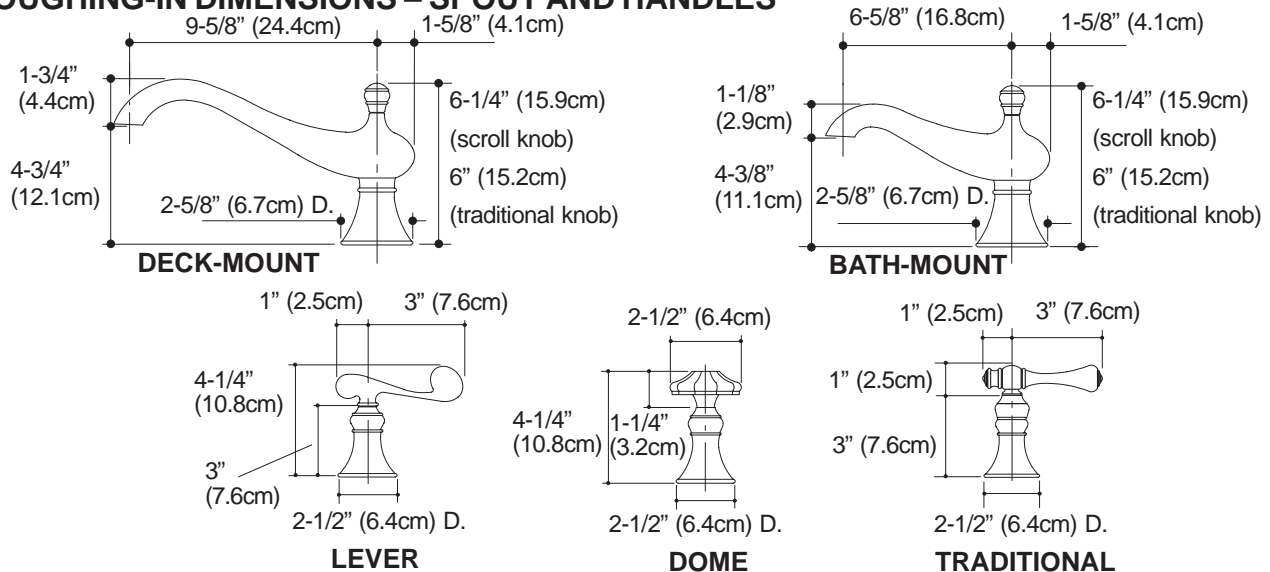


Fig. #1

ROUGHING-IN DIMENSIONS – CONTINUED

X = Distance from centerline of spout inlet to front of spout base plus 1/2" (1.3cm).

Y = Distance between valve centerlines may vary depending on your installation requirements.

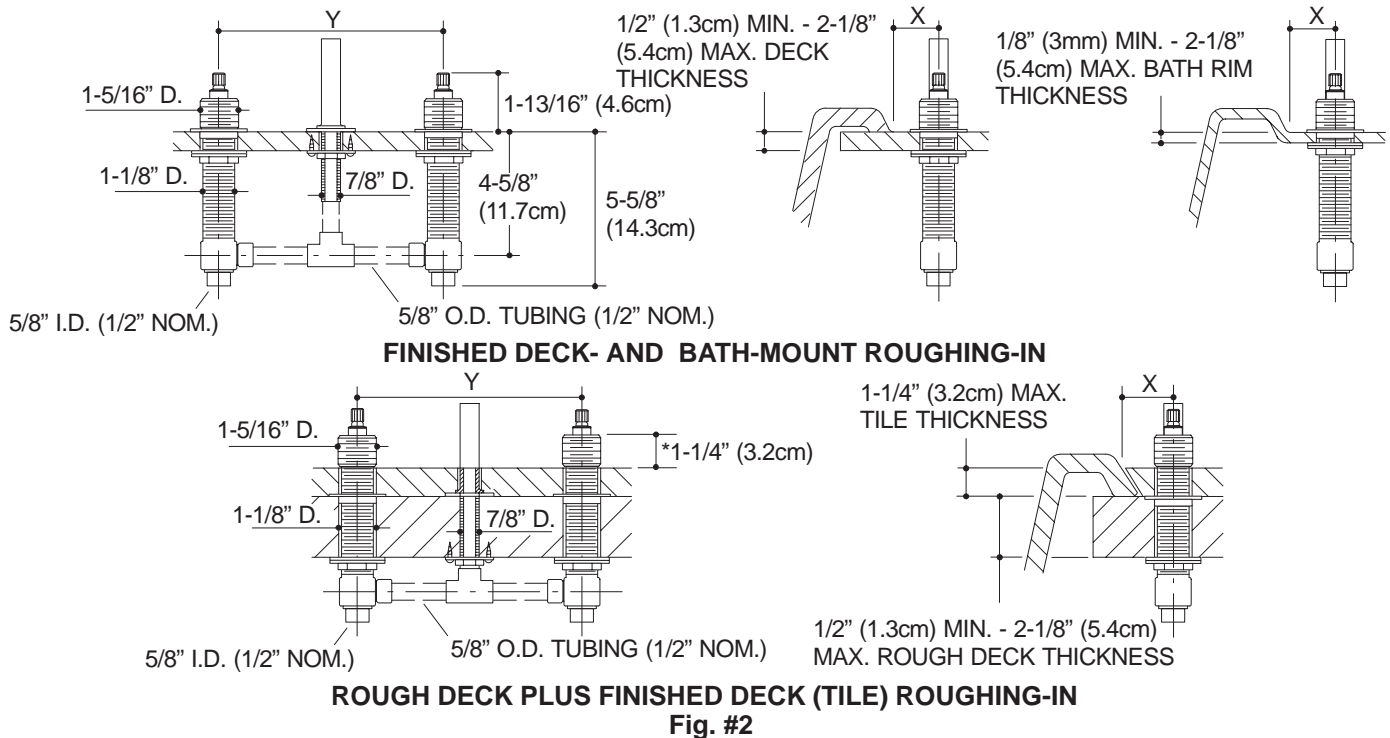
* Dimension allows for ±1/4" (6mm) handle adjustment during handle trim installation.

Diameter of hole in deck for spout = 1-1/8" (2.9cm) Max.

Diameter of hole in deck for valve = 1-1/2" (3.8cm) Max.

Thin deck/bath rim installations require additional support under deck/bath rim. Use 1/2" exterior grade plywood.

For installations on a rough (unfinished) deck to be covered later with tile, the tile thickness must not exceed 1-1/4" (3.2cm).



2. INSTALLATION

PREPARATION

For installations with 8" (20.3cm) centers using copper tubing (1/2" nominal, 5/8" O.D.), cut tubing to the lengths as follows:

2-pieces: 2-7/8" (7.3cm) long

1-piece: 2-3/8" (6cm) long (for finished deck or bath rim installation only).

For non-8" (20.3cm) center installations, adjust tubing lengths as necessary.

INSTALL SPOUT SUPPLY TUBE

Slide brass washer from bottom of spout supply tube over threads until washer reaches supply tube shoulder.

Insert spout supply tube through mounting hole from top of deck/bath rim. Ensure flat portion of washer faces forward. Spout supply tube will be suspended by washer.

Slide plate (oriented with tabs toward deck) and washer onto spout supply tube from bottom and thread on mounting nut. Tighten nut.

Secure plate to deck or wooden support with two wood screws.

NOTE: Leave protective sleeve on spout supply tube until spout installation.

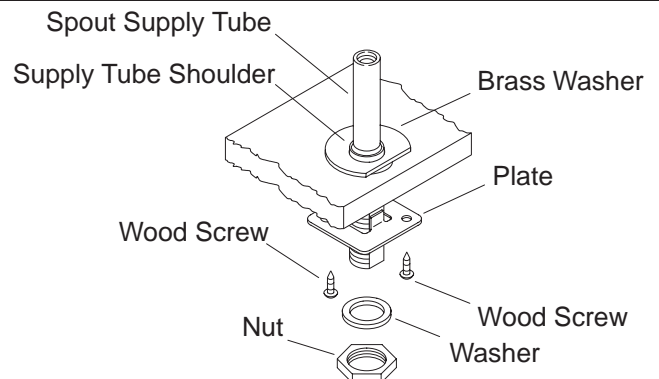


Fig. #3

INSTALL VALVE BODIES

Thread one mounting nut, flange side up, followed by one fiber washer and one rubber washer onto each valve body.

Insert the 2-7/8" (7.3cm) long copper tubes between the valve bodies and 1/2" tee. For a finished deck or bath rim installation only, insert the 2-3/8" (6cm) long copper tube into top of tee.

Do not solder connections yet.

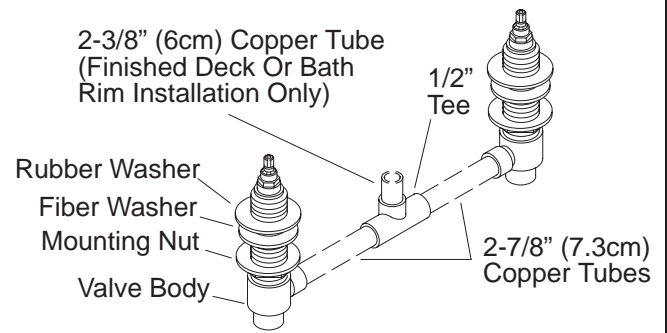


Fig. #4

NOTE: Orient valve body marked "COLD" so it is on the right when facing the front of the faucet.

Insert valve bodies through mounting holes from bottom of deck/bath rim. For finished deck or bath rim installation, mate copper tube from tee with spout supply tube. Hold in place.

Place a collar with flange side up on each valve body and thread down to at least 1" (2.5cm) from top thread on valve body.

Install threaded sleeve on each valve body until sleeve bottoms on valve body.

Back up collar until it contacts sleeve.

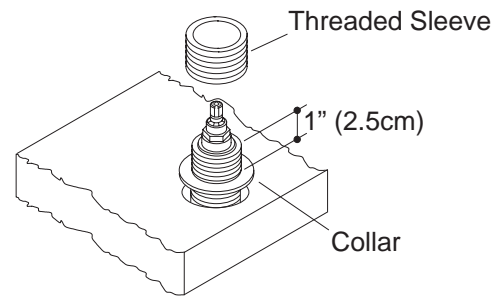


Fig. #5

NOTE: For finished deck/bath rim installations, perform procedures of this frame. For rough (unfinished) deck installations, omit procedures in this frame and perform procedures in frames **Fig. #7 thru Fig. #11**.

Tighten mounting nuts on each valve body underneath deck/bath rim.

Solder copper tubes to valve bodies, tee and spout supply tube.

Solder hot and cold water tubes to valve body inlets. Ensure cold supply is on right hand side.

Proceed to Section 3.

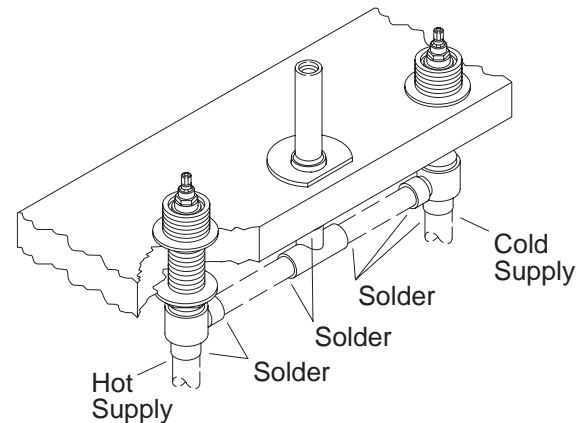


Fig. #6

NOTE: This frame applicable to rough (unfinished) deck installations only.

Set Valve Body Height: Use one of the following two formulas to calculate the valve body clearance required for the finish material at your installation.

If tile to be installed measures less than 1" (2.5cm) thick, add that measurement to 1-1/4" (3.2cm).

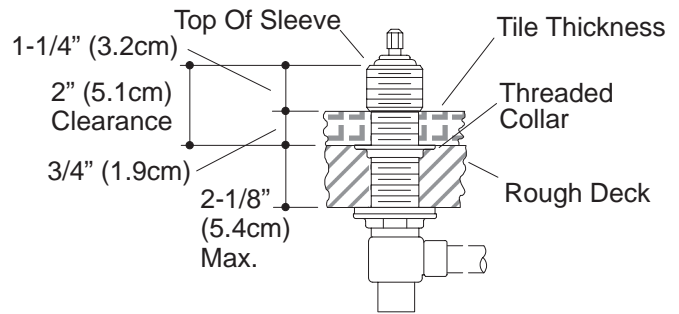
Example #1: Tile thickness (3/4" (1.9cm)) + 1-1/4" (3.2cm) = 2" (5.1cm) clearance.

If the tile to be installed measures between 1" (2.5cm) and 1-1/4" (3.2cm) thick, add only 1" (2.5cm) to 1-1/4" (3.2cm).

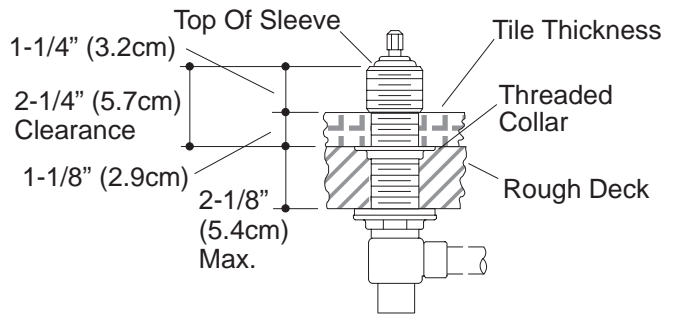
Example #2: Tile thickness (1-1/8" (2.9cm)) = 1" (2.5cm) + 1-1/4" (3.2cm) = 2-1/4" (5.7cm) clearance.

Adjust threaded collar until the dimension from the top of the sleeve to the top of the rough deck surface equals the clearance requirement you calculated.

Note this dimension. You will need to use it again after connecting the supply tube.



EXAMPLE #1



EXAMPLE #2

Fig. #7

NOTE: This frame applicable to rough (unfinished) deck installations only.

Supply Tube Connection: Measure distance from bottom of spout supply tube to top of tee.

Add 1" (2.5cm) to this measurement and cut a piece of 1/2" nominal (5/8" O.D.) copper tubing to fit into the supply tube and tee port.

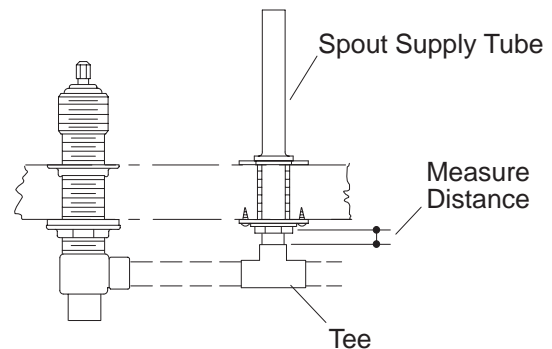


Fig. #8

NOTE: This frame applicable to rough (unfinished) deck installations only.

Back off threaded collars as far as possible without removing them. Pivot the valve bodies enough to remove the tee and two pieces of tubing. (If valve body holes are smaller than recommended, it may be necessary to remove the entire valve body assembly.)

Install tubing into tee. Mate copper tube from tee with spout supply tube. Pivot the valve bodies onto the two pieces of copper tubing.

Do not solder at this time.

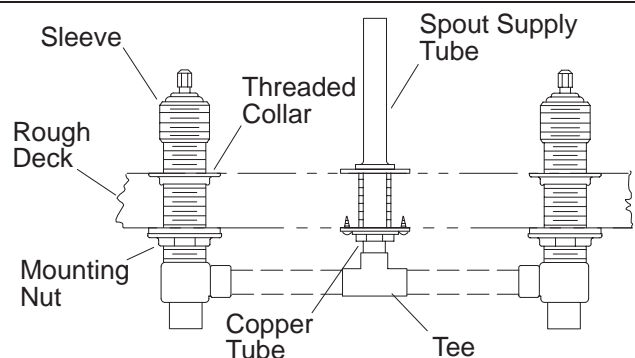


Fig. #9

NOTE: This frame applicable to rough (unfinished) deck installations only.

Reset Valve Body Height: Adjust the threaded collars until the dimension from the top of sleeve to the top of the rough deck surface equals the the clearance requirement you calculated in frame **Fig. #7** .

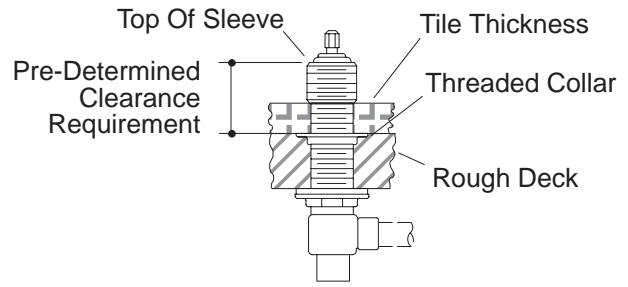


Fig. #10

NOTE: This frame applicable to rough (unfinished) deck installations only.

Tighten mounting nuts on each valve body underneath deck.

Solder copper tubes to valve bodies, tee and spout supply tube.

Ensure cold supply is on right hand side.

Solder hot and cold water supply tubes to valve body inlets.

Proceed to Section 3.

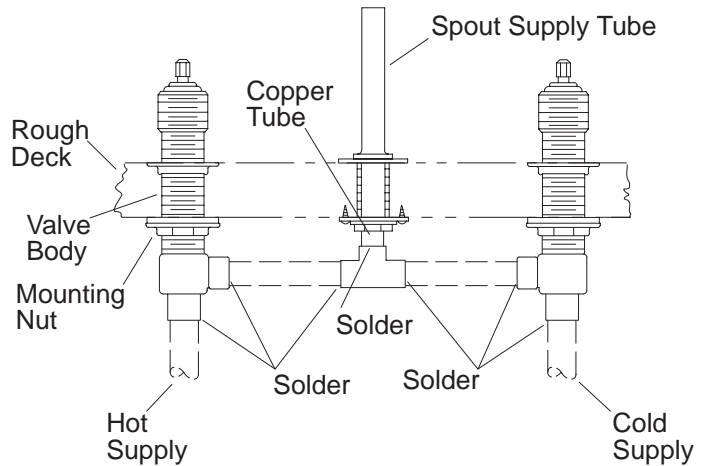


Fig. #11

3. INSTALLATION CHECKOUT (ALL INSTALLATIONS)

Thread 3/8" pipe plug into top of spout supply tube.

Ensure valves are closed (cold fully counterclockwise, hot fully clockwise).

Turn on main water supply and check complete installation for leaks with valves closed and open. Repair as required.

Close both valves. Turn off main water supply.

WARNING: Risk of personal injury. Lines will be pressurized. Do not lean over pipe plug when turning or removing the plug.

Wrap a towel around the pipe plug to prevent water spray. Water will purge from the supply tube when you remove the plug.

Carefully back out pipe plug to relieve pressure.

Thread pipe plug into spout supply tube. Leave pipe plug installed until spout and handle installation.

Install cardboard plaster guards over both valves and spout supply tube. Leave in place until spout and handle installation.

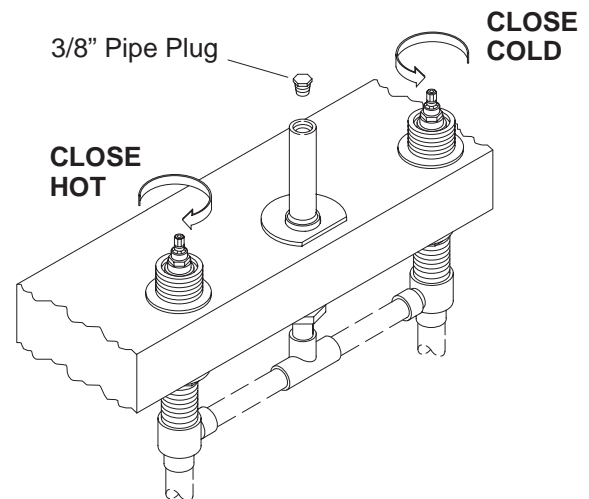


Fig. #12

4. INSTALL TILE (IF APPLICABLE)

Verify that there will be a 1" (2.5cm) to 1-1/2" (3.8cm) distance from the top of the sleeve to the top of the tile. If not, do not install tile due to improper valve installation.

If proper clearance exists, install tile up to plaster guards on valves and spout supply tube.

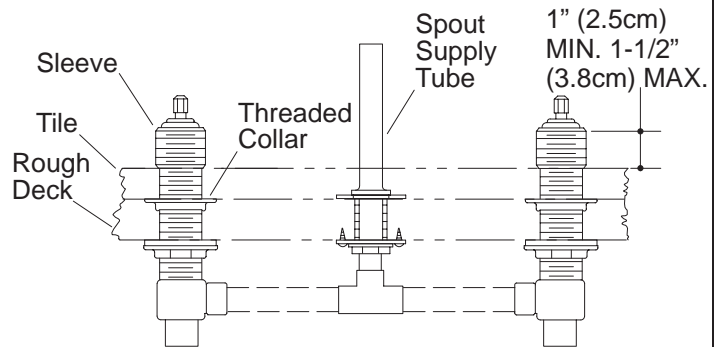


Fig. #13

5. INSTALL SPOUT

Ensure valves are closed (cold fully counterclockwise, hot fully clockwise).

Turn off main water supply.

WARNING: Risk of personal injury. Lines may be pressurized. Do not lean over pipe plug when turning or removing the plug.

Wrap a towel around the pipe plug to prevent water spray. Water may purge from the supply tube when you remove the plug.

Carefully remove pipe plug.

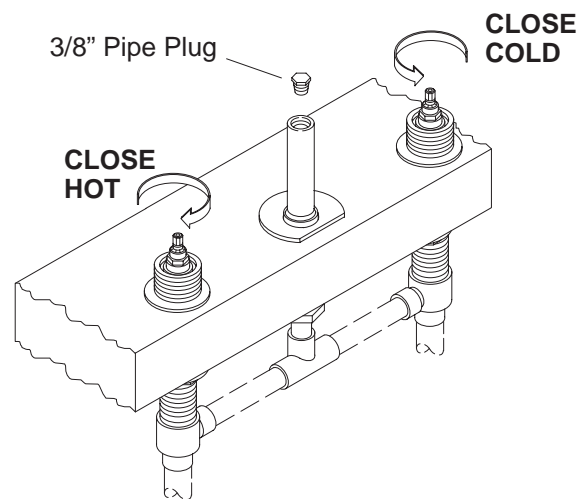


Fig. #14

Remove cardboard plaster guard from spout supply tube.

Cut off spout supply tube 1-1/4" (3.2cm) above the bath rim, finished deck or tile.

CAUTION: Risk of product damage. Ensure all burrs are removed from supply tube to prevent damage to O-Ring seal inside the sleeve.

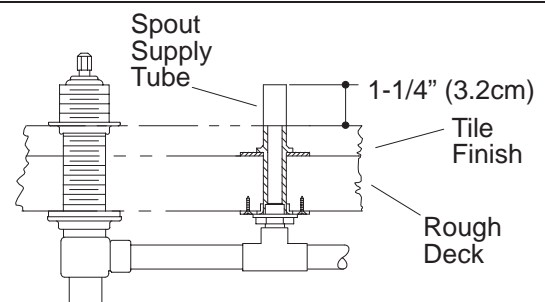


Fig. #15

NOTE: Following step is applicable to a tile covered rough deck installation only.

Slide brass washer, flat side facing forward, on spout supply tube. Brass washer is furnished with spout.

NOTE: Washer is not needed for bath rim/finished deck installation.

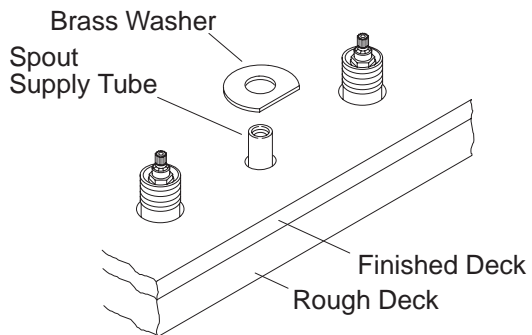


Fig. #16

Back off screws in sleeve, and with a twisting motion install sleeve on spout supply tube until it contacts washer surface.

Align sleeve so that screws are not facing directly forward or backwards. Tighten screws.

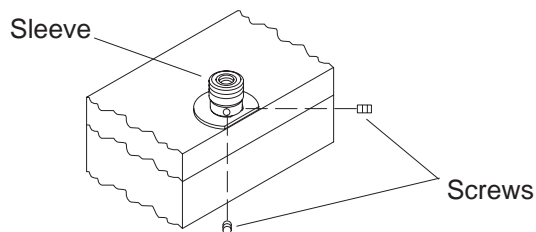


Fig. #17

CAUTION: Risk of product damage. Use care when installing spout assembly to prevent damage to O-Ring seal on outside of sleeve.

Place ring of plumbers putty around underside of spout. Install spout on sleeve by carefully pressing down until spout base contacts deck, bath rim, or tile. Align spout as desired and tighten screw.

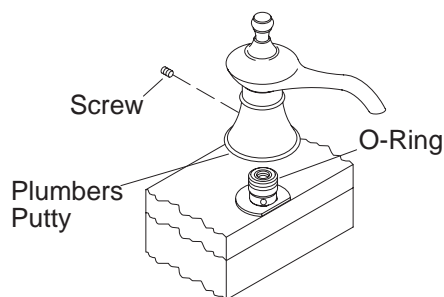


Fig. #18

6. INSTALL HANDLES

Remove the plaster guard from the valve, and discard it.

Remove the threaded sleeve from the valve, and discard it.

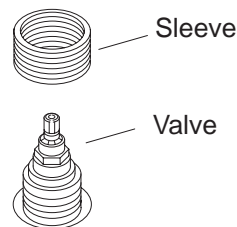


Fig. #19

Press the stem extension onto the valve stem.

NOTE: A spline adapter is provided in addition to the stem extension, and is the shorter of the two pieces. The spline adapter will not be used in deck- and bath-mount installations.

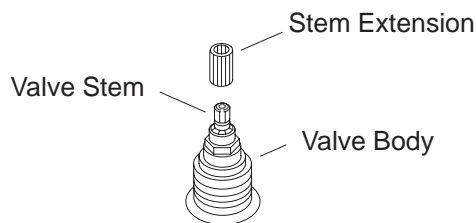


Fig. #20

Apply a ring of plumbers putty around the underside of the handle skirt. Thread the assembled handle and skirt to the valve body until it contacts the finished wall.

Be sure to properly align Traditional and Lever handle styles. Remove and rotate the spline adapter to provide proper handle alignment.

NOTE: The stem extension allows for fine adjustment of Traditional and Lever handle alignment. To refine the alignment, unthread the handle and skirt, and reposition the stem extension on the valve stem. Rethread the handle and skirt, and check the handle alignment. Repeat until the alignment is satisfactory.

Repeat for the other handle.

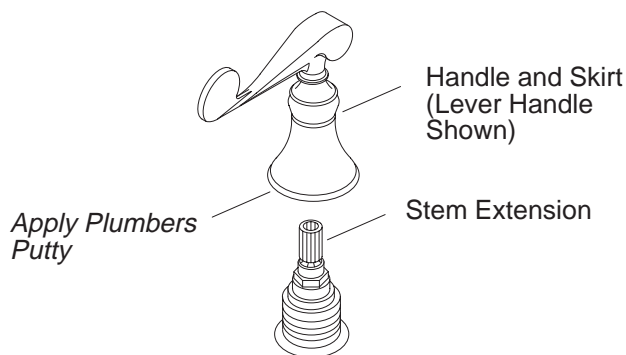


Fig. #21

7. CALL US FOR HELP

Questions? Problems? First review the installation instructions to ensure correct installation. For additional assistance, call our Customer Service Department for direct help. You may also contact us at our web site listed below.

In the U.S.A. call 1-800-4-KOHLER

In Mexico call 001-877-680-1310

In Canada call 1-800-964-5590

THE BOLD LOOK
OF **KOHLER**[®]
www.kohlerco.com