

### Features

- Brass construction.
- MasterClean™ spray nozzles prohibit mineral build-up.
- Complements Loure Suite.
- Push button diverter.
- Requires a Rite-Temp® valve.

### Required Accessories

K-11748 Series Rite-Temp® Valves

### Optional Accessories

1139260



### Codes/Standards




ASME A112.18.1/CSA B125.1  
ASSE 1016

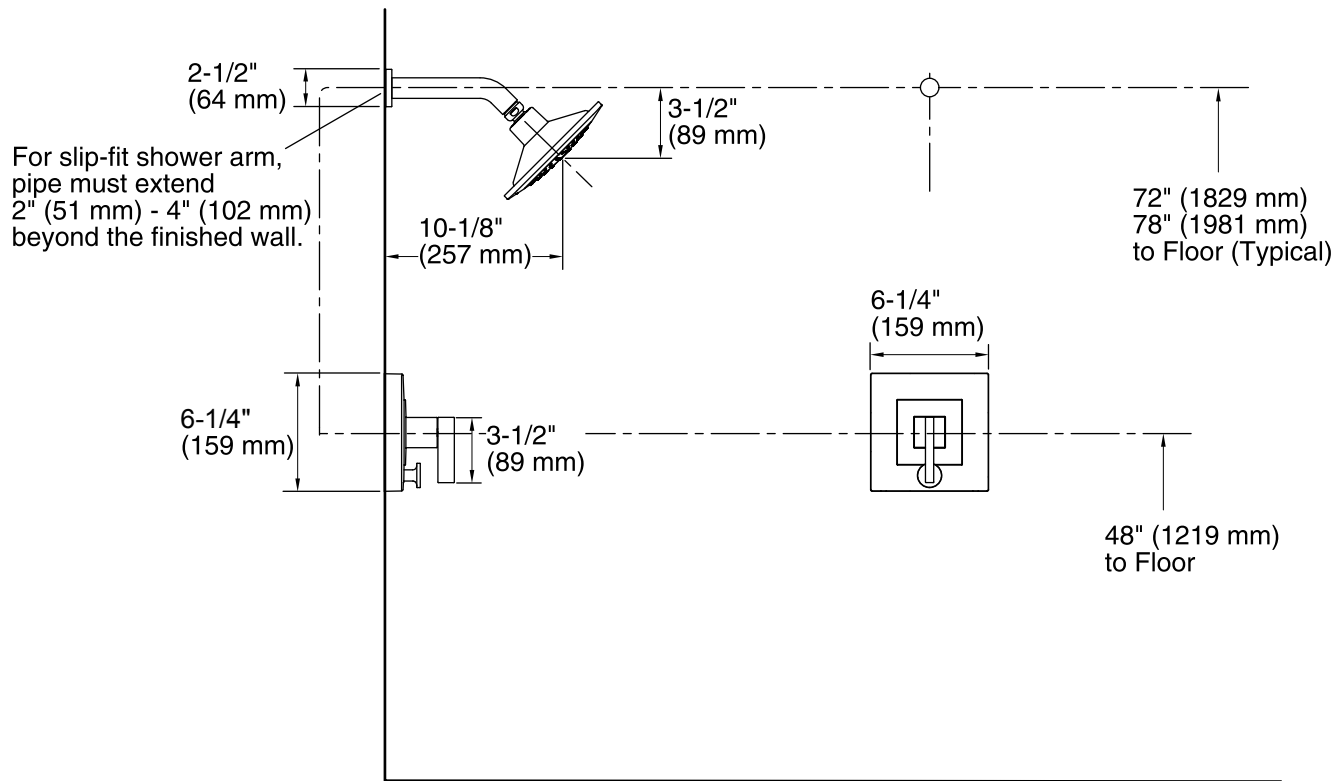
### KOHLER® Faucet Lifetime Limited Warranty

See website for detailed warranty information.

### Available Color/Finishes

*Color tiles intended for reference only.*

Color	Code	Description
	CP	Polished Chrome
	SN	Vibrant® Polished Nickel
	BN	Vibrant® Brushed Nickel



### Technical Information

All product dimensions are nominal.

### Notes

Install this product according to the installation guide.

Avoid cross-flow conditions. Do not install a shut-off device on either valve outlet.