

## Features

- ADA compliant lever handles.

## Material

- Premium material for durability and reliability.

## Installation

- Deck- or wall-mount.

## Required Accessories

K-302-K 1/2" Ceramic In-Wall Valve System



ADA CSA B651 OBC

## Codes/Standards

ASME A112.18.1/CSA B125.1

ADA

ICC/ANSI A117.1

CSA B651

OBC




## KOHLER® Faucet Lifetime Limited Warranty

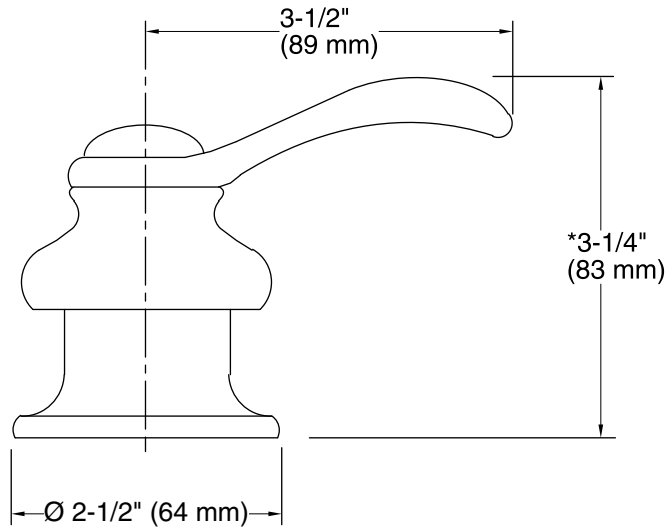
See website for detailed warranty information.

## Available Color/Finishes

*Color tiles intended for reference only.*

### Color Code Description

	CP	Polished Chrome
	BN	Vibrant® Brushed Nickel
	2BZ	Oil-Rubbed Bronze



\* Allows for +/- 1/4" (6 mm)  
handle adjustment.

**Technical Information**

All product dimensions are nominal.

**Notes**

Install this product according to the installation guide.

ADA, OBC, CSA B651 compliant when installed to the specific requirements of these regulations.