

Features

- Brass construction
- Available with sculpted lever handle
- Front seal plate assembly
- Handle assembly
- Complements Forté™ Suite

**TRANSFER VALVE TRIM
K-T10290**

ADA

Codes/Standards Applicable

Specified model meets or exceeds the following:

- ASME A112.18.1
- CSA B125
- IAPMO/UPC
- ADA



Colors/Finishes

- CP: Polished Chrome
- Other: Refer to Price Book for additional colors/finishes
- NA: None applicable

Specified Model

For complete faucet, both faucet trim and valving must be specified.			
Model	Description	Colors/Finishes	
K-T10290-4	Transfer valve trim	<input type="checkbox"/> CP	<input type="checkbox"/> Other ____
Required Accessory			
K-672-K	3/4" Transfer valve	<input type="checkbox"/> NA	

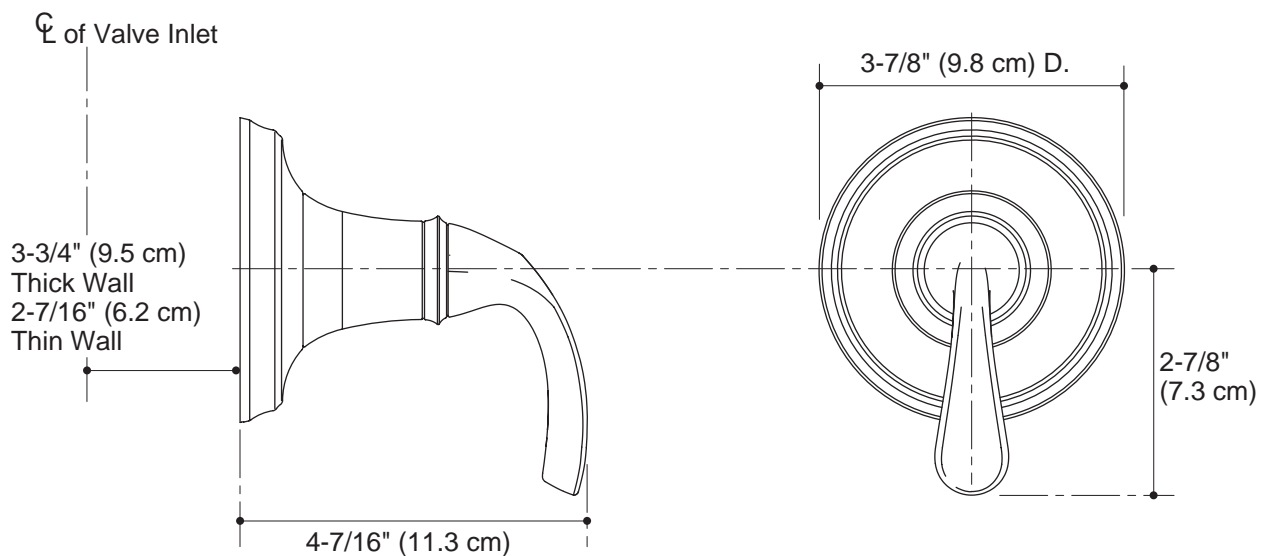
Product Specification

Thermostatic faucet trim shall be of brass construction. Trim shall include front seal plate and handle assembly. Trim shall be available with sculpted lever handle. Trim shall complement the Forté Suite. Transfer valve trim shall be Kohler Model K-T10290-4-____ and transfer valve shall be K-672-K-NA.

FORTÉ™

Installation Notes

Install this product according to the installation guide.



K-T10290

Product Diagram