

Features

- Brass construction.
- Brass valve bodies.
- Valvet® valves.
- Pop-up drain with lift rod and tailpiece.
- For 5-1/2" (140 mm) centers.
- Lever handles.
- 1-1/4" (32 mm) spout.
- Lower flow aerator options are available. (Please refer to the Kohler Price Book).
- 2.0 gal/min (7.6 l/min) maximum flow rate [max at 60 psi (4.14 bar)].

Optional Accessories

1160594 Large Spray Aerator 0.35 gpm (1.3 l/min)



Codes/Standards

ASME A112.18.1/CSA B125.1

NSF 61

NSF 372

All applicable US Federal and State material regulations

DOE - Energy Policy Act 1992

KOHLER® One-Year Limited Warranty

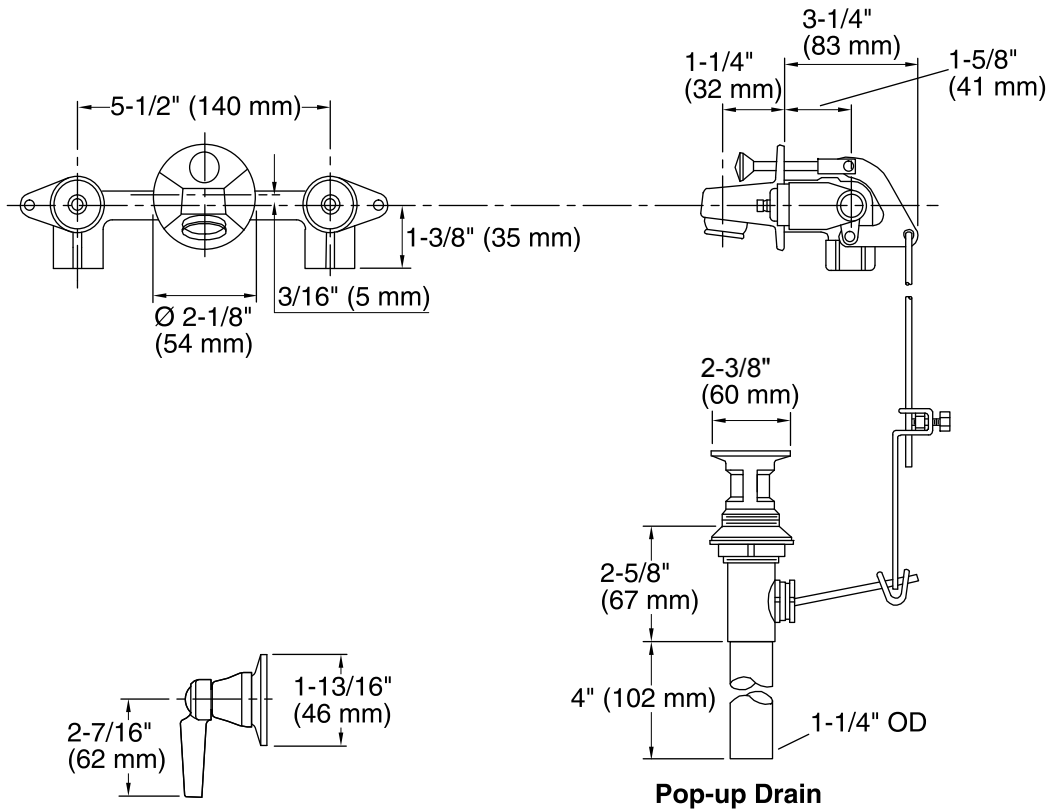
See website for detailed warranty information.

Available Color/Finishes

Color tiles intended for reference only.

Color	Code	Description
-------	------	-------------

	CP	Polished Chrome
--	----	-----------------



Technical Information

All product dimensions are nominal.

Drain included: YES

Drain tailpiece included: YES

included:

Spout:

Spout reach: 1-1/4" (32 mm)

Handle clearance: 2-7/16" (62 mm)

Faucet:

Flow rate: 2 gal/min (7.6 l/min)

Pressure: 60 psi (4.1 bar)

Notes

Install this product according to the installation guide.