

INSTALLATION

G U I D E

FLAIR™ /TRITON™  
LAVATORY  
FAUCET

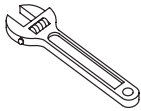
K-6241, K-7437, K-7443  
K-6241M, K-7437M, K-7443M

THE BOLD LOOK  
OF **KOHLER**®

## RECOMMENDED TOOLS AND MATERIALS



Plumbers Putty



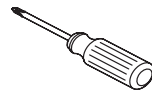
Adjustable Wrench



Tape Measure



Pencil

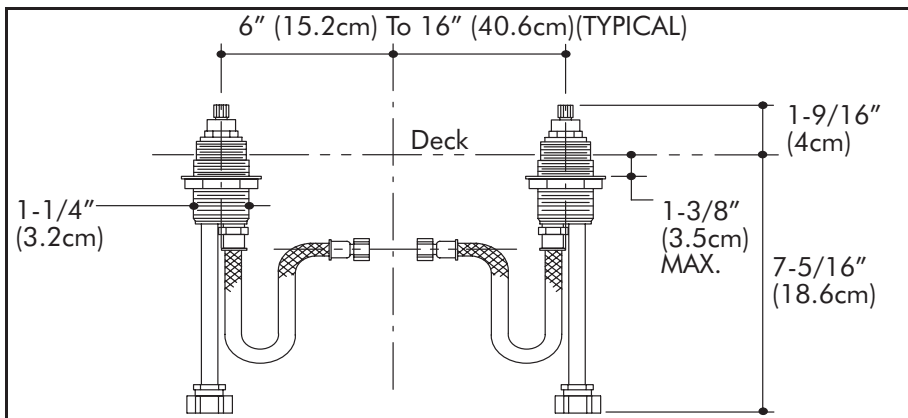


Phillips Screwdriver

## BEFORE YOU BEGIN

- These instructions contain important service information for the consumer. Please leave instructions for the consumer.
- Shut off the main water supply.
- Inspect the supply tubing for damage. Replace as necessary.
- Observe all local plumbing codes.
- Kohler Co. reserves the right to make revisions in the design of faucets without notice, as specified in the Price Book.

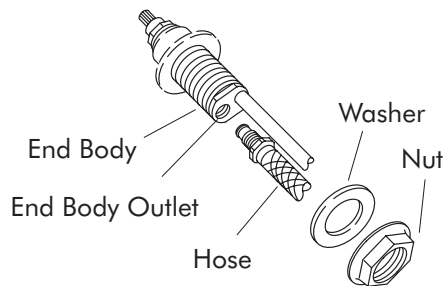
## 1. VALVE ROUGHING-IN



## 2. END BODY VALVE INSTALLATION

**NOTE:** Handles will be assembled to end bodies in most kits. If washers and nuts are assembled to end bodies, remove before installing.

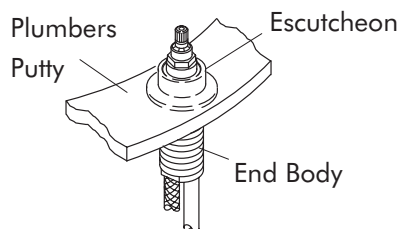
Thread hoses (O-ring end) to end body outlets. Do not overtighten.



**CAUTION: Risk of property damage.** Do not use plumbers putty on marble or plastic, as it may stain the surface.

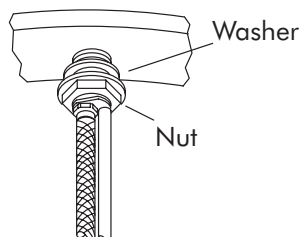
Apply a ring of plumbers putty or other sealant under escutcheons according to the putty manufacturer's instructions.

Insert end bodies into mounting holes from top. Ensure end body marked "cold" (by a sticker on the tube) is installed in right hand hole.

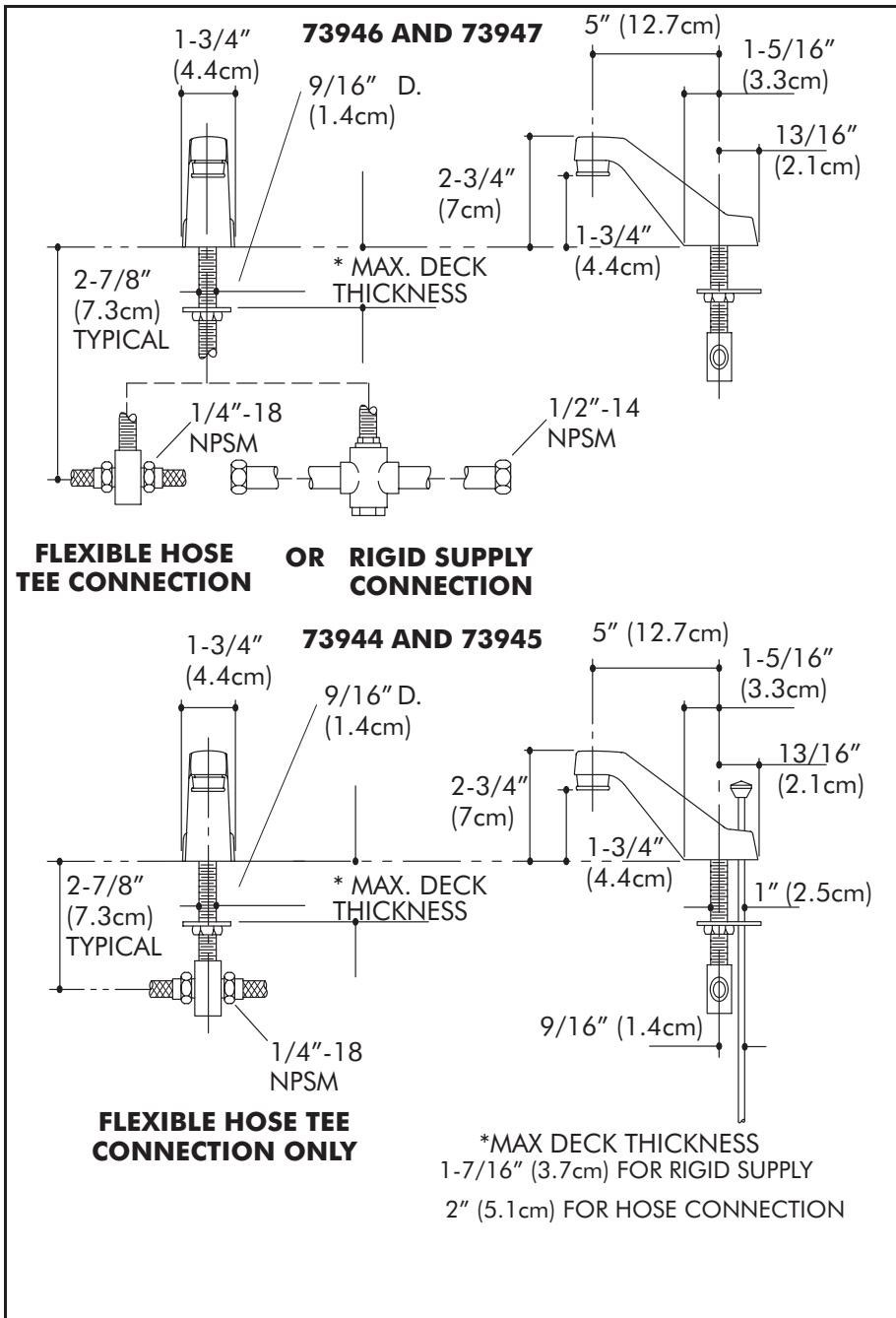


Place washers on bottom of end bodies. Thread nuts on bottom of end bodies.

Align end bodies so that copper tubing faces the outside. When installing end bodies with lever handles, ensure that handles are properly aligned when valves are in closed position. Tighten nuts.



### 3. SPOUT ROUGHING-IN



## 4. INSTALL THE SPOUT

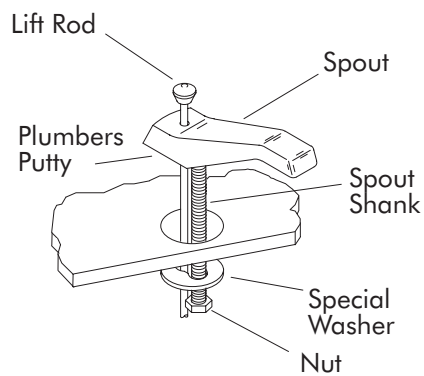
### INSTALL THE SPOUT

Remove all parts from the spout shank.

Apply a bead of plumbers putty or other sealant around underside of spout according to the putty manufacturer's instructions.

Insert spout shank through top of fixture.

Slide special washer onto spout shank from underneath fixture with lift rod hole facing toward the rear. Secure with nut.



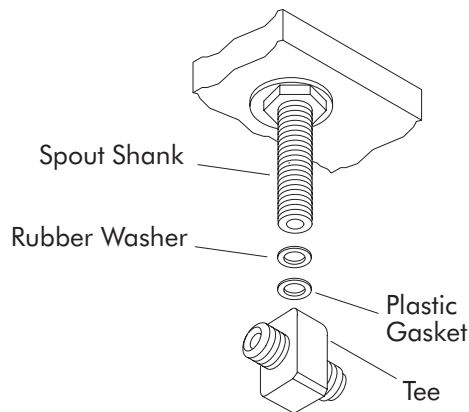
### INSTALL THE TEE (FLEXIBLE HOSE CONNECTION)

**NOTE:** Lubricate O-rings with a non-petroleum based lubricant to aid in assembly.

Place plastic gasket and rubber washer into threaded opening at top of tee.

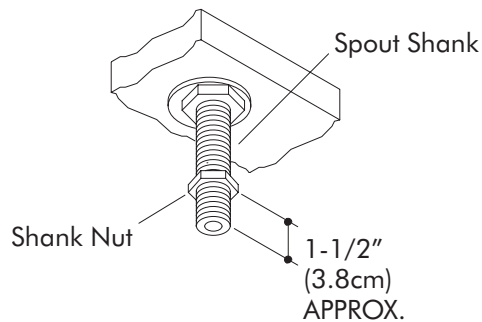
Thread tee onto spout shank until tight. Ensure tee is aligned with valves.

Connect flexible hoses to tee and valves using instructions packed with valve kit.



### TO INSTALL RIGID SUPPLY

Thread shank nut onto spout shank until approximately 1-1/2" (3.8cm) of thread is exposed below nut.



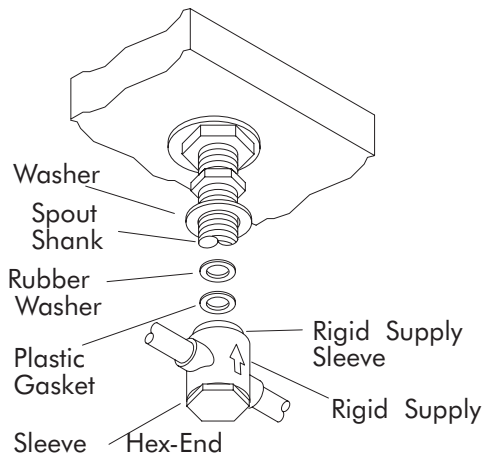
**NOTE:** Lubricate O-rings and sleeve with a non-petroleum based lubricant to aid in assembly.

Place plastic gasket, and rubber washer into threaded opening at top of rigid supply sleeve.

Slide washer onto spout shank.

With UP arrow (▲) on rigid supply pointing upward, thread sleeve in rigid supply onto spout shank.

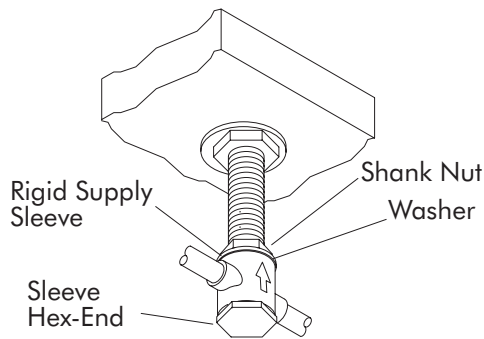
Tighten sleeve hex-end.



Slide washer down shank to sleeve. Thread shank nut down and tighten against washer.

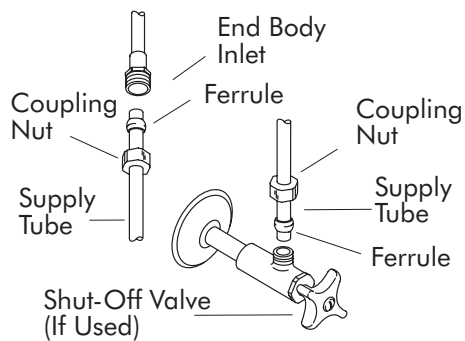
Connect rigid supply tube ends to valves using instructions packed with valve kit.

**NOTE:** If spout is equipped with a lift rod, connect lift rod using instructions packed with drain kit.



**TO INSTALL RIGID AND FLEXIBLE SUPPLY**

Slide coupling nuts and ferrules onto supply tube. Carefully insert supply tubes into end body inlets and shut-off valve outlets (if used): secure with coupling nuts.



## 5. INSTALL HANDLE KIT

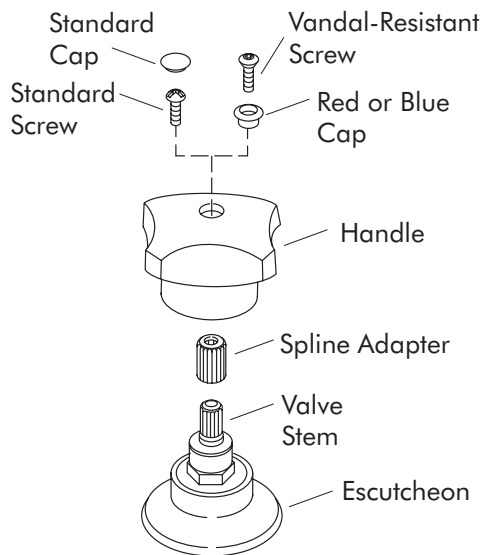
**NOTE:** Handle may not be the one pictured.

Turn the valve to the closed position.

Place spline adapter about halfway on valve stem.

Partially install the handle onto the spline adapter, and check handle alignment. For further alignment, remove handle and reposition spline adapter until handle alignment is correct.

Secure handle to valve stem with standard screw and cap or vandal-resistant screw with red or blue cap.



## **CALL US FOR HELP**

Questions? Problems? First review the installation instructions to ensure correct installation. For additional assistance, call our Customer Service Department for direct help. You may also contact us at our web site listed below.

**In the U.S.A., call 1-800-4-KOHLER**  
**In Mexico, call 001-877-680-1310**  
**In Canada, call 1-800-964-5590**

THE BOLD LOOK  
OF **KOHLER**<sup>®</sup>  
[www.kohlerco.com](http://www.kohlerco.com)