

BEFORE YOU BEGIN

HOW TO USE THESE INSTRUCTIONS

These instructions contain important installation information. Please leave instructions for the consumer.

NOTE: This spout kit provides the instructions for either flexible hose or rigid supply connection. Perform the procedures applicable to your installation.

ROUGHING-IN DIMENSIONS

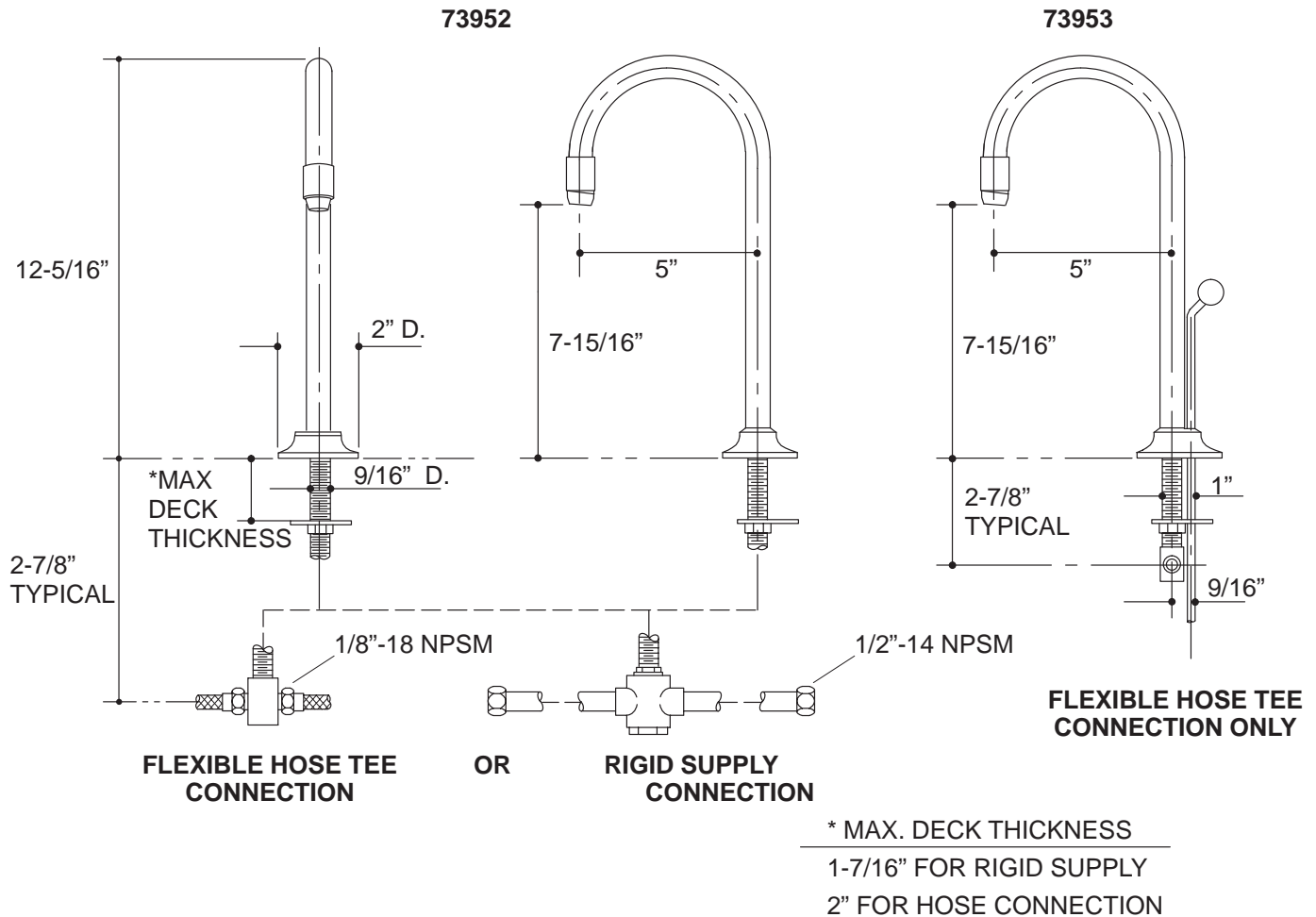


Fig. #1

INSTALLATION

INSTALL SPOUT

Thread escutcheon onto spout. Place gasket onto spout and insert spout shank through top of fixture. For spout with lift rod, ensure lift rod faces back of fixture.

Slide special washer onto shank from underneath fixture with lift rod hole facing toward the rear. Secure with nut.

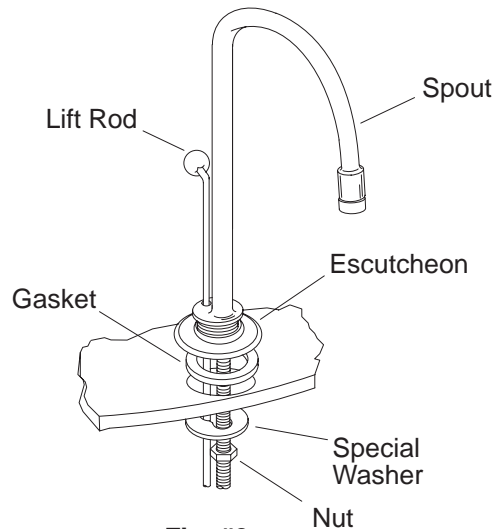


Fig. #2

INSTALL TEE (FOR FLEXIBLE HOSE CONNECTION)

NOTE: Lubricate O-rings and sleeve with a non-petroleum based lubricant to aid in assembly.

Place plastic gasket and rubber washer into threaded opening at top of tee.

Thread tee onto spout shank until tight. Ensure tee is properly aligned with valves.

Connect flexible hoses to tee and valves using instructions packed with valve kit.

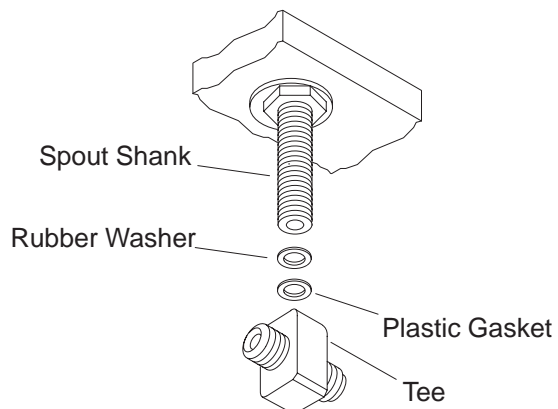


Fig. #3

INSTALL RIGID SUPPLY

Thread shank nut onto spout shank until approximately 1-1/2" of thread is exposed below nut.

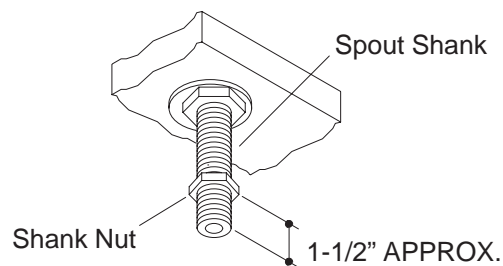


Fig. #4

NOTE: Lubricate O-rings and sleeve with a non-petroleum based lubricant to aid in assembly.

Place plastic gasket and rubber washer into threaded opening at top of rigid supply sleeve.

Slide washer onto spout shank.

With UP arrow (↑) on rigid supply pointing upward, thread sleeve in rigid supply onto spout shank.

Tighten sleeve hex-end.

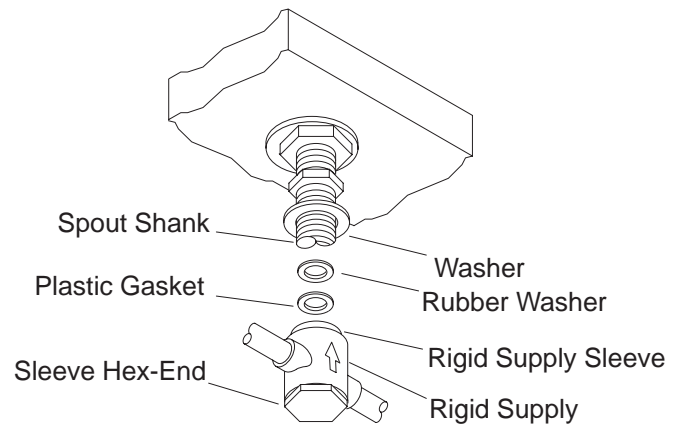


Fig. #5

Slide washer down shank to sleeve. Thread shank nut down and tighten against washer.

Connect rigid supply tube ends to valves using instructions packed with valve kit.

NOTE: If spout is equipped with a lift rod, connect lift rod using instructions packed with drain kit.

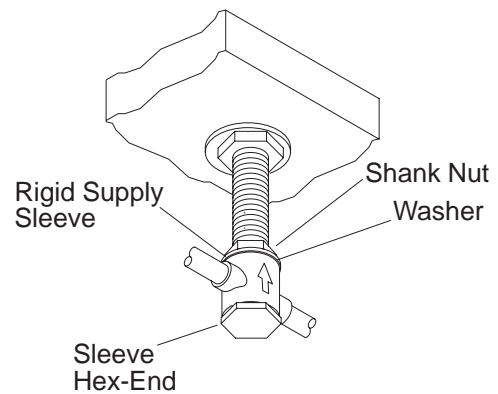
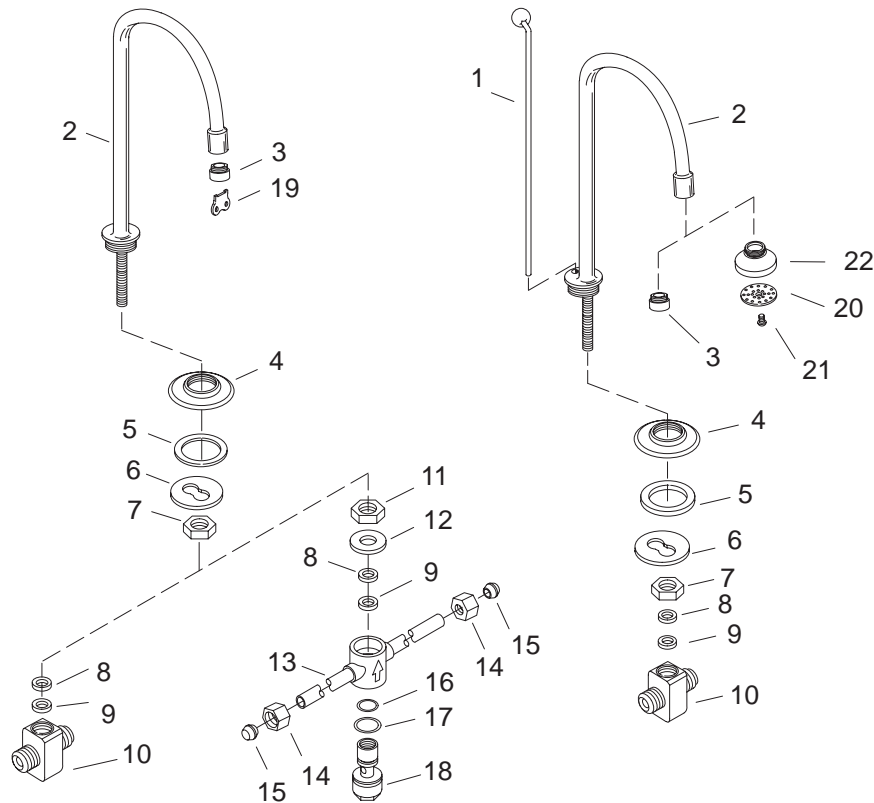


Fig. #6

SERVICE PARTS



SERVICE PARTS

ITEM	PART NO.	DESCRIPTION
1	40156**	Lift Rod
2		Available In Service Kit Only
3	59620**	Aerator
	59722**	Aerator (VR)
4	34304**	Escutcheon
5	35715	Washer
6	40015	Washer
7	40014	Nut
8	40097	Washer
9	40013	Gasket
10	40098	Tee
11	40014	Nut
12	73678	Washer
13	73754	Supply, 12"
	74718	Supply, 8"
14	35213	Sleeve
15	35886	Nut
16	38820	O-Ring
17	34353	O-Ring
18	73230	Sleeve
19	21999	Wrench
20	35230	Face
21	50143	Screw
22		Available In Service Kit Only

SERVICE KITS

PART NO	ITEM	QTY	DESCRIPTION
59763**			Spray
	22	1 ea.	Rosespray
	20	1 ea.	Face
	21	1 ea.	Screw
73890**			Spout
	2	1 ea.	Spout
	3	1 ea.	Aerator
	4	1 ea.	Escutcheon
	5	1 ea.	Washer
	6	1 ea.	Washer
	7	1 ea.	Nut
73893**			Spout (VR)
	2	1 ea.	Spout
	3	1 ea.	Aerator
	4	1 ea.	Escutcheon
	5	1 ea.	Washer
	6	1 ea.	Washer
	7	1 ea.	Nut
77187**			Spout
	2	1 ea.	Spout
	4	1 ea.	Escutcheon
	5	1 ea.	Washer
	6	1 ea.	Washer
	7	1 ea.	Nut
	20	1 ea.	Spray face
	21	1 ea.	Screw
	22	1 ea.	Rosespray

**Finish/color code must be specified when ordering.