

Features

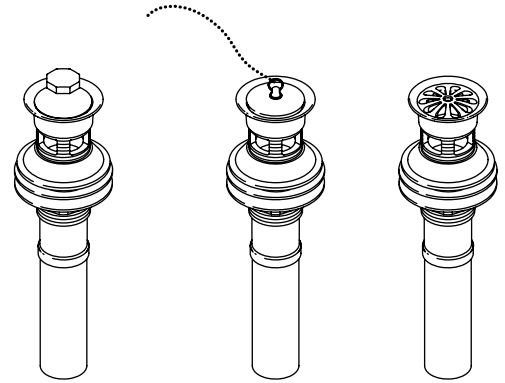
- Brass construction
- 1-1/4" connection
- Available with non-removable metal stopper, rubber stopper, or grid
- Available with or without overflow (dependant on model)

Codes/Standards Applicable

Specified model meets or exceeds the following:

- ASME A112.18.2
- ASME A112.18.1/CSA B125.1
- IAPMO/UPC

DRAINS
K-7127
ALSO K-7128, K-7129



K-7127-A

K-7128-A

K-7129-A

Colors/Finishes

- CP: Polished Chrome
- Other: Refer to Price Book for additional colors/finishes

Specified Model:

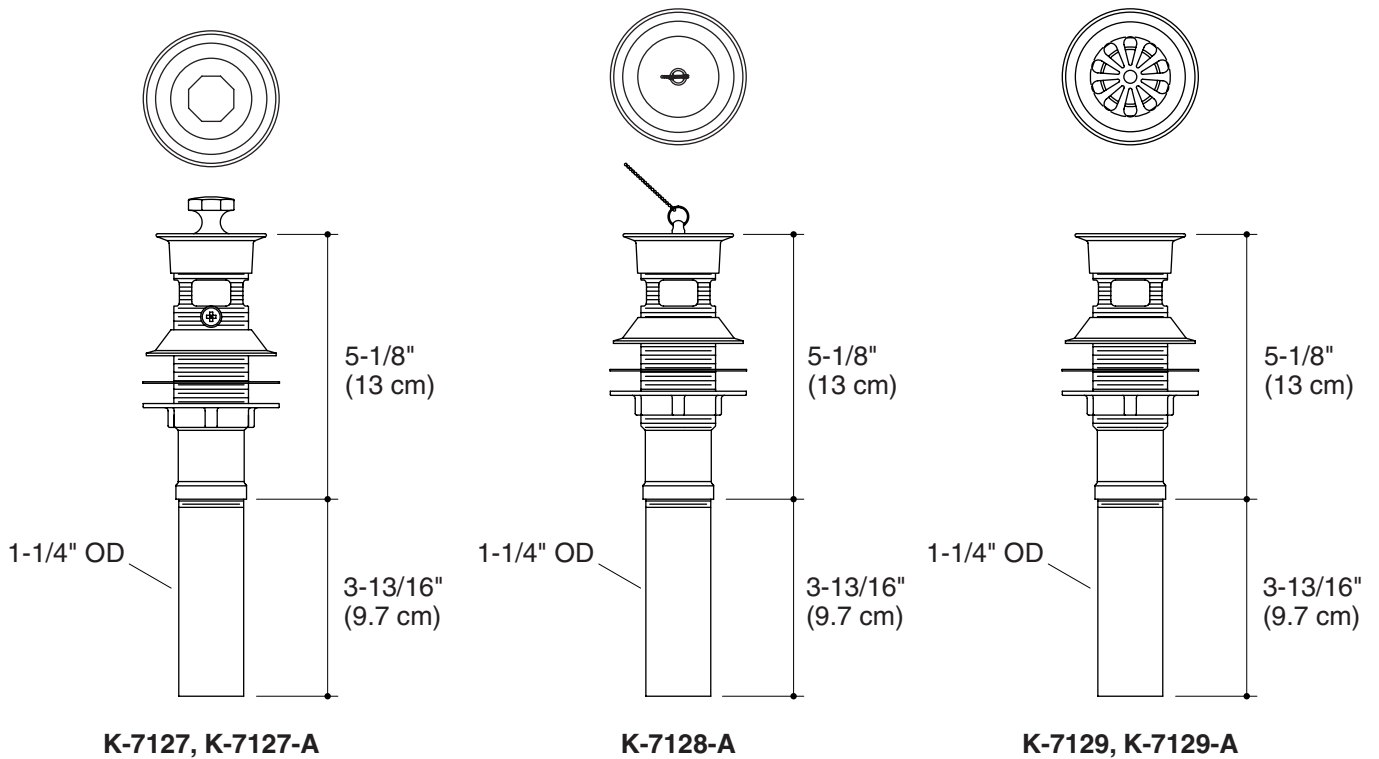
Model	Description	Colors/Finishes	
K-7127	Lavatory drain with non-removable metal stopper and without overflow	<input type="checkbox"/> CP	<input type="checkbox"/> Other _____
K-7127-A	Lavatory drain with overflow and non-removable metal stopper	<input type="checkbox"/> CP	<input type="checkbox"/> Other _____
K-7128-A	Lavatory drain with overflow and rubber stopper with chain	<input type="checkbox"/> CP	
K-7129	Lavatory grid drain without overflow	<input type="checkbox"/> CP	<input type="checkbox"/> Other _____
K-7129-A	Lavatory grid drain with overflow	<input type="checkbox"/> CP	<input type="checkbox"/> Other _____

PRODUCT SPECIFICATION

Lavatory drain shall be of brass construction. Drain shall feature a brass tailpiece and 1-1/4" OD connection. Drain with overflow is available with a non-removable metal stopper, rubber stopper or grid. Drain without overflow is available with a non-removable metal stopper or grid. Drain shall be Kohler Model K-____-____-____.

Installation Notes

Install this product according to the installation guide.



Product Diagram