

### Features

- CleanCoat® technology creates a barrier between the water and glass to help keep your shower door looking new.
- Frameless design highlights showering area.
- Frameless, 1/4" (6 mm) thick Falling Lines tempered glass.
- Continuous guide mechanism for smooth, quiet sliding action and easy cleaning.
- Gently curved towel bars inside and out complete the look of this door.

### Material

- Anodized aluminum prevents rusting or corrosion.
- Tempered glass ensures maximum safety and durability.

### Installation

- Out-of-plumb adjustability allows for simpler installation.
- Can be installed to open to the left or right.

### Components

Additional included component/s: Hardware kit.



### Codes/Standards

CPSC 16CFR 1201  
ANSI Z97.1 (Tempered Glass)

### KOHLER® One-Year Limited Warranty

See website for detailed warranty information.

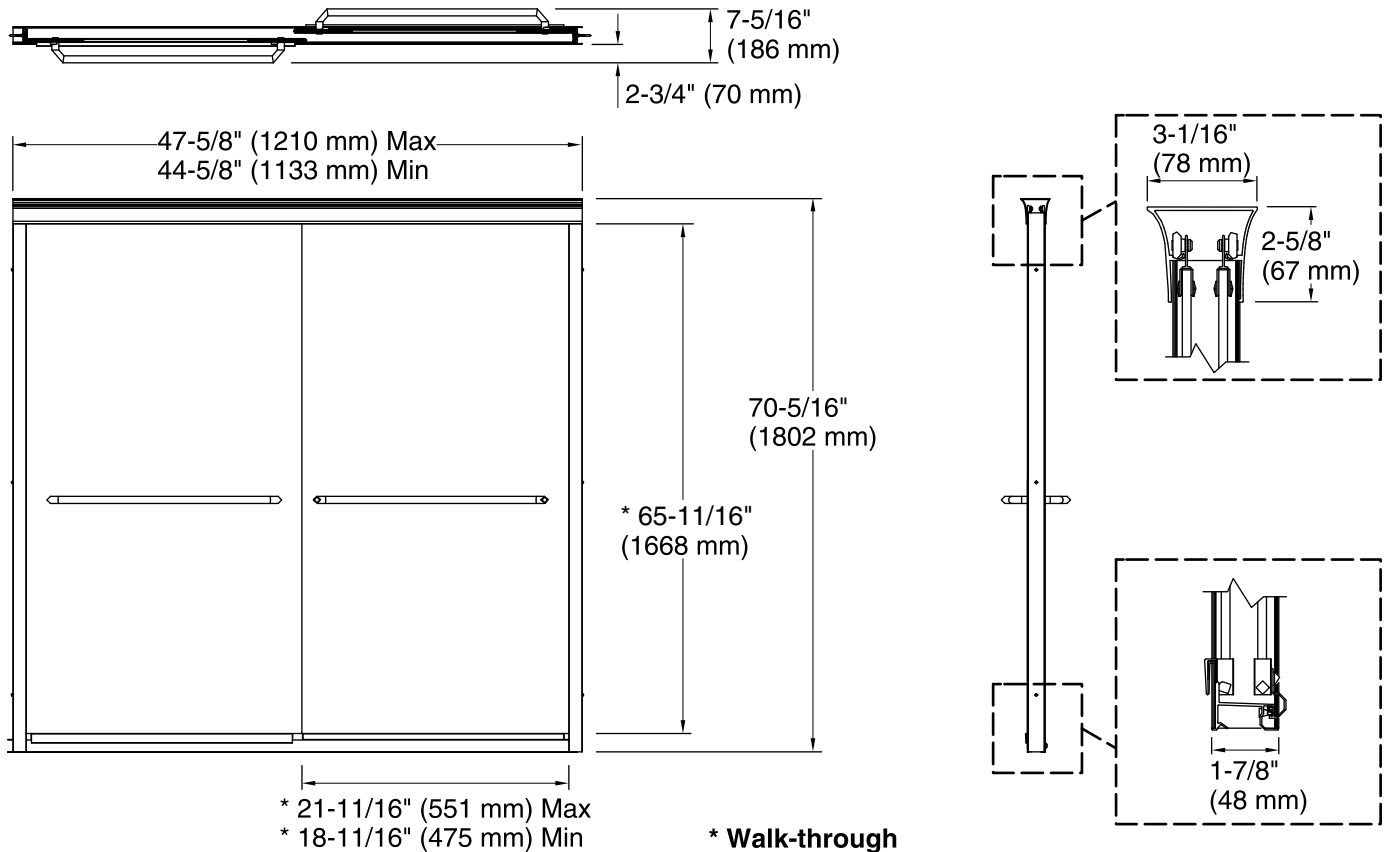
### Available Color/Finishes

*Color tiles intended for reference only.*

Color	Code	Description
	SHP	Bright Polished Silver
	MX	Matte Nickel
	ABV	Anodized Brushed Bronze

### Available Glass Options

Code	Description
G54	Falling Lines



### Technical Information

All product dimensions are nominal.

Installation type:	For shower base installation
Opening style:	Sliding/Bypass
Opening Width - Min:	44-5/8" (1133 mm)
Opening Width - Max:	47-5/8" (1210 mm)
Walk-through - Min:	18-11/16" (475 mm)
Walk-through - Max:	21-11/16" (551 mm)
Glass thickness:	1/4" (6 mm)
Glass coating:	CleanCoat®

### Notes

Install this product according to the installation guide.

The vertical opening should be a minimum of 72-1/16" (1830 mm) to allow for installation clearance.