

Features

- Continuous door panel guide mechanism for smooth, quiet sliding action
- Out-of-plumb adjustability allows for easy installation
- Stainless steel hardware prevents rusting or corrosion
- Gently curved inside and outside towel bar
- Smooth, easy-to-clean wall jambs
- 1/4" (6 mm) thick tempered glass

Codes/Standards Applicable

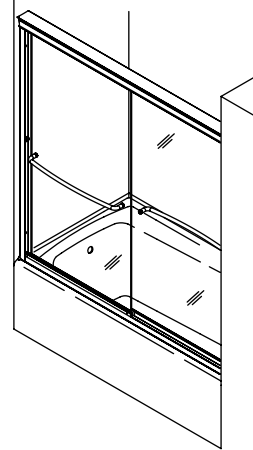
Specified model meets or exceeds the following:

- ANSI Z97.1 (tempered glass)

BYPASS BATH/SHOWER DOORS

K-702200

ALSO K-702202, K-702204,
K-702206, K-702208



Glass Options

- L: Clear
- G54: Falling Lines

Frame Finishes/Colors:

- BH: Bright Brass
- MX: Matte Nickel
- ABX: Brazen Bronze
- SHP: Polished Silver

Specified Model

Model	Application	Glass Options		Frame Finishes/Colors			
K-702200	Bath	<input type="checkbox"/> L	<input type="checkbox"/> G54	<input type="checkbox"/> SHP	<input type="checkbox"/> BH	<input type="checkbox"/> MX	<input type="checkbox"/> ABX
K-702202	Bath	<input type="checkbox"/> L	<input type="checkbox"/> G54	<input type="checkbox"/> SHP	<input type="checkbox"/> BH	<input type="checkbox"/> MX	<input type="checkbox"/> ABX
K-702204	Bath	<input type="checkbox"/> L	<input type="checkbox"/> G54	<input type="checkbox"/> SHP	<input type="checkbox"/> BH	<input type="checkbox"/> MX	<input type="checkbox"/> ABX
K-702206	Shower	<input type="checkbox"/> L	<input type="checkbox"/> G54	<input type="checkbox"/> SHP	<input type="checkbox"/> BH	<input type="checkbox"/> MX	<input type="checkbox"/> ABX
K-702208	Shower	<input type="checkbox"/> L	<input type="checkbox"/> G54	<input type="checkbox"/> SHP	<input type="checkbox"/> BH	<input type="checkbox"/> MX	<input type="checkbox"/> ABX

Product Specification

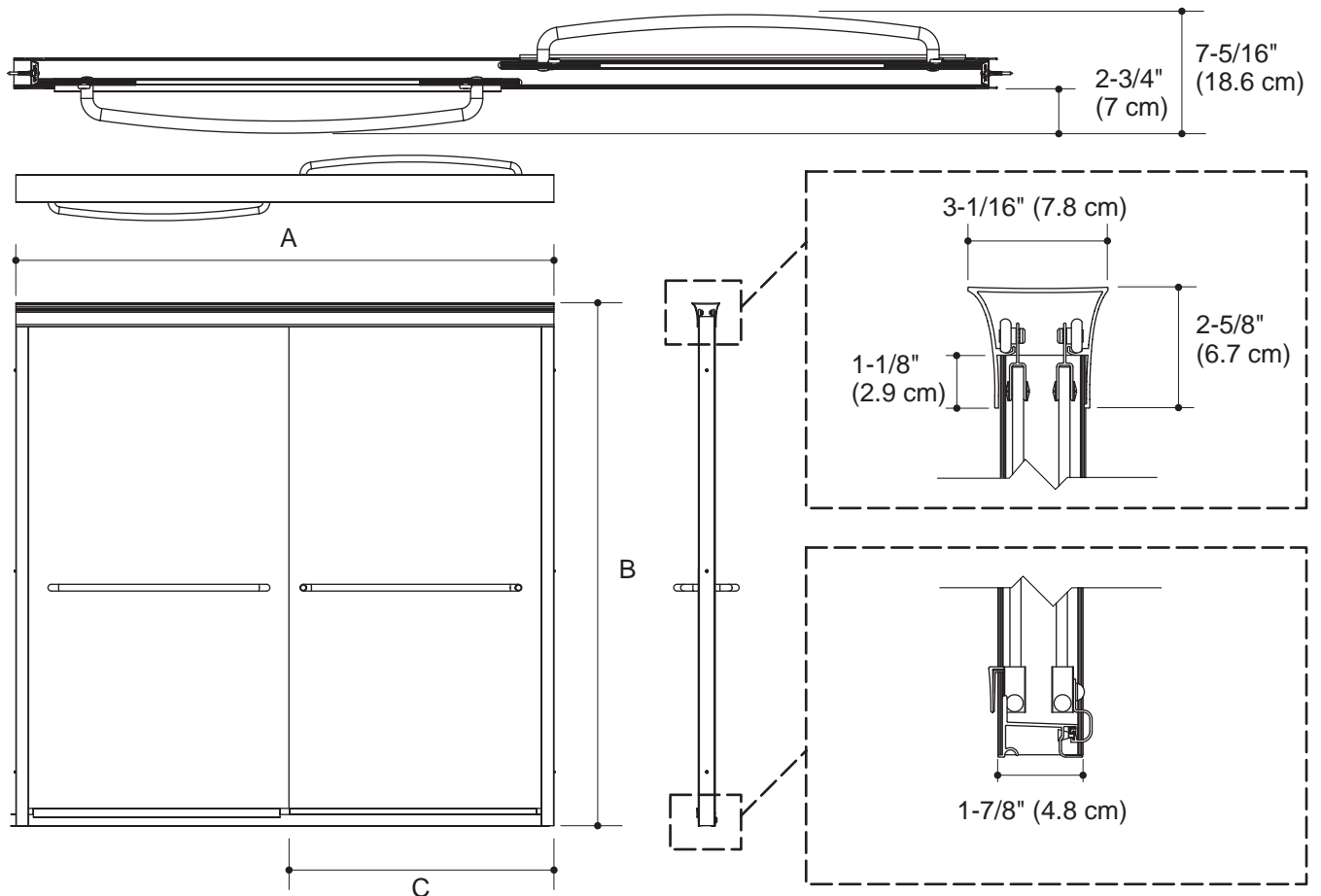
Bypass bath or shower door shall have 1/4" (6 mm) thick tempered safety glass. Door shall have out-of-plumb adjustability for easy installation, stainless steel hardware to prevent rusting or corrosion, and gently curved inside and outside towel bar. Door shall have smooth, easy-to-clean wall jambs. Door shall have a continuous door panel guide mechanism for smooth, quiet sliding action. Door shall be Kohler Model K-_____-_____-_____.

FLUENCE™

Installation Notes

Install this product according to the installation guide.

Roughing-In Notes			
Model	A (Max)	B	C (Walk Through)
K-702200	59-5/8" (151.4 cm)	58-5/16" (148.1 cm)	27-7/8" (70.8 cm)
K-702202	57" (144.8 cm)	55-3/4" (141.6 cm)	26-5/8" (67.6 cm)
K-702204	59-5/8" (151.4 cm)	55-3/4" (141.6 cm)	27-7/8" (70.8 cm)
K-702206	59-5/8" (151.4 cm)	70-5/16" (180.2 cm)	27-7/8" (70.8 cm)
K-702208	47-5/8" (121 cm)	70-5/16" (180.2 cm)	21-7/8" (55.6 cm)



Product Diagram