

**STANCE™ RITE-TEMP®**

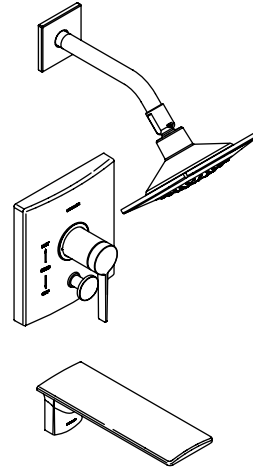
**Features**

- Brass construction
- MasterClean™ spray nozzles prohibit mineral build-up
- ADA compliant lever handle
- Complements Stance™ Suite
- Push button diverter on bath and shower trim models [K-T14776, K-T14777]
- Requires a Rite-Temp valve

**BATH AND SHOWER VALVE TRIM  
K-T14776**

**ALSO K-T14777, K-T14778, K-14795**

**ADA**



**Codes/Standards Applicable**

Specified model meets or exceeds the following:

- ADA
- ASME A112.18.1/CSA B125.1
- ICC/ANSI A117.1

**Colors/Finishes**

- CP: Polished Chrome
- Other: Refer to Price Book for additional colors/finishes

**Accessories**

- NA: None applicable

**Specified Model**

Model	Description	Colors/Finishes	
K-T14776-4	Bath and shower valve trim (shown)	<input type="checkbox"/> CP	<input type="checkbox"/> Other ____
K-T14777-4	Shower trim only – with diverter button	<input type="checkbox"/> CP	<input type="checkbox"/> Other ____
K-T14778-4	Shower trim only – without diverter button	<input type="checkbox"/> CP	<input type="checkbox"/> Other ____
K-T14779-4	Mixing valve trim– with diverter button	<input type="checkbox"/> CP	<input type="checkbox"/> Other ____
K-T14780-4	Mixing valve trim– without diverter button	<input type="checkbox"/> CP	<input type="checkbox"/> Other ____
K-14795	Bath spout	<input type="checkbox"/> CP	<input type="checkbox"/> Other ____

Required Accessories		
K-304-K/CX/PX/UX	Rite-Temp® pressure-balancing valve – less stops	<input type="checkbox"/> NA
K-304-KS/CS/KP/PS/US	Rite-Temp® pressure-balancing valve with stops	<input type="checkbox"/> NA
K-305-K*	Rite-Temp® pressure-balancing valve with push-button diverter – less stops	<input type="checkbox"/> NA

**Product Specification**

Bath and shower trim shall be made of brass construction. Faucet trim shall be available with an ADA compliant lever handle. Product shall have a push button diverter on bath and shower trim models [K-T14776, K-T14777]. Showerhead shall feature a MasterClean™ spray nozzle that prohibits mineral buildup. Product shall require a Rite-Temp valve. Product shall complement the Stance™ Suite. Bath and shower trim shall be Kohler Model K-T\_\_\_\_-\_\_\_\_-\_\_\_\_ or K-\_\_\_\_-\_\_\_\_ and Rite-Temp valving shall be K-\_\_\_\_-\_\_\_\_-NA.

# STANCE™ RITE-TEMP®

## Required Accessories continued

K-305-KS*	Rite-Temp® pressure-balancing valve with push-button diverter and stops	<input type="checkbox"/> NA
K-306-KS**	HiFlow Rite-Temp® valve with stops	<input type="checkbox"/> NA
K-11748-K	Rite-Temp® valve with push-button diverter – less stops	<input type="checkbox"/> NA
K-11748-KS	Rite-Temp® valve with push-button diverter and stops	<input type="checkbox"/> NA

\* Requires 1016453-C/F diverter button kit.

\*\* Requires 88526-C/F for thin wall installations.

## Optional Accessories

88526	Thin wall installation kit for K-306-KS HiFlow Rite-Temp valve	<input type="checkbox"/> CP	<input type="checkbox"/> Other ____
1016453	Diverter button kit for K-305-K or K-305-KS Rite-Temp valve	<input type="checkbox"/> CP	<input type="checkbox"/> Other ____
1111613	Deep rough-in kit for Rite-Temp valve	<input type="checkbox"/> CP	<input type="checkbox"/> Other ____

## Installation Notes

Install this product according to the installation guide.

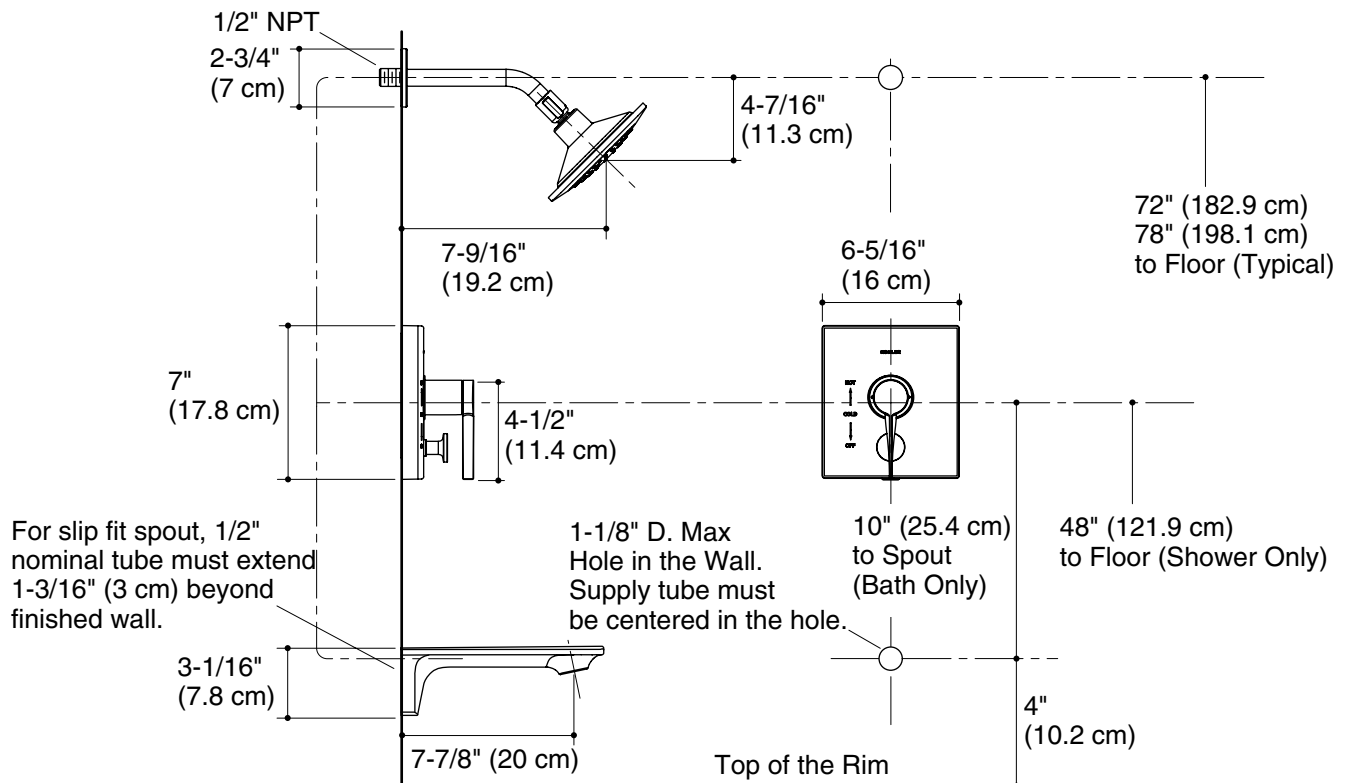
**NOTICE: For K-305 valve:** The diverter button kit (1016453-C/F) is required.

**NOTICE: For K-306-KS valve:** The thin wall installation kit (88526-C/F) is required for thin wall (fiberglass or acrylic) installations.

Avoid cross-flow conditions. Do not install a shut-off device on either valve outlet.

Cap the shower outlet if the deck-mounted spout, diverter, or handshower is connected to the spout outlet.

Install straight pipe or tube drop of 7" (17.8 cm) to 18" (45.7 cm) with single elbow between the valve and the wall-mount spout.



## Product Diagram

STANCE™ RITE-TEMP® BATH AND SHOWER VALVE TRIM

Page 2 of 2  
1117233-4-B

THE BOLD LOOK  
OF **KOHLER**®