

### Product Information

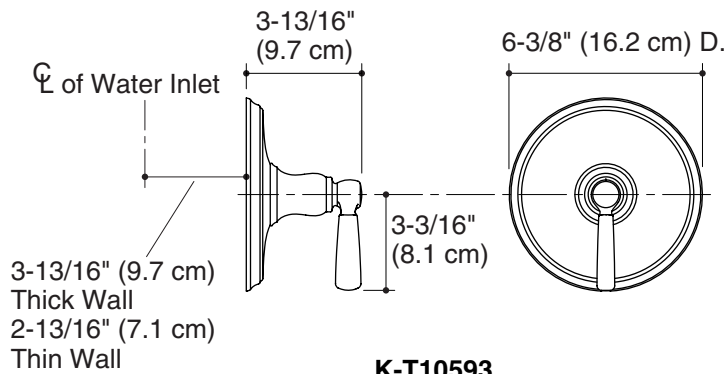
<b>Applicable faucet trim only*:</b>	
Thermostatic valve trim, metal lever handle	K-T10593-4
Thermostatic valve trim, ceramic lever handle	K-T10593-4P
Stacked thermostatic valve trim, metal lever handle	K-T10594-4
Stacked thermostatic valve trim, ceramic lever handle	K-T10594-4P
Transfer valve trim, metal lever handle	K-T10595-4
Transfer valve trim, ceramic lever handle	K-T10595-4P
Volume control trim, metal lever handle	K-T10596-4
Volume control trim, ceramic lever handle	K-T10596-4P
*Applicable valve must be ordered to complete the faucet.	
Lever handle(s) is/are ADA compliant. <span style="border: 1px solid black; padding: 2px;">ADA</span>	

<b>Applicable thermostatic valve only (not shown)**:</b>	
3/4" Thermostatic valve	K-669-KS
3/4" Stacked thermostatic valve	K-670-KS

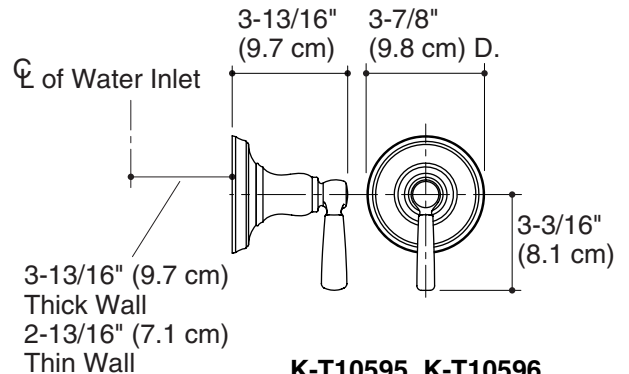
3/4" Volume control	K-671-K
1/2" Thermostatic valve	K-679-KS
1/2" Stacked thermostatic valve	K-680-KS
1/2" Volume control	K-681-K
3/4" Transfer valve	K-728-K
**Required for the illustration configured below.	

### Installation Notes

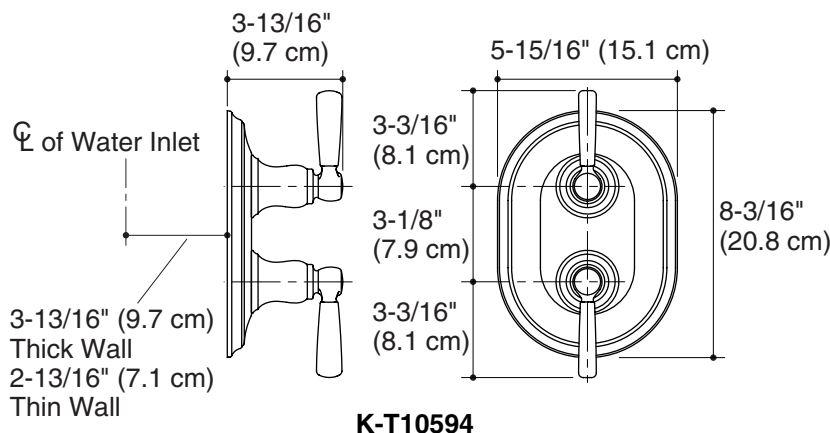
Install this product according to the installation guide.



**K-T10593**



**K-T10595, K-T10596**



**K-T10594**