

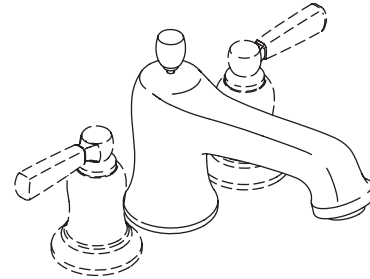
Features

- Brass construction
- Bath- or deck-mount
- Lever handles
- Complements Bancroft™ Suite
- 7" (17.8 cm) spout with slip-fit connection and diverter knob

Codes/Standards Applicable

Specified model meets or exceeds the following:



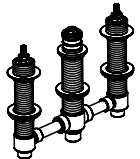
- ASME A112.18.1
- IAPMO/UPC
- CSA B125
- ADA



Colors/Finishes

- CP: Polished Chrome
- Other: Refer to Price Book for additional colors/finishes

Specified Model

Model	Description	 ADA	 ADA
K-T10592-4	Faucet with metal lever handles	<input type="checkbox"/> CP <input type="checkbox"/> Other_____	
K-T10592-4P	Faucet with ceramic lever handles		<input type="checkbox"/> CP <input type="checkbox"/> Other_____
Required Accessory			
K-438-K	1/2" High-flow ceramic disc valve system with integral diverter	<input type="checkbox"/> NA	
Optional Accessories		Colors/Finishes	
K-10597	Handshower	<input type="checkbox"/> CP	<input type="checkbox"/> Other_____
K-10573	Deck handshower holder	<input type="checkbox"/> CP	<input type="checkbox"/> Other_____

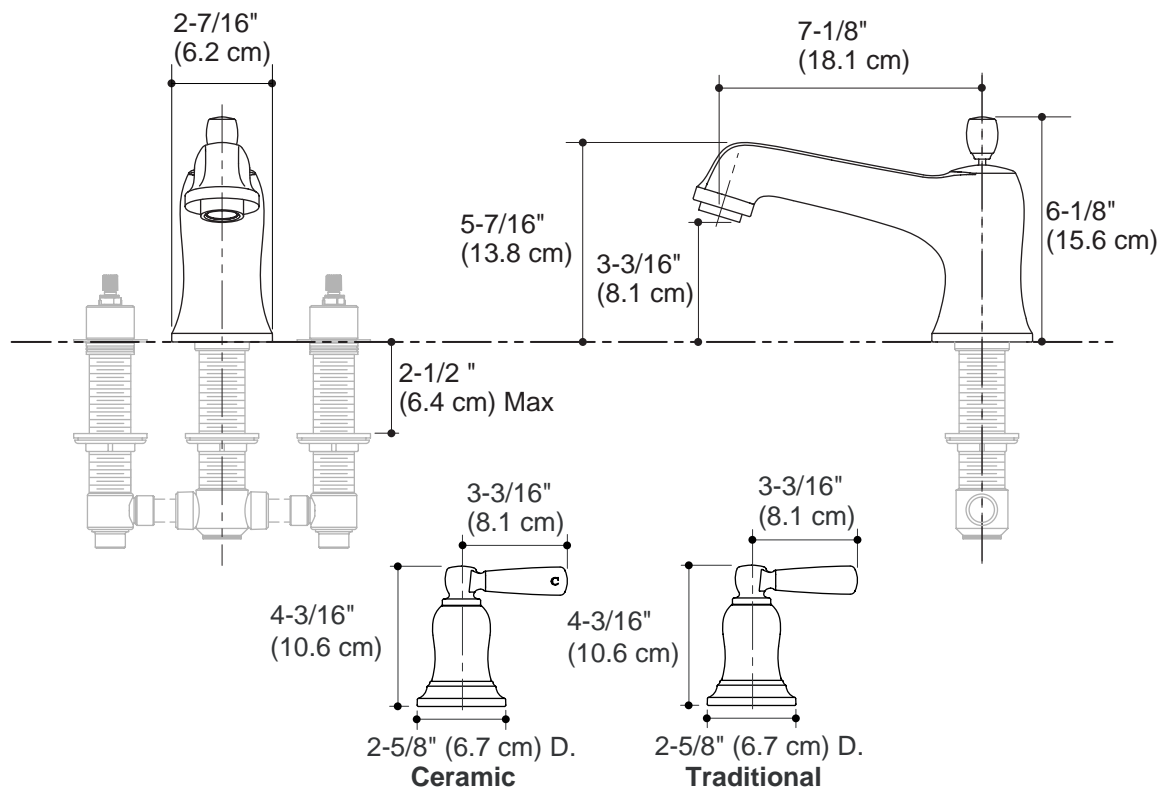
Product Specification

Two-handle bath- or deck-mount bath faucet trim shall be of brass construction. Product shall install to bath or finished deck. Product shall include a 7" (17.8 cm) spout with slip-fit connection and diverter knob. Product shall include lever handles. Product complements Bancroft Suite. Faucet trim shall be Kohler Model K-T10592-_____ - _____ and valve system shall be Kohler Model K-438-K-NA.

BANCROFT™

Installation Notes

Install this product according to the installation guide.



Product Diagram