

### Features

- Mounts vertically.
- Premium metal construction for durability.
- KOHLER finishes resist corrosion and tarnish.
- For use with K-9451 and K-3324 Kathryn one- and two-piece toilets.
- Coordinates with other products in the Kathryn Collection.

### Recommended Accessories

K-9451 Trip Lever



ADA

### Codes/Standards

ASME A112.18.1/CSA B125.1  
ADA  
ICC/ANSI A117.1

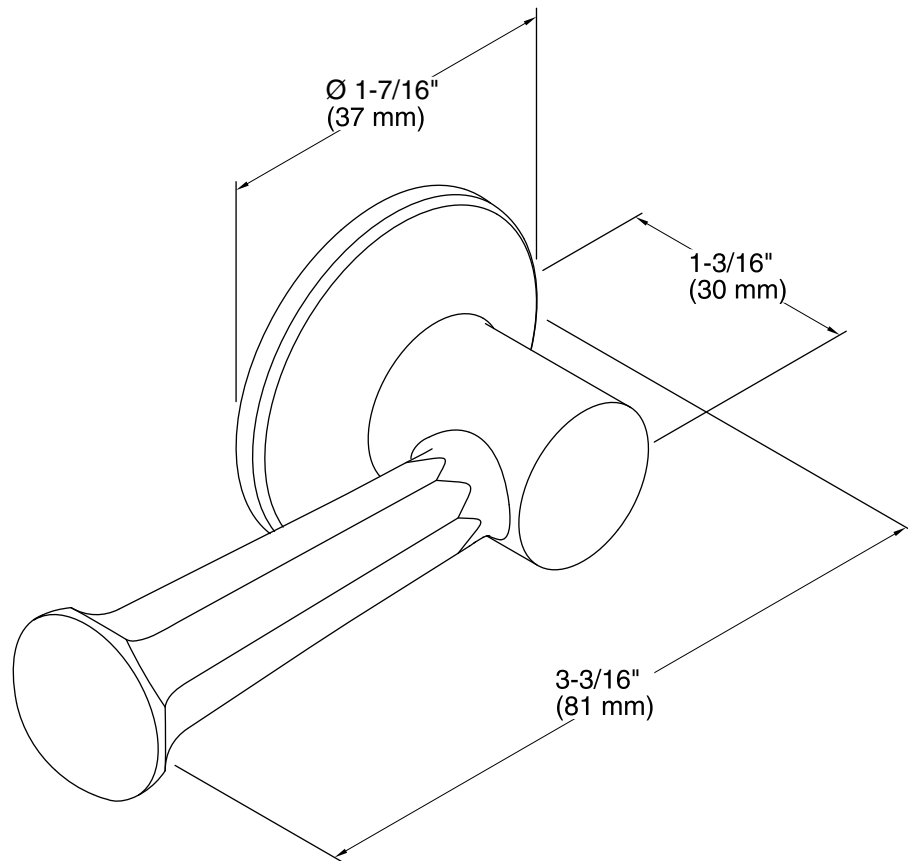
### KOHLER® One-Year Limited Warranty

See website for detailed warranty information.

### Available Color/Finishes

*Color tiles intended for reference only.*

Color	Code	Description
	CP	Polished Chrome
	SN	Vibrant® Polished Nickel
	BN	Vibrant® Brushed Nickel
	BV	Vibrant® Brushed Bronze
	2BZ	Oil-Rubbed Bronze
	VNT	Vintage Nickel



#### Technical Information

All product dimensions are nominal.

#### Notes

ADA compliant when installed to the specific requirements of these regulations.