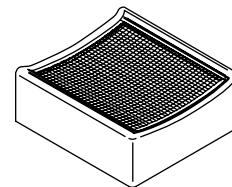
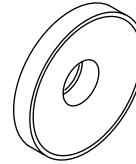


LAMINAR FLOW

Features

- Spout
 - Brass body construction
 - Easy to access cartridge for cleaning or replacement
 - Available in two orifice sizes to optimize performance
 - Wall or ceiling mount
 - 1/2" copper tube sweat connection
 - Pressure compensating flow control
- Drip Tray
 - Brass and stainless steel construction
 - Removable screen for cleaning or replacement

**BATH SPOUT
K-922**
ALSO K-923, K-924



Codes/Standards Applicable

Specified model meets or exceeds the following:

- ASME A112.18.1/CSA B125.1
- IAPMO/UPC
- CSA International

Colors/Finishes

- CP: Polished Chrome
- PB: Vibrant® Polished Brass
- Other: Refer to Price Book for additional colors/finishes

Specified Model

Model	Description	Colors/Finishes		
K-922	*Bath spout (.8" (2 cm) D. orifice)	<input type="checkbox"/> CP	<input type="checkbox"/> PB	<input type="checkbox"/> Other_____
K-923	*Bath spout (.95" (2.4 cm) D. orifice)	<input type="checkbox"/> CP	<input type="checkbox"/> PB	<input type="checkbox"/> Other_____
K-924	Drip tray for use with wall-mounted filler spouts	<input type="checkbox"/> CP	<input type="checkbox"/> PB	<input type="checkbox"/> Other_____

* Valve and handles must be ordered to complete faucet.

Product Specification

The bath spout shall have a brass body. The spout shall be offered in two orifice sizes to optimize performance. The product shall be installed with an optional Drip Tray K-924 when mounted on the wall. The Drip Tray shall have a brass body with stainless steel screen and mounting hardware. The screen shall snap into place, and can easily be removed for cleaning or replacement. Faucet shall be Kohler Model K- _____-_____.

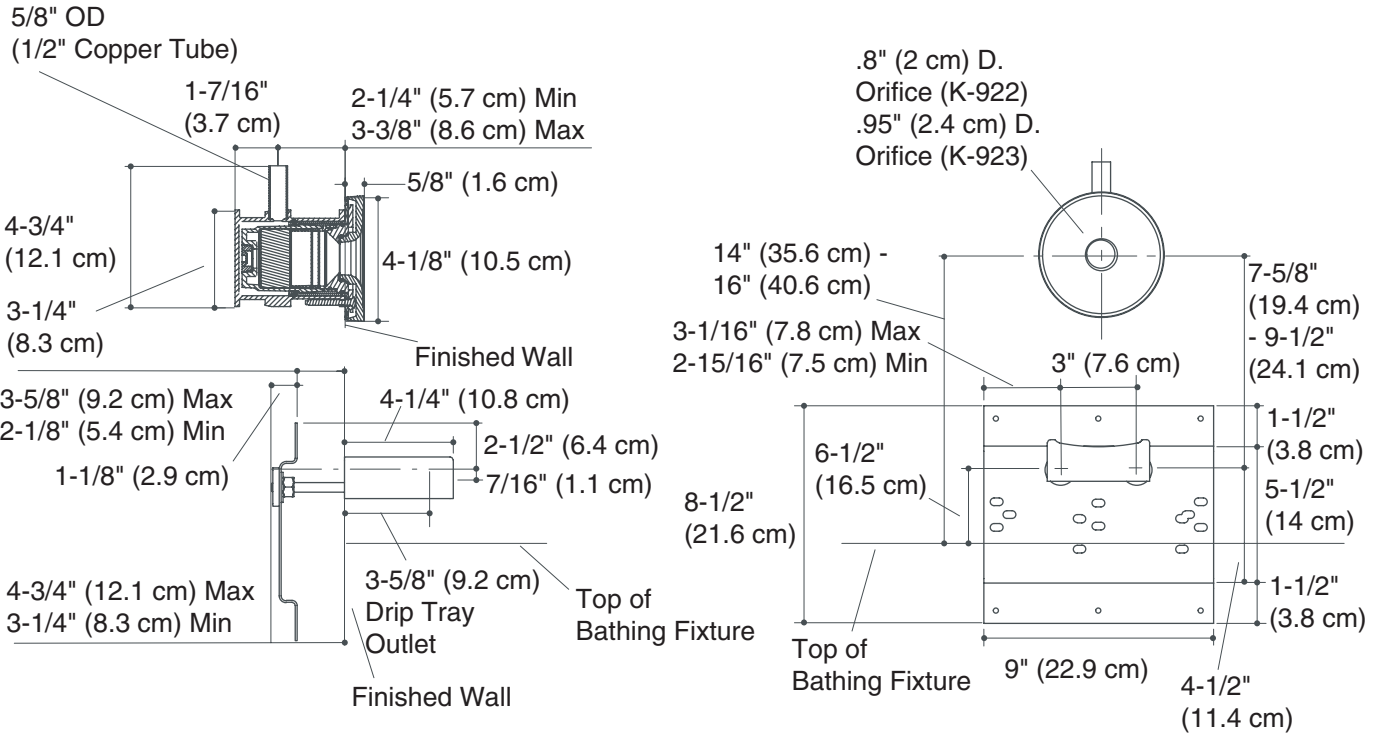
LAMINAR FLOW

Technical Information

Applicable product:			
Spout	Orifice	Flow Range	Recommended Kohler supply valve
K-922	.8" (2 cm) D.	5-10 gpm (19-38 lpm)	K-400-K OR K-401-K OR K-306-KS OR K-302-K
K-923	.95" (2.4 cm) D.	7-15 gpm (26-57 lpm)	K-300-K OR K-301-K
K-924	Drip Tray		Optional

Installation Notes

Install this product according to the installation guide.
For ceiling spout installation, 9 ft (2.74 m) Max height.



Product Diagram