

Features

- Center drain.
- Slotted overflow for deep soaking.
- Integral lumbar support.
- Includes one wooden Float, four cast iron adjustable feet, and one wooden overflow/drain shroud.
- Coordinates with other products in the Reve® collection.
- 66-15/16" (1700 mm) x 36" (914 mm) x 22-1/16" (560 mm)

Material

- Cast iron with Safeguard® finish.

Installation

- Freestanding

Required Accessories

K-7271 Brass Slotted Overflow Bath Drain

or

K-7272 PVC Slotted Overflow Bath Drain

Recommended Accessories

K-1491 Bath/Whirlpool Pillow

K-1601 Bath/Whirlpool Footstop



Codes/Standards

ASME A112.19.1/CSA B45.2

ASTM F462

ASTM F462


KOHLER® Lifetime Limited Warranty for Cast Iron Components

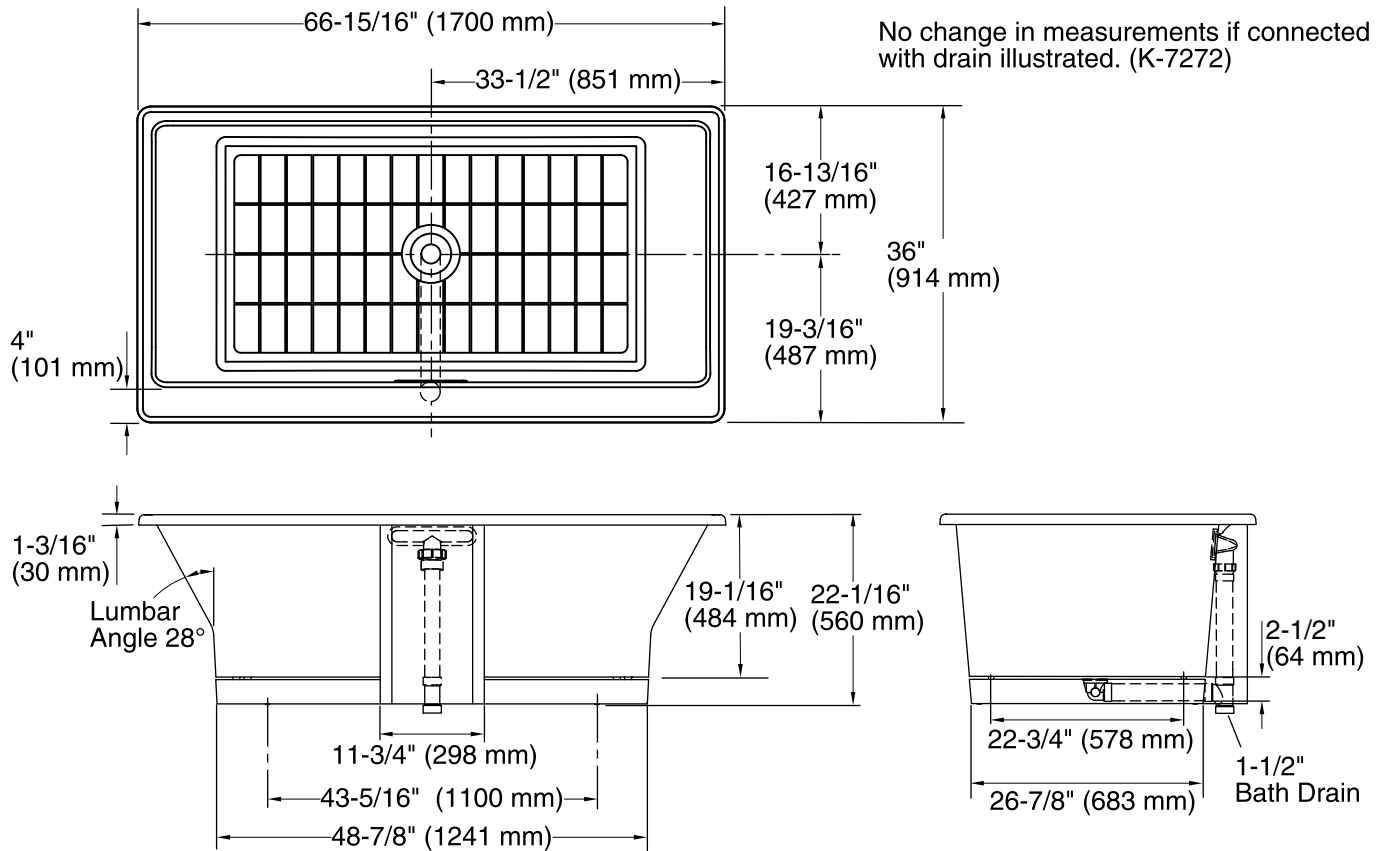
See website for detailed warranty information.

Available Color/Finishes

Color tiles intended for reference only.

Color	Code	Description
-------	------	-------------

	0	White
--	---	-------



Technical Information

All product dimensions are nominal.

Installation:	Freestanding
Drain location:	Center
Basin area, bottom:	49" x 26-1/2" (1245 mm x 673 mm)
Basin area, top:	62-1/2" x 29-1/4" (1588 mm x 743 mm)
Weight:	435 lbs (197.3 kg)
Minimum floor load:	73 lbs/ft ² (356.4 kg/m ²)
Water depth:	15-1/4" (387 mm)
Water capacity:	90 gal (340.7 L)
Minimum flat for door:	0" (0 mm)

Notes

Measure your actual product for rough-in details.

Install this product according to the installation instructions.

The hot water supply should be 70% of the capacity of the bath or greater. Installations will vary.