

Features

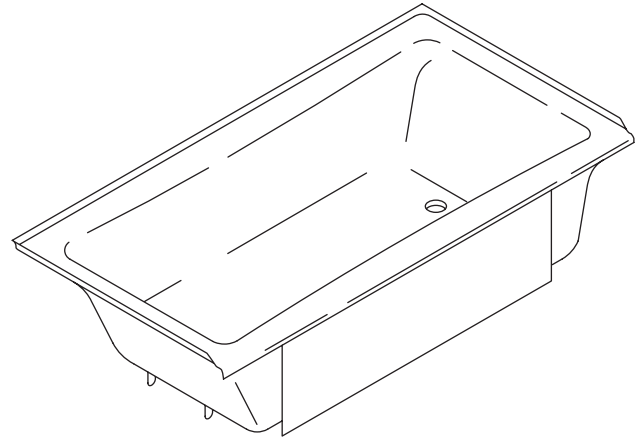
- Cast iron with Safeguard® finish
- Drop-in with three-sided flange
- Available with or without an enameled apron
- 60" (152.4 cm) x 32" (81.3 cm) x 17-1/2" (44.5 cm)

Codes/Standards Applicable

Specified model meets or exceeds the following:

- ASME A112.19.1/CSA B45.2

BATH
K-877
ALSO K-877-S, K-878, K-878-S



Colors/Finishes

- 0: White
- Other: Refer to Price Book for additional colors/finishes

Accessories

- CP: Polished Chrome
- 0: White
- Other: Refer to Price Book for additional colors/finishes

Specified Model

Model	Description	Colors/Finishes	
K-877	Bath – left drain	<input type="checkbox"/> 0	<input type="checkbox"/> Other _____
K-877-S	Bath – for use with custom storage, left drain	<input type="checkbox"/> 0	<input type="checkbox"/> Other _____
K-878	Bath – right drain (shown)	<input type="checkbox"/> 0	<input type="checkbox"/> Other _____
K-878-S	Bath – for use with custom storage, right drain	<input type="checkbox"/> 0	<input type="checkbox"/> Other _____

Required Accessories				
K-7214	Clearflo cable bath drain, less PVC tubing	<input type="checkbox"/> CP	<input type="checkbox"/> Other _____	
K-7261	Fitting/pipe kit			<input type="checkbox"/> NA

Product Specification

The bath shall be made of cast iron with Safeguard finish. Bath shall be 60" (152.4 cm) in length, 32" (81.3 cm) in width, and 17-1/2" (44.5 cm) in height. Bath shall be drop-in with three-sided flange. Bath shall be for alcove installations. Bath shall be available with or without an enameled apron. Bath shall be Kohler Model K-____-____.

HIGHBRIDGE™

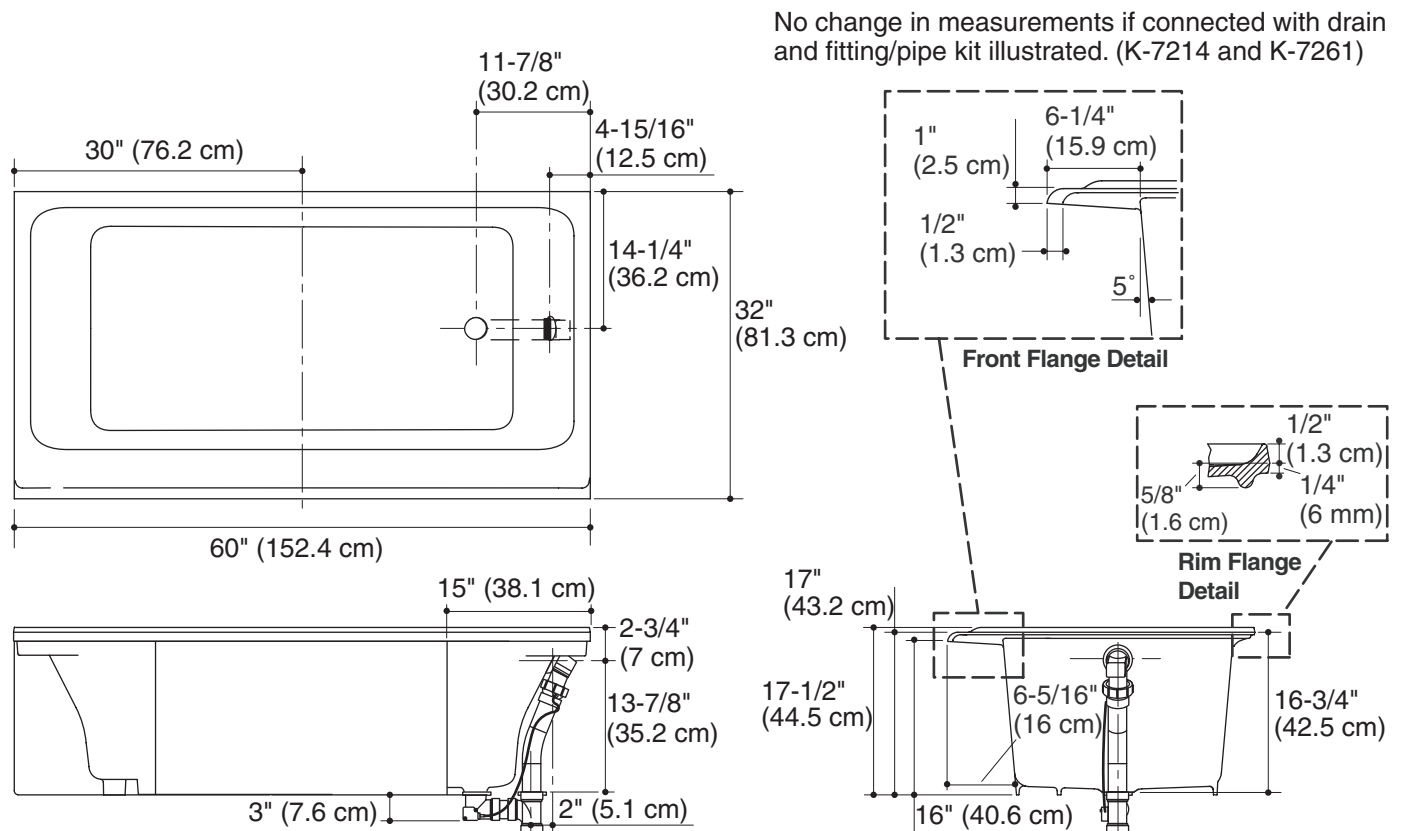
Technical Information

Fixture*:	
Bathing well:	
Basin area, bottom	43-7/8" (111.4 cm) x 20-15/16" (53.2 cm)
Basin area, top	53-3/16" (135.1 cm) x 23-5/16" (59.2 cm)
Weight	275 lbs (124.7 kg)
To overflow:	
Water depth	12-13/16" (32.5 cm)
Capacity	49.5 gal (187.4 L)
* Approximate measurements for comparison only.	

Installation Notes

Install this product according to the installation guide.

Floor support under bath must provide for minimum of 54 lbs/square foot (262 kg/square meter) loading.



Product Diagram