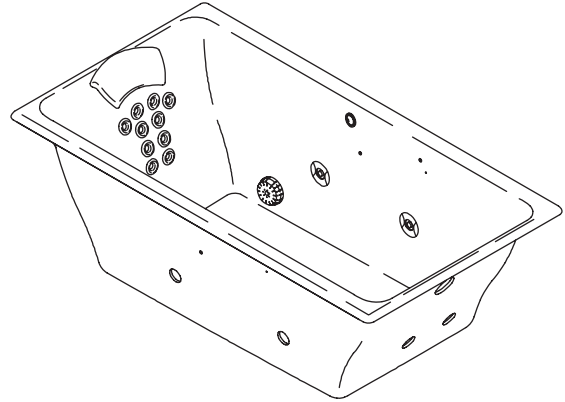


Features

- Cast iron with Safeguard® finish
- UL listed
- Drilled for required grip rails
- Variable speed pump with 1.5 kW heater, back-lit user keypad and remote control
- 6 Flexjets
- Ten color-matched sequencing Bodyssage™ backjets
- Two pulsating neckjets with pillow
- 240 V, 20 A electrical service
- Color-matched jet trim included
- 66" (167.6 cm) x 36" (91.4 cm) x 23" (58.4 cm)

5.5' EXPERIENCE BATH WHIRLPOOL WITH MASSAGE PACKAGE K-856-M



Codes/Standards Applicable

Specified model meets or exceeds the following:

- ASME A112.19.1
- ASME A112.19.7M
- UL 1795

Colors/Finishes

- 0: White
- Other: Refer to Price Book for additional colors/finishes

Accessories

- CP: Polished Chrome
- PB: Vibrant® Polished Brass
- Other: Refer to Price Book for additional colors/finishes

Specified Model

Model	Description	Colors/Finishes		
K-856-M	5.5' Experience bath whirlpool with Massage Package	<input type="checkbox"/> 0	<input type="checkbox"/> Other_____	
Required Accessories				
K-7148-AF	Adjustable pop-up bath drain	<input type="checkbox"/> CP	<input type="checkbox"/> PB	<input type="checkbox"/> Other_____
K-9653	Grip rails (pair)	<input type="checkbox"/> CP	<input type="checkbox"/> PB	<input type="checkbox"/> Other_____
Optional Accessories				
K-1601	Footstop	<input type="checkbox"/> 0	<input type="checkbox"/> Other_____	

Product Specification

The bath whirlpool shall be 66" (167.6 cm) in length, 36" (91.4 cm) in width, and 23" (58.4 cm) in height. Product shall be made of cast iron with Safeguard® finish. Product shall have 6 Flexjets, a variable speed pump, 1.5 kW heater, back-lit user keypad and remote control. Product shall have 10 color-matched sequencing Bodyssage backjets and 2 pulsating neckjets with pillow. Product shall be drilled for K-9653 grip rails (required) and UL listed. Bath whirlpool shall be Kohler Model K-856-M-_____.

TEA-FOR-TWO™

Technical Information

Fixture*:	
Basin area:	
Bathing area, bottom	42" (106.7 cm) x 25" (63.5 cm)
Bathing area, top	58" (147.3 cm) x 29" (73.7 cm)
Weight	510 lbs (231.3 kg)
To overflow:	
Water depth	18" (45.7 cm)
Capacity	96 gal (363.4 L)
* Approximate measurements for comparison only.	

Pump:	kW	V	Hz	A
	1.5	240	50/60	15

Drop-in cut-out	65-1/2" (166.4 cm) x 35-1/2" (90.2 cm) Max
-----------------	--

Required Electrical Service

Dedicated circuit required, protected with Class A Ground-Fault Circuit-Interrupter (GFCI) or Residual Current Device (RCD):

Pump/control	220-240 V, 20 A, 50/60 Hz
--------------	---------------------------

Installation Notes

Install this product according to the installation guide.

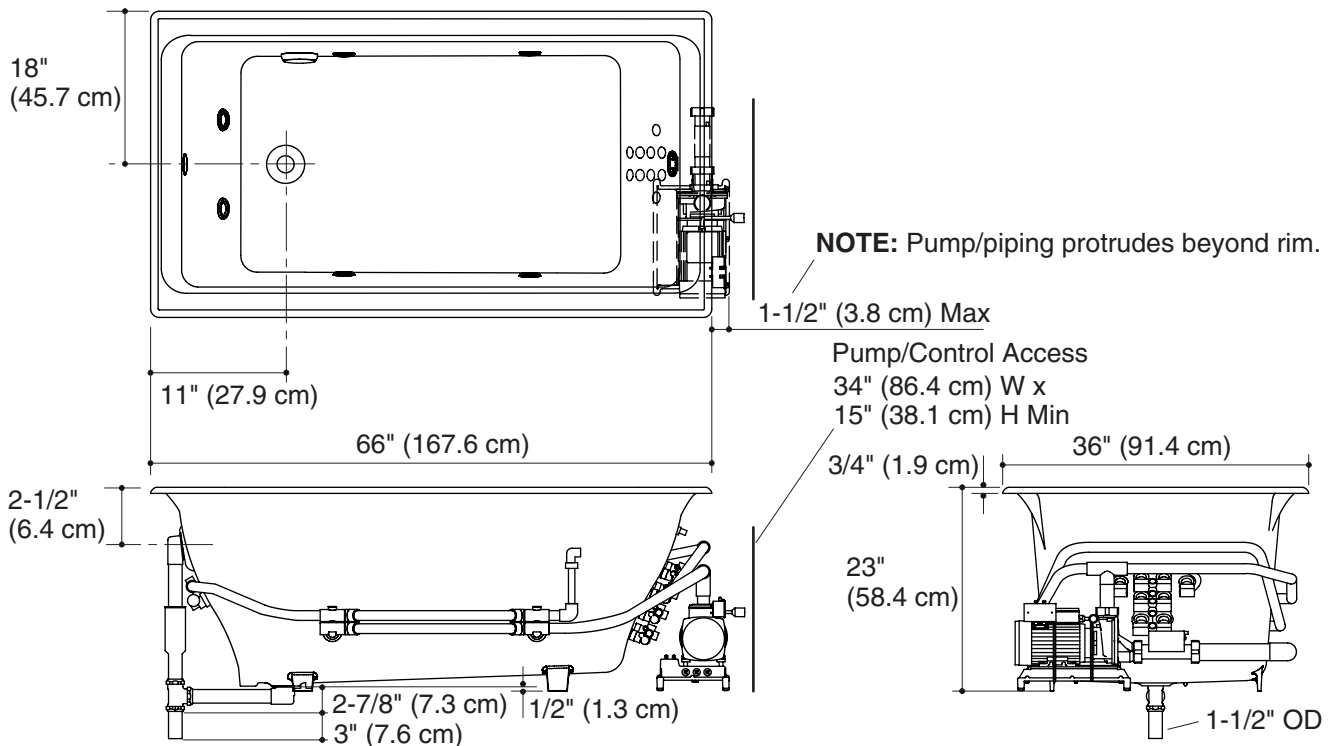
Floor support under whirlpool must provide for a minimum of 81 lbs/square foot (395 kg/square meter) loading.

Cast iron whirlpools are extremely heavy, making some drop-in installations difficult. Splitting the deck/surround is recommended if installing into a deck.

Pump/piping protrudes beyond rim (see below).

Hot water supply should be 70% of capacity or greater. Installations will vary.

No change in measurements with drain shown. (K-7148-AF or K-7148M-AF)



Product Diagram