

Features

- Integral flange.
- Left drain.
- Integral lumbar support.

Material

- Cast iron with Safeguard® finish.

Hydrotherapy

- Eight fully adjustable Flexjet™ hydrotherapy jets for water flow and direction.
- Built-in 1500 W heater.
- Lighted keypad control.
- Remote control.

Installation

- Alcove
- 66" (1676 mm) x 36" (914 mm) x 24" (610 mm)

Required Accessories

- K-7147-AF 1-1/2" Contoured Pop-up Drain
- K-9698 Flexjet® Whirlpool Trim Kit



Codes/Standards











- ASME A112.19.1/CSA B45.2
- ASME A112.19.7/CSA B45.10
- ASTM F462
- UL 1795
- CSA C22.2 No. 218.2
- CARB P2

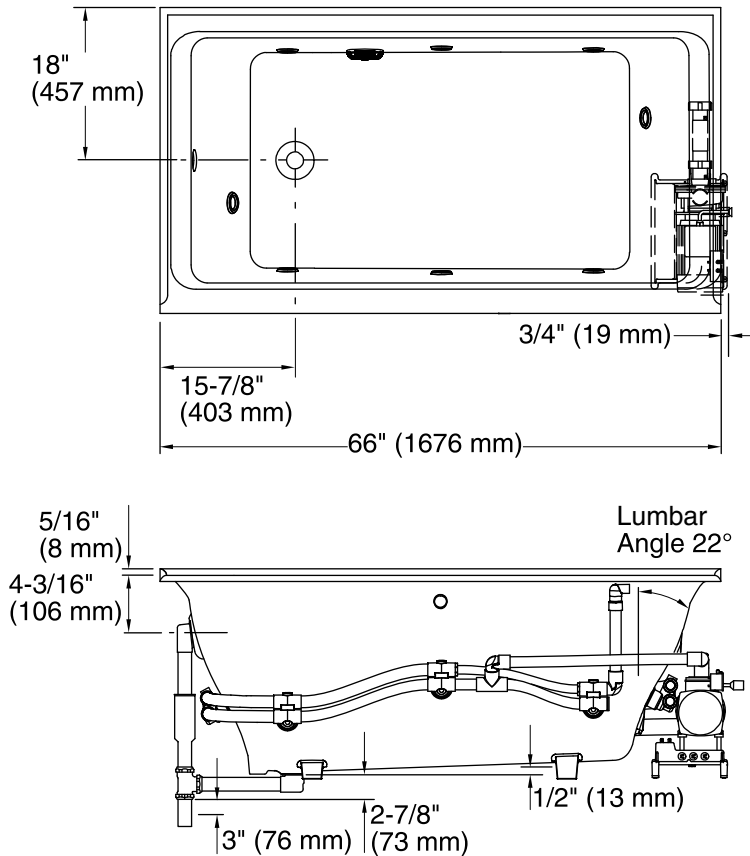
KOHLER® Lifetime Limited Warranty for Cast Iron Components

See website for detailed warranty information.

Available Color/Finishes

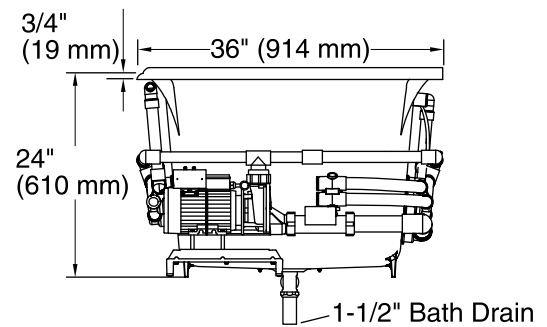
Color tiles intended for reference only.

Color	Code	Description
	0	White
	96	Biscuit
	47	Almond
	NY	Dune
	95	Ice™ Grey
	G9	Sandbar
	33	Mexican Sand™
	K4	Cashmere
	58	Thunder™ Grey
	7	Black Black™



No change in measurements if connected with drain illustrated. (K-7147-AF)

Pump/Control Access
34" (864 mm) x 15" (381 mm)



Required Electrical Service

One dedicated circuit required, protected with Class A Ground-Fault Circuit-Interrupter (GFCI) or Residual Current Device (RCD).

Pump: 240 V, 20 A, 50/60 Hz

Technical Information

All product dimensions are nominal.

Installation: 3-Wall Alcove
 Drain location: Left
 Basin area, bottom: 45" x 25" (1143 mm x 635 mm)
 Basin area, top: 58" x 29" (1473 mm x 737 mm)
 Weight: 510 lbs (231.3 kg)
 Minimum floor load: 86 lbs/ft² (419.9 kg/m²)
 Water depth: 19-1/2" (495 mm)
 Water capacity: 105 gal (397.5 L)
 Electrical component rating: Pump: 240 V, 11 A, 1500 W
 Pump speed: Variable
 Minimum flat for door: 1-13/16" (46 mm)

Notes

Measure your actual product for rough-in details.

Install this product according to the installation instructions.

The hot water supply should be 70% of the capacity of the bath or greater. Installations will vary.

Cast iron whirlpools are extremely heavy, making some drop-in installations difficult. Splitting the deck/surround is recommended if installing into a deck.