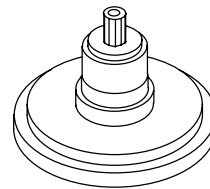
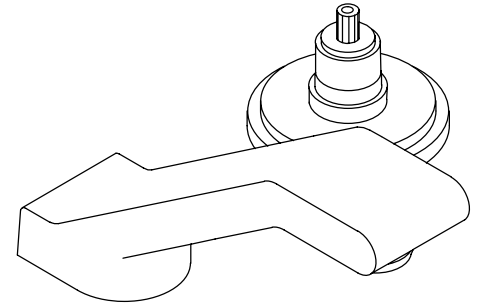


**LAVATORY BASE FAUCET  
K-8212-K**

**FEATURES**

- Brass construction
- Flexible connections
- Brass valve bodies
- Quarter-turn washerless ceramic disc valves
- 5-3/8" spout
- Vandal-resistant aerator
- 2.0 gallons per minute
- Available with vandal-resistant lever or T-handles



**CODES/STANDARDS APPLICABLE**

Specified model meets or exceeds the following:



- ASME/ANSI A112.18.1M
- CSA B125
- Energy Policy Act of 1992
- NSF 61

**COLORS/FINISHES**

- CP Polished Chrome

**SPECIFIED MODEL:** For complete faucet, both base faucet and handle choice must be specified.

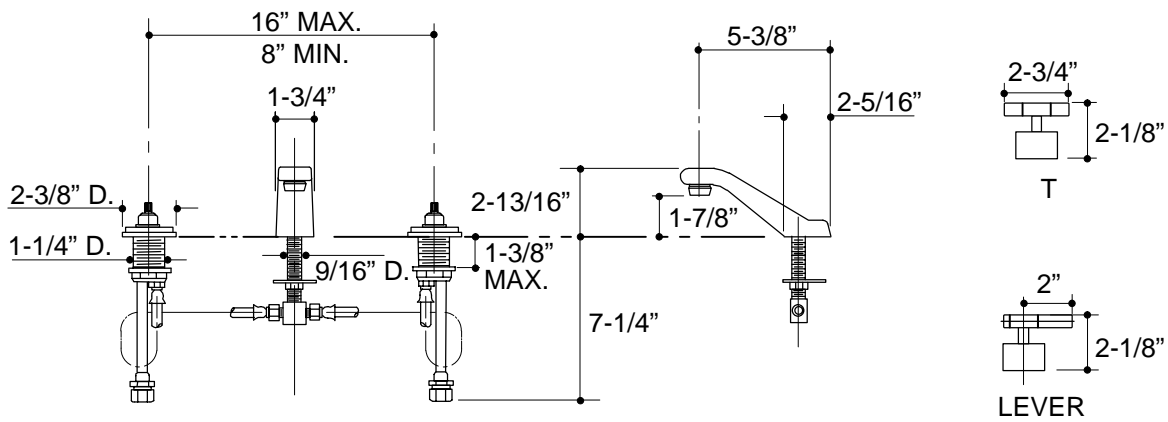
Model	Description	
K-8212-K	Taboret Widespread Lavatory Base Faucet	<input type="checkbox"/> CP

Required Accessory (Includes Two Handles)		 ADA	 ADA
K-16070-4C	Vandal-Resistant Lever Handles and Aerator	<input type="checkbox"/> CP	
K-16070-6C	Vandal-Resistant T-Handles and Aerator		<input type="checkbox"/> CP

**PRODUCT SPECIFICATION:**

Two-handle widespread lavatory base faucet shall be of brass construction. Faucet shall feature brass valve bodies. Faucet shall feature quarter-turn washerless ceramic disc valves, assuring positive handle stop positioning. Product shall be less drain. Product shall include flexible connections, 5-3/8" spout, and vandal-resistant aerator. Faucet shall be Kohler Model K-8212-K-CP and vandal-resistant handles shall be Kohler Model K-16070-\_\_\_\_\_-CP.

# TABORET®



## PRODUCT DIAGRAM