

Features

- Brass construction.
- Brass valve bodies.
- Quarter-turn washerless ceramic disc valves.
- Lower flow aerator options are available (refer to the Kohler Price Book).
- Variety of handle style options.
- For 8" (203 mm) centers.
- 8-1/8" (206 mm) swing spout.
- Less drain.
- 2.0 gal/min (7.6 l/min) maximum flow rate [max at 60 psi (4.14 bar)].

Required Accessories

K-16012-2 Standard Handles for Widespread Base Faucet

or

K-16012-3 Cross Handles for Widespread Base Faucet

or

K-16012-4 Lever Handles for Widespread Base Faucet

or

K-16012-5 Wristblade Handles for Widespread Base Faucet

Optional Accessories

77619 Deep Rough-in Kit

1011402 SD Spray Deep Rough-in Kit

1160595 .35 gpm Aerator, Medium



ADA

Codes/Standards

ASME A112.18.1/CSA B125.1

NSF 61

NSF 372

All applicable US Federal and State material regulations

DOE - Energy Policy Act 1992

California Energy Commission (CEC)

ADA

ICC/ANSI A117.1

KOHLER® Faucet Lifetime Limited Warranty

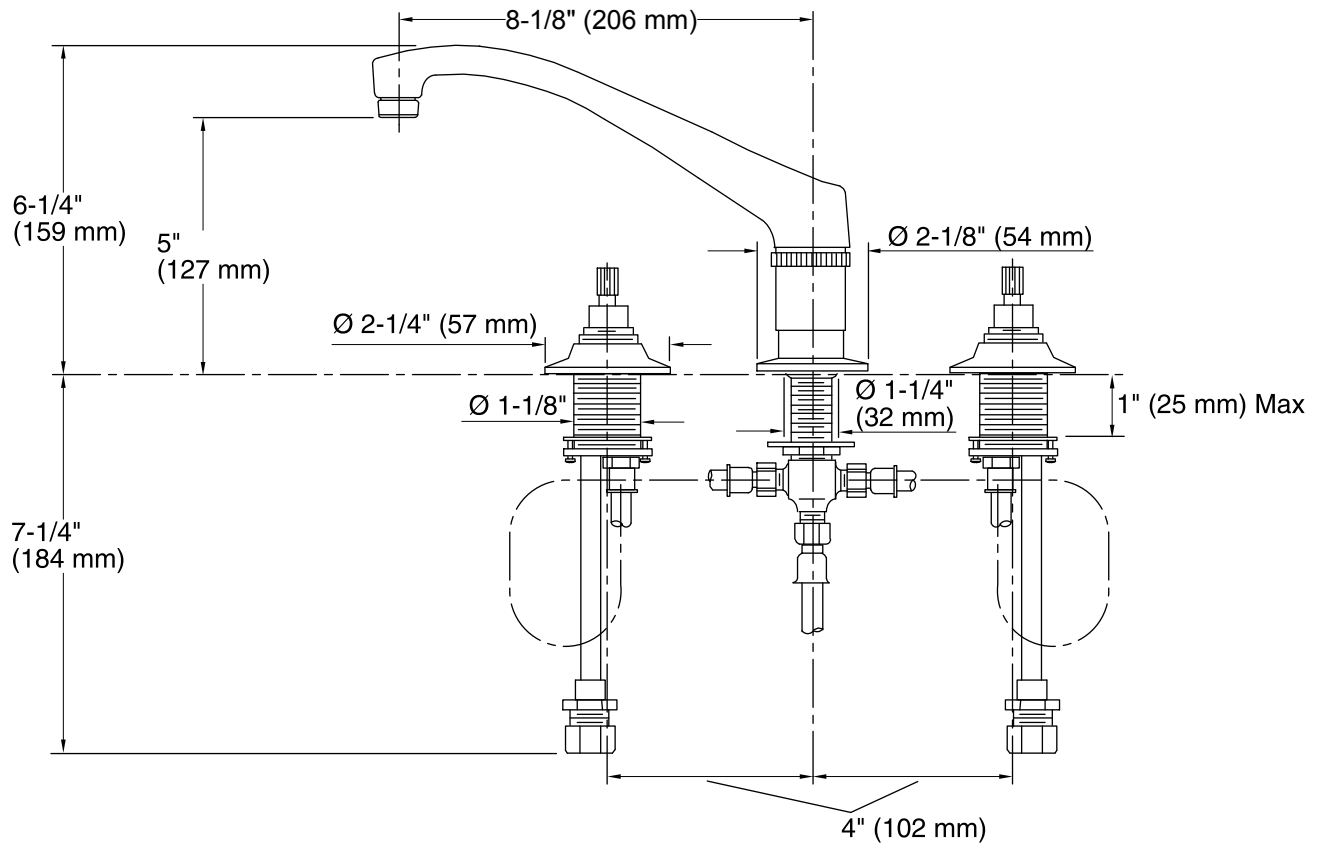
See website for detailed warranty information.

Available Color/Finishes

Color tiles intended for reference only.

Color	Code	Description
-------	------	-------------

	CP	Polished Chrome
--	----	-----------------



Technical Information

All product dimensions are nominal.

Spout:

Spout reach: 8-1/8" (206 mm)

Faucet:

Flow rate: 2.2 gal/min (8.3 l/min)

Pressure: 60 psi (4.1 bar)

Notes

Install this product according to the installation guide.

ADA compliant when installed to the specific requirements of these regulations.