

**BATH FAUCET TRIM
K-T45117**

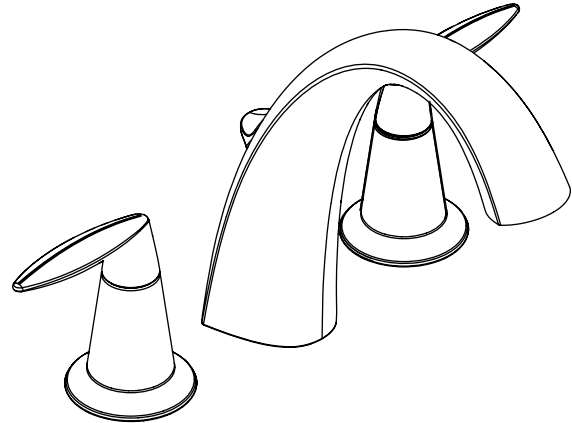
Features

- Metal construction
- Bath- or deck-mount
- High-arch diverter spout with slip-fit connection and diverter knob
- 7-5/8" (19.4 cm) spout reach

Codes/Standards Applicable

Specified model meets or exceeds the following:

- ASME A112.18.1/CSA B125.1
- All applicable US Federal and State material regulations



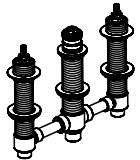
Colors/Finishes

- CP: Polished Chrome
- Other: Refer to Price Book for additional colors/finishes

Accessories

- NA: None applicable

Specified Model

Model	Description	Colors/Finishes	
K-T45117-4	Bath faucet trim	<input type="checkbox"/> CP	<input type="checkbox"/> Other _____
Required Accessories			
K-438-K	1/2" high-flow ceramic disc valve system with integral diverter	<input type="checkbox"/> NA	

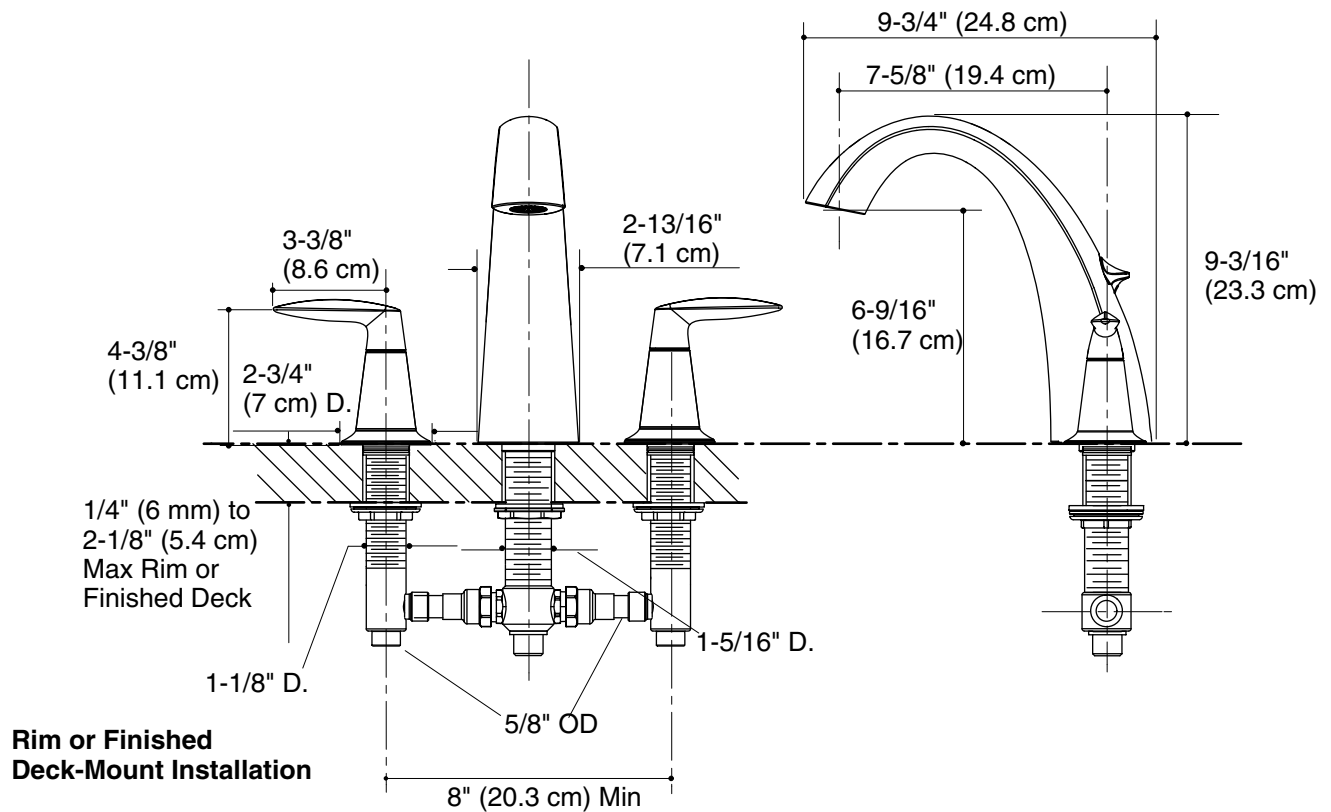
Product Specification

The two-handle bath- or deck-mount bath faucet trim shall be of metal construction. Faucet trim shall install to bath or finished deck. Faucet trim shall include a high-arch 7-5/8" (19.4 cm) reach diverter spout with slip-fit connection and diverter knob. Faucet trim shall be Kohler Model K-T45117-4 _____ - _____ and valve system shall be Kohler Model K-438-K-NA.

ALTEO™

Installation Notes

Install this product according to the installation guide.



Product Diagram