

Features

- Brass construction
- Available with cross or lever handles
- Push-button diverter
- Available with 35° or 90° spouts
- Include showerhead with arm and flange, non-diverter spout with NPT connection, and faceplate with handle and push-button diverter [K-T14420, K-T14421]
- Include showerhead with arm and flange, and faceplate with handle [K-T14422]
- 2.0 gpm (7.6 lpm) showerhead with Katalyst™ Spray Technology

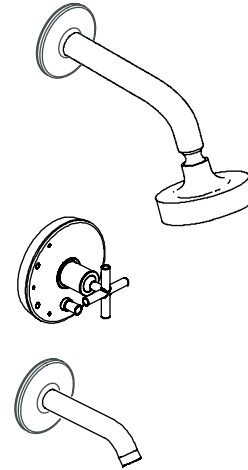
Codes/Standards Applicable

Specified model meets or exceeds the following:

- ASME A112.18.1/CSA B125.1

**BATH AND SHOWER VALVE TRIM
K-T14420**

ALSO K-T14421, K-T14422



Colors/Finishes

- CP: Polished Chrome
- Other: Refer to Price Book for additional colors/finishes

Accessories

- CP: Polished Chrome
- Other: Refer to Price Book for additional colors/finishes
- NA: None applicable

Specified Model

Model	Description	Colors/Finishes	
K-T14420-3E	Bath and shower valve trim, cross handle and 35° Spout (shown)	<input type="checkbox"/> CP	<input type="checkbox"/> Other ____
K-T14420-4E	Bath and shower valve trim, lever handle and 35° Spout	<input type="checkbox"/> CP	<input type="checkbox"/> Other ____
K-T14421-3E	Bath and shower valve trim, cross handle and 90° Spout	<input type="checkbox"/> CP	<input type="checkbox"/> Other ____
K-T14421-4E	Bath and shower valve trim, lever handle and 90° Spout	<input type="checkbox"/> CP	<input type="checkbox"/> Other ____
K-T14422-3E	Shower valve trim, cross handle	<input type="checkbox"/> CP	<input type="checkbox"/> Other ____
K-T14422-4E	Shower valve trim, lever handle	<input type="checkbox"/> CP	<input type="checkbox"/> Other ____

Product Specification

Valve trim shall be made of brass construction. Bath and shower valve trim shall include showerhead with arm and flange, non-diverter spout with NPT connection, and faceplate with handle and push-button diverter. Shower valve trim shall include showerhead with arm and flange, and faceplate with handle. Product shall be available with cross or lever handles. Product shall also be available with 35° or 90° spouts. Product shall feature 2.0 gpm (7.6 lpm) showerhead with Katalyst Spray Technology. Product shall be K-____-____-____ OR K-____-____, and Rite-Temp® valve shall be K-____-____-NA.

PURIST®

Required Accessories

K-304-*	Rite-Temp® valve OR	<input type="checkbox"/> NA
K-2971-KS	HiFlow Rite-Temp valve with stops OR	<input type="checkbox"/> NA
K-11748-K	Rite-Temp valve with diverter OR	<input type="checkbox"/> NA
K-11748-KS	Rite-Temp valve with diverter and stops	<input type="checkbox"/> NA

* For a complete listing of all the Rite-Temp valves, refer to the K-304-* Specification sheet or Roughing-in sheet.

Optional Accessories

88526	HiFlow Rite-Temp® thin wall installation kit	<input type="checkbox"/> CP	Other ____
1016154	Deep roughing-in kit for Rite-Temp valve (lever and cross handles)	<input type="checkbox"/> CP	Other ____

Installation Notes

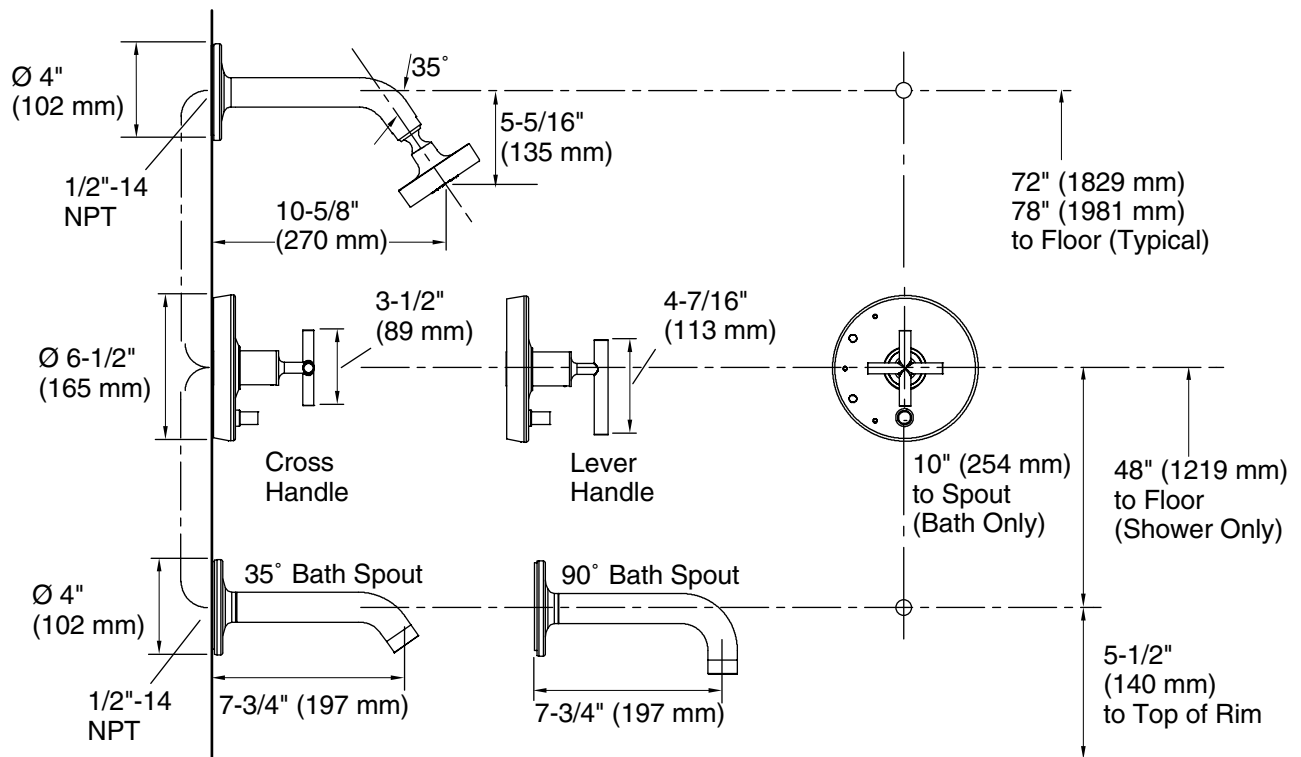
Install this product according to the installation guide.

NOTICE: Risk of product damage. Long screws, for installing trim, can damage the K-2971-KS valve. Consult the trim installation guide to verify if the thin wall installation kit (88526) is needed.

Avoid cross-flow conditions. Do not install shut-off device on either valve outlet.

Cap shower outlet if deck-mount spout, diverter, or handshower is connected to spout outlet.

Install straight pipe or tube drop of 7" (178 mm) to 18" (457 mm) with single elbow between valve and wall-mount spout.



Product Diagram