

**BATH CABLE DRAIN
K-7273**

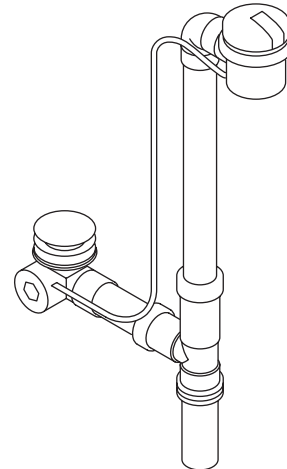
Features

- 17-gauge brass construction
- Brass tailpiece
- 1-1/2" OD connection
- Through-the-floor installation
- Cable operated
- Intended for use with Purist® and Fountainhead™ baths

Codes/Standards Applicable

Specified model meets or exceeds the following:

- IAPMO/cUPC
- ASME A112.18.2/CSA B125.2



Colors/Finishes

- CP: Polished Chrome
- PB: Vibrant® Polished Brass
- Other: Refer to Price Book for additional colors/finishes

Specified Model

Model	Description	Colors/Finishes		
		<input type="checkbox"/> CP	<input type="checkbox"/> PB	<input type="checkbox"/> Other_____
K-7273	Bath cable drain			

Product Specification

The bath cable drain shall be made of 17-gauge brass construction with a brass tailpiece. Product shall be cable operated. Product shall be 1-1/2" OD connection. Product shall be for through-the-floor installation. Product is intended for use with Purist and Fountainhead baths. Bath cable drain shall be Kohler Model K-7273-_____.

CLEARFLO

Installation Notes

Install this product according to the installation and care guide.

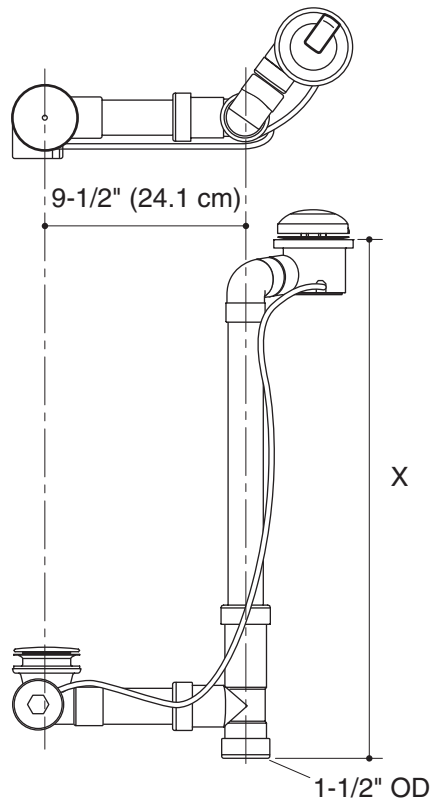
Dimension **X** = The cut length of the brass pipe will depend upon your bath model. To determine the correct cut length of the brass pipe, refer to the cut-line template packed with the drain or the "Cut the Pipe" section of the installation and care guide.

NOTE: When using the cut-line template, butt the edges of the cut-line template against the respective flat ends of the overflow coupling and drain elbow fittings. This will ensure the brass pipe is cut to the correct length.

For Baths: K-1190

K-1110

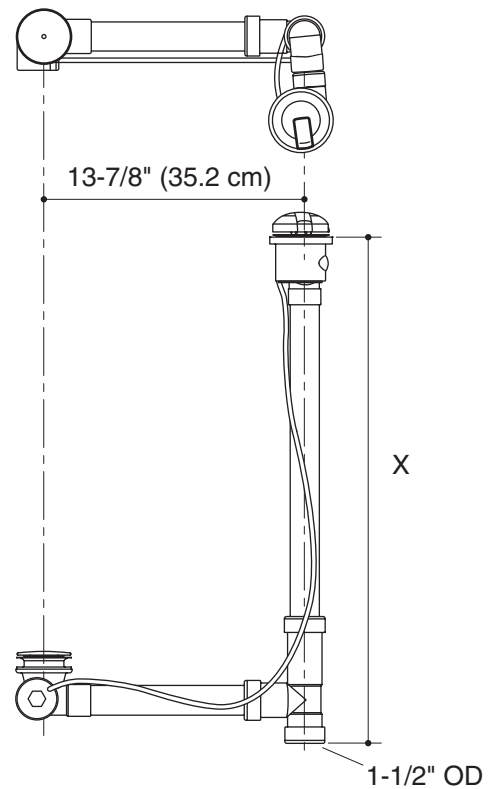
K-1110-G, -GCR, -CT, -AH, -M, -V



For Baths: K-1143

K-1152

K-1153



Product Diagram