

Features

- Frameless design highlights showering area.
- Two-roller compression latches allow for smooth secure door closure.
- A concealed hinge provides smooth, stable operation.
- No top header eliminates clearance issues.
- Frameless, 1/4" (6 mm) thick Falling Lines tempered glass complete the look of this door.
- Elegant inside and outside brass pull handles.
- CleanCoat® technology creates a barrier between the water and glass to help keep your shower door looking new.

Material

- Anodized aluminum prevents rusting or corrosion.
- Tempered glass ensures maximum safety and durability.

Installation

- Out-of-plumb adjustability allows for simpler installation.
- Can be installed to open to the left or right.

Components

Additional included component/s: Hardware kit.



Codes/Standards




CPSC 16CFR 1201
ANSI Z97.1 (Tempered Glass)

KOHLER® One-Year Limited Warranty

See website for detailed warranty information.

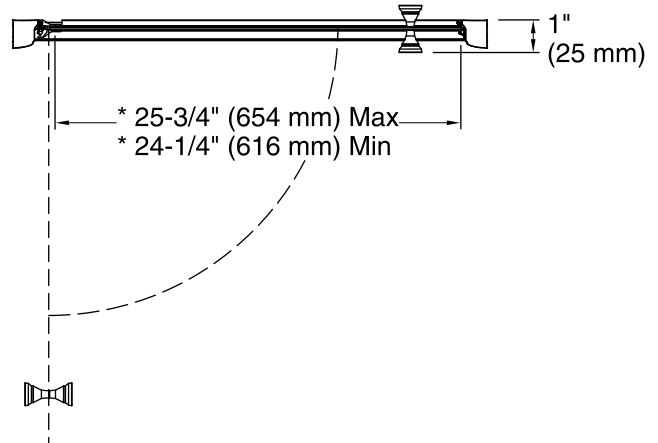
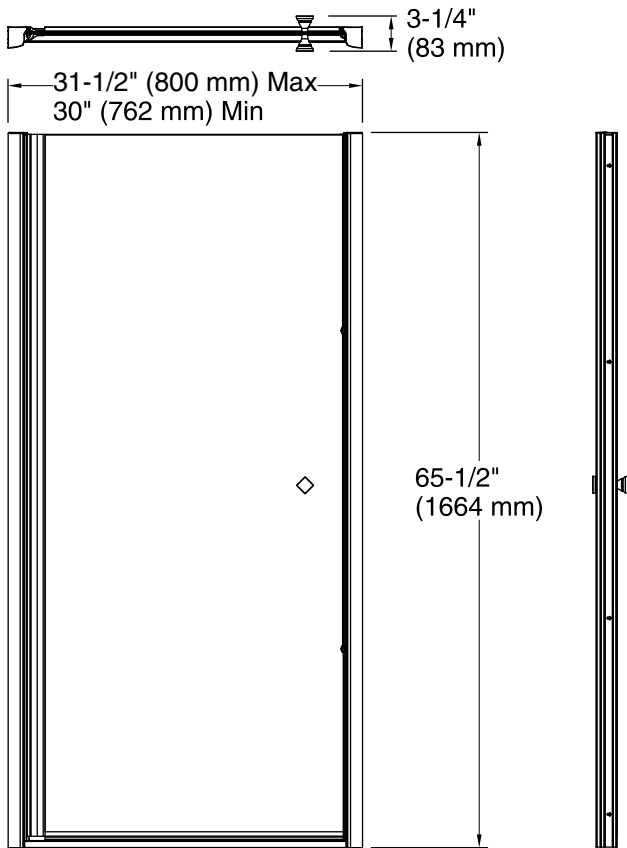
Available Color/Finishes

Color tiles intended for reference only.

Color	Code	Description
	SH	Bright Silver
	MX	Matte Nickel
	ABV	Anodized Brushed Bronze

Available Glass Options

Code	Description
G54	Falling Lines



* Walk-Through

Technical Information

All product dimensions are nominal.

Installation type:	For shower base installation
Opening style:	Pivot
Opening Width - Min:	30" (762 mm)
Opening Width - Max:	31-1/2" (800 mm)
Walk-through - Min:	24-1/4" (616 mm)
Walk-through - Max:	25-3/4" (654 mm)
Glass thickness:	1/4" (6 mm)
Glass coating:	CleanCoat®

Notes

Install this product according to the installation guide.

The vertical opening should be a minimum of 66" (1676 mm) to allow for installation clearance.