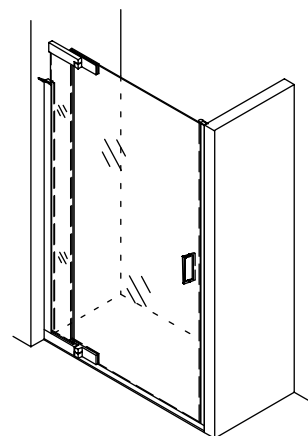


PIVOT SHOWER DOORS K-702010

Features

- Frameless design maximizes glass area
- 3" (7.6 cm) of door width adjustment
- 1/4" (6 mm) thick tempered safety glass door
- 3/8" (1 cm) thick tempered safety glass stationary panel for stability
- Installs on fiberglass, acrylic, or custom tiled applications
- Right or left door swing
- Solid brass door handle
- 72-3/8" (183.8 cm) height



Codes/Standards Applicable

Specified model meets or exceeds the following:

- ANSI Z97.1 (tempered glass)

Glass Options

- D3: Frosted
- L: Clear

Frame Finishes/Colors:

- SH: Bright Silver
- BN: Brushed Nickel

Specified Model

Model		Application	Glass Options		Colors/ Finishes	
*	K-702010	Shower	D3	L	SH	BN
	K-702011	Shower	D3	L	SH	BN
	K-702012	Shower	D3	L	SH	BN
*	K-702013	Shower	D3	L	SH	BN
* Stock doors						

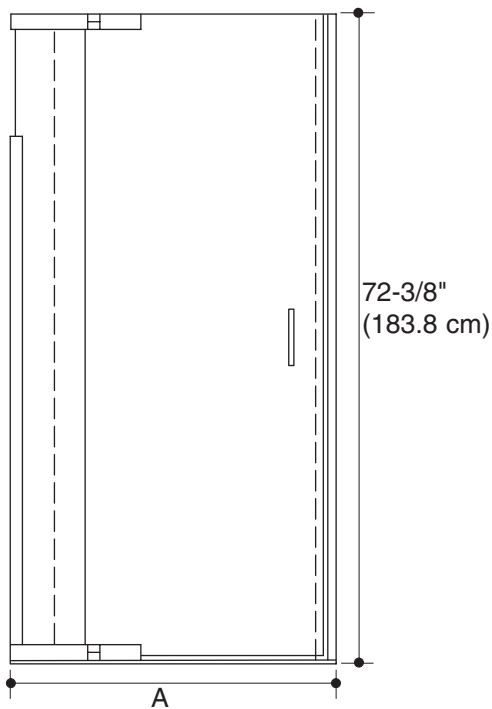
Product Specification

The pivot shower door shall be 72-3/8" (183.8 cm) height with 3" (7.6 cm) of door width adjustment. Door shall feature a frameless design to maximize the glass area with 1/4" (6 mm) thick tempered safety glass door, and 3/8" (1 cm) tempered safety glass stationary panel for stability. Door shall install on fiberglass, acrylic, or custom tiled applications with a right or left door swing. Door shall feature a solid brass door handle. Door shall be Kohler Model K-_____ - _____ - _____.

PURIST®

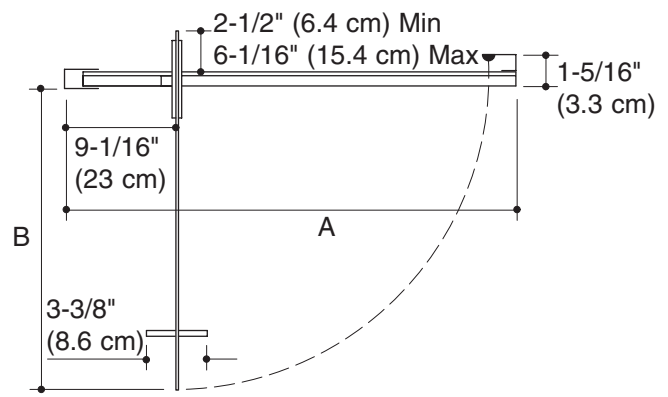
Installation Notes

Install this product according to the installation guide.



Rough-In Notes	A	B
K-702010	30" (76.2 cm) - 33" (83.8 cm)	20-5/16" (51.6 cm) Min 23-15/16" (60.8 cm) Max
K-702011	33" (83.8 cm) - 36" (91.4 cm)	23-5/16" (59.2 cm) Min 26-15/16" (68.4 cm) Max
K-702012	36" (91.4 cm) - 39" (99.1 cm)	26-5/16" (66.8 cm) Min 29-15/16" (76 cm) Max
K-702013	39" (99.1 cm) - 42" (106.7 cm)	29-5/16" (74.5 cm) Min 32-15/16" (83.7 cm) Max

NOTE: A minimum of 1-1/2" (3.8 cm) open area above the height of the door, 72-3/8" (183.8 cm), is required for side panel and door installation.



PLAN VIEW

Product Diagram