

Features

- Clean lines and streamlined style add contemporary appeal to any bathroom
- Curved basin creates a comfortable bathing experience
- Safeguard® slip-resistant surface provides excellent traction underfoot

Material

- KOHLER® enameled cast iron

Installation

- Reversible drain
- Drop-in

Required Products/Accessories

K-7213 27" Cable Bath Drain

K-7214 27" Cable Bath Drain

or

K-T37391 Rotary-turn bath drain trim

K-T37392 Rotary-turn bath drain trim

or

K-37385 rough-in cable drain, PVC, 45" cable

K-78439 45" cable bath drain

Recommended Products/Accessories

K-18416 Adjustable Feet

K-1179 Vinyl Tiling-in Bead

K-23726 Drain treatment

K-23725 Cast iron cleaner

K-31796 Above-the-floor bath drain kit

K-31798 Bath drain kit



Codes/Standards

ASME A112.19.1/CSA B45.2

ASTM F462

IAPMO Certification

KOHLER® Enameled Cast Iron Bath and Shower Base Lifetime Limited Warranty

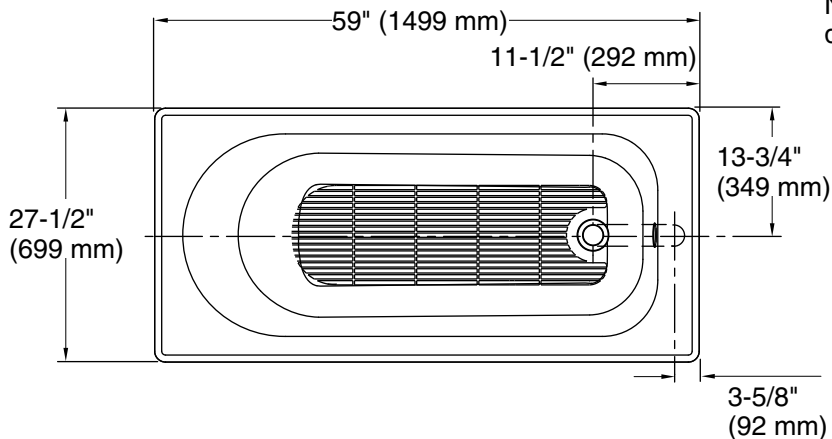
See website for detailed warranty information.

Available Colors/Finishes

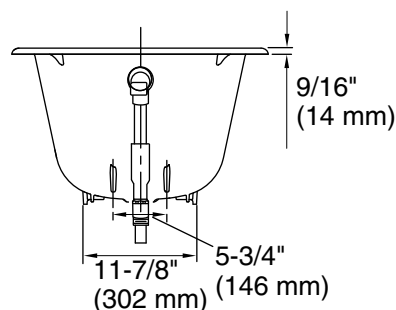
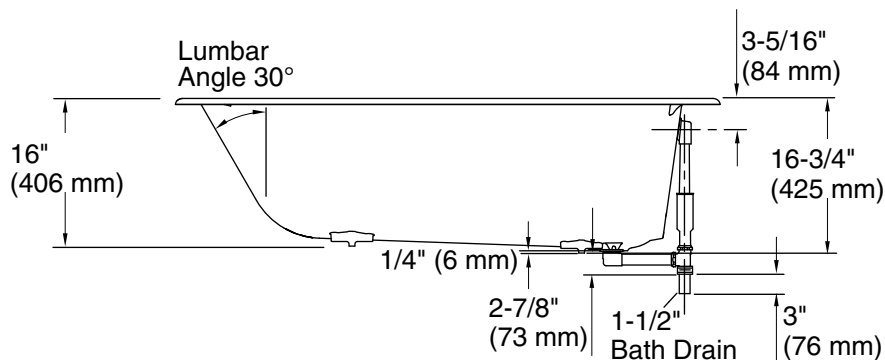
Color tiles intended for reference only.

Color	Code	Description
-------	------	-------------

	0	White
---	---	-------



No change in measurement if connected with drain illustrated. (K-7161-AF)



Technical Information

All product dimensions are nominal.

Drain location:	Reversible
Basin area, bottom:	43-7/8" x 17-5/16" (1114 mm x 440 mm)
Basin area, top:	51-7/16" x 21-15/16" (1307 mm x 557 mm)
Weight:	232 lbs (105.2 kg)
Minimum floor load:	50 lbs/ft ² (244.1 kg/m ²)
Water depth:	11-5/16" (287 mm)
Water capacity:	33.4 gal (126.4 L)
Cutout:	Drop-in, 57-1/2" x 26" (1461 mm x 660 mm)
Minimum flat for door:	1-1/16" (26 mm)

Notes

Measure your actual product for rough-in details.

Install this product according to the installation instructions.

The hot water supply should be 70% of the capacity of the bath or greater. Installations will vary.