



Features

- Integral flange.
- Center drain.
- Removable drain cover.
- One-piece construction.
- Coordinates with other products in the Archer collection.
- Coordinates with Choreograph™ walls.

Material

- Acrylic

Installation

- Alcove

Recommended Accessories

K- 9132 Shower Drain



Codes/Standards

ASME A112.19.1/CSA B45.2
CSA B45.5/IAPMO Z124
ASTM E162
ASTM E662
Greenguard UL 2818 - Gold

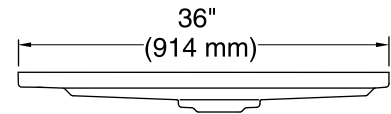
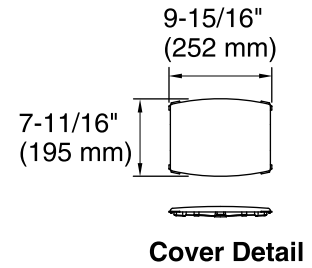
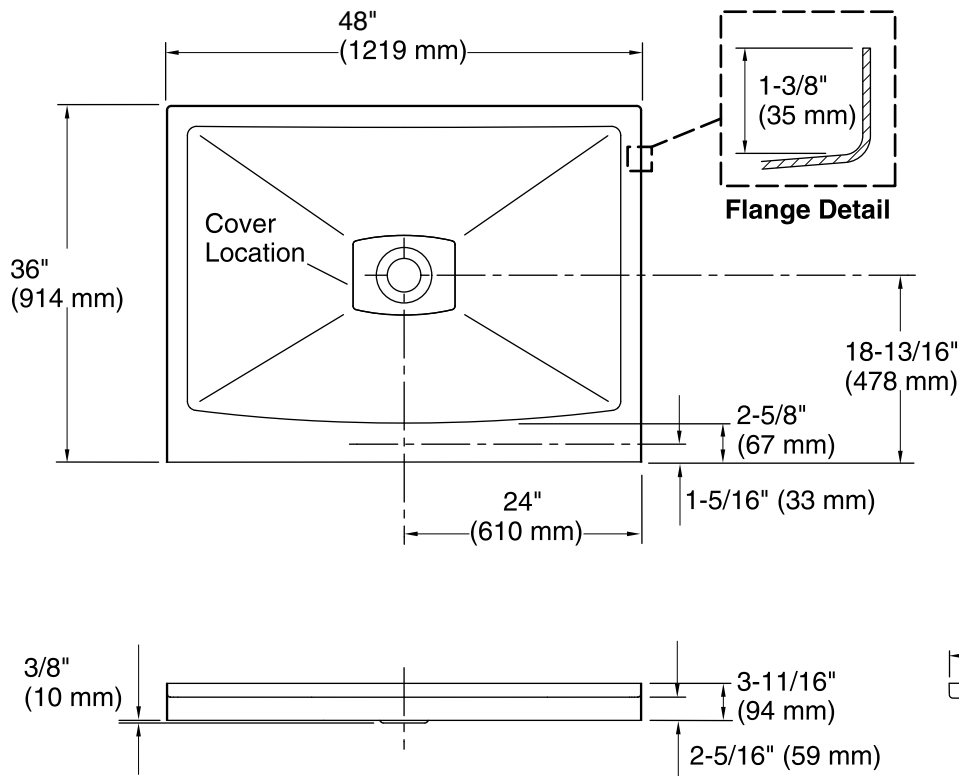
KOHLER® One-Year Limited Warranty

See website for detailed warranty information.

Available Color/Finishes

Color tiles intended for reference only.

Color	Code	Description
	0	White
	96	Biscuit
	47	Almond
	NY	Dune
	95	Ice™ Grey
	G9	Sandbar
	33	Mexican Sand™
	K4	Cashmere
	58	Thunder™ Grey
	7	Black Black™



Technical Information

All product dimensions are nominal.

Installation:	3-Wall Alcove
Drain location:	Center
Drain hole diameter:	3-3/8" (86 mm)
Weight:	43 lbs (19.5 kg)
Minimum floor load:	20 lbs/ft ² (97.6 kg/m ²)

Notes

- Measure your actual product for rough-in details.
- Install this product according to the installation instructions.
- Shimming may be required to level the fixture.
- Shimming may be required between the stud frame and the fixture.
- Stud opening tolerance is + 1/4" (6 mm), - 0" (0 mm).