

Features

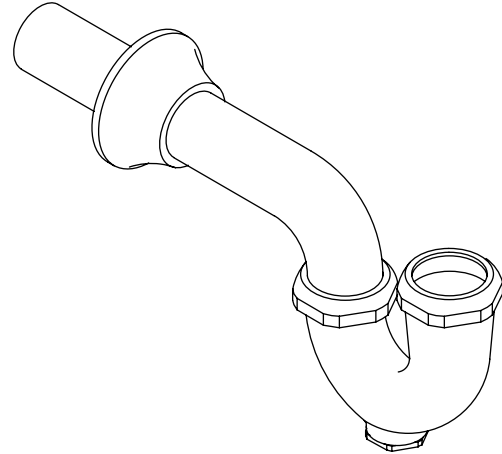
- Cast brass construction
- Adjustable rotation on tube outlet
- Slip-joint inlet
- Cleanout plug
- Flange

Codes/Standards Applicable

Specified model meets or exceeds the following:

- ASME A112.18.1/CSA B125.1
- IAPMO/UPC

P-TRAP
K-8998
ALSO K-8999, K-9000



Colors/Finishes

- CP: Polished Chrome
- Other: Refer to Price Book for additional colors/finishes

Specified Model

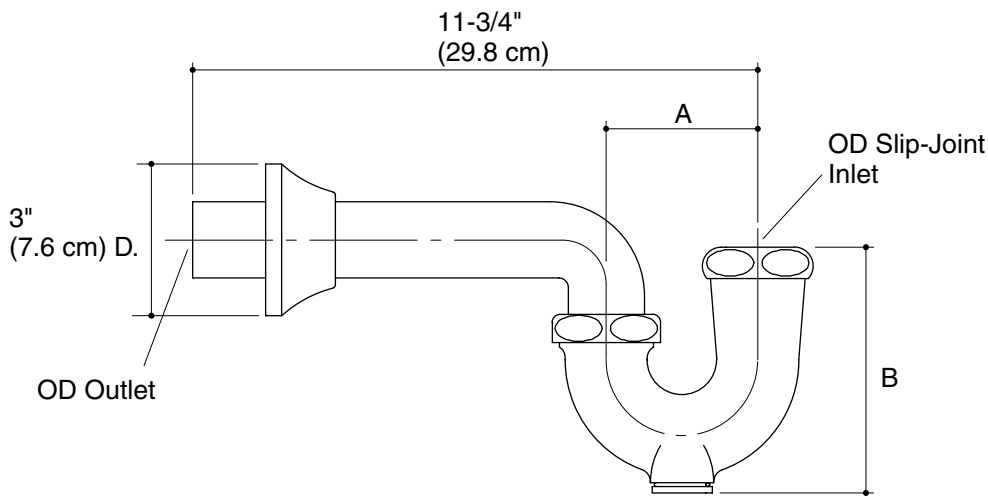
Model	Description	Colors/Finishes
K-8998	P-trap with 1-1/4" OD inlet and 1-1/4" OD outlet	<input type="checkbox"/> CP
K-8999	P-trap with 1-1/4" OD inlet and 1-1/2" OD outlet	<input type="checkbox"/> CP
K-9000	P-trap with 1-1/2" OD inlet and 1-1/2" OD outlet	<input type="checkbox"/> CP

Product Specification

P-trap shall be of cast brass construction. Adjustable P-trap shall include cleanout plug, and flange. P-trap shall feature 1-1/4" or 1-1/2" OD slip-joint inlet and 1-1/4" or 1-1/2" OD outlet. Product shall be Kohler Model K-____-____.

Installation Notes

Install this product according to the installation guide.



	A	B	OD Outlet	OD Inlet
K-8998	2-3/4" (7 cm)	4-3/8" (11.1 cm)	1-1/4" (3.2 cm)	1-1/4" (3.2 cm)
K-8999	3" (7.6 cm)	4-7/8" (12.4 cm)	1-1/2" (3.8 cm)	1-1/4" (3.2 cm)
K-9000	3" (7.6 cm)	4-7/8" (12.4 cm)	1-1/2" (3.8 cm)	1-1/2" (3.8 cm)

Product Diagram