

Features

- Integral flange.
- Left drain.
- Integral lumbar support.
- Integral apron.
- 60" (1524 mm) x 32" (813 mm) x 17-1/2" (445 mm)

Material

- Cast iron with Safeguard® finish.

Installation

- Alcove

Required Accessories

K-7214 27" Cable Bath Drain

or

7116

or

K-7259 Clearflo Bath Drain

Recommended Accessories

K-328

330

K-952 Wall-mount Non-diverter Bath Spout

K-1601 Bath/Whirlpool Footstop

K-10044 Wall-mount Non-diverter Bath Spout

K-14426 35° Bath spout

K-14427 90° Bath spout

K-15138 Wall-mount Diverter Bath Spout

K-16246 Wall-mount Non-diverter Bath Spout

K-37380 30" Rough-in Cable Bath Drain

K-37383 30" Rough-in Cable Bath Drain

K-702200-G54 Frameless Sliding Bath Door

K-702200-G73 Frameless Sliding Bath Door

K-702200-L Frameless Sliding Bath Door

K-702205-L Frameless Sliding Bath Door



ADA

Codes/Standards

ASME A112.19.1/CSA B45.2

ASTM F462

ASTM F462

ADA

ICC/ANSI A117.1



KOHLER® Lifetime Limited Warranty for Cast Iron Components

See website for detailed warranty information.

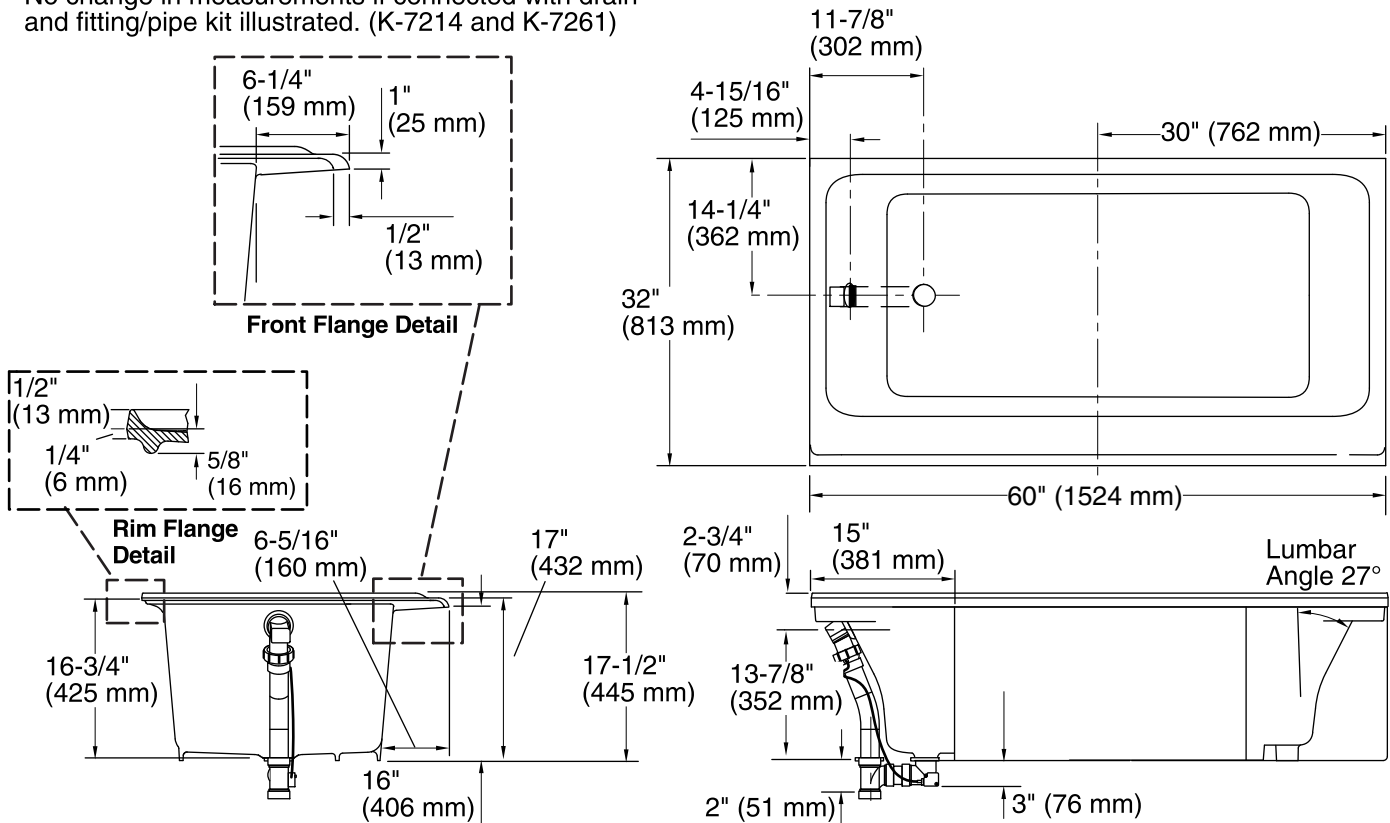
Available Color/Finishes

Color tiles intended for reference only.

| Color | Code | Description |
|-------|------|-------------|
|-------|------|-------------|

| | | |
|--|----|---------|
|  | 0 | White |
|  | 96 | Biscuit |

No change in measurements if connected with drain and fitting/pipe kit illustrated. (K-7214 and K-7261)



Technical Information

All product dimensions are nominal.

| | |
|------------------------|---|
| Installation: | 3-Wall Alcove |
| Drain location: | Left |
| Basin area, bottom: | 43-7/8" x 20-15/16" (1114 mm x 532 mm) |
| Basin area, top: | 53-3/16" x 23-5/16" (1351 mm x 592 mm) |
| Weight: | 275 lbs (124.7 kg) |
| Minimum floor load: | 54 lbs/ft ² (263.7 kg/m ²) |
| Water depth: | 12-13/16" (325 mm) |
| Water capacity: | 49.5 gal (187.4 L) |
| Minimum flat for door: | 3-3/4" (95 mm) |

Notes

Measure your actual product for rough-in details.

Install this product according to the installation instructions.

The hot water supply should be 70% of the capacity of the bath or greater. Installations will vary.

ADA compliant when installed to the specific requirements of these regulations.