

## Features

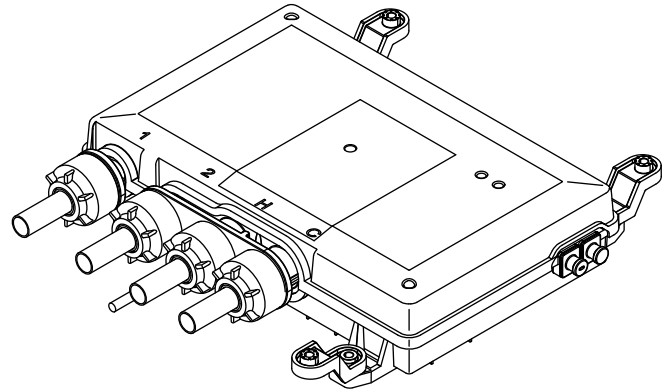
- Digitally controlled
- Temperature-balancing mechanism
- Scald hazard prevention
- Crossflow prevention
- Includes filter screens
- Mounts within a standard 2x4 wall
- Reinforced engineering thermoplastic body
- On-off flow control valve
- Two independent water outlets
- 1/2" copper tube connections

## Codes/Standards Applicable

Specified model meets or exceeds the following:

- ASME A112.18.1/CSA B125.1
- ASSE 1016
- CSA C222 No. 218.2-93
- UL 1951
- FCC Part 15

## TWO-OUTLET THERMOSTATIC VALVE K-528-K



## Colors/Finishes

- NA: None applicable

## Accessories

- 1CP: Complements Chrome Finishes
- 1SN: Complements Nickel Finishes
- 1BL: Complements Black Finishes

## Specified Model

Model	Description	Colors/Finishes		
K-528-K	Two-outlet thermostatic valve	<input type="checkbox"/> NA		
<b>Required Accessories – for Water Only Showering Systems*</b>				
K-527	Digital interface	<input type="checkbox"/> 1CP	<input type="checkbox"/> 1SN	<input type="checkbox"/> 1BL
* Other accessories are required when used in DTV II and DTV–Bath systems.				

## Product Specification

The digitally controlled two-outlet thermostatic valve shall have a reinforced engineering thermoplastic body. Product shall feature on-off flow control valve, temperature-balancing mechanism, and scald hazard prevention. Product shall feature two independent water outlets. Product shall mount within a standard 2x4 wall. Product shall also feature filter screens, crossflow prevention, and 1/2" copper tube connections. The two-outlet thermostatic valve shall be Kohler Model K-528-K-NA.

## Required Electrical Service

Dedicated circuit required, protected with Class A Ground-Fault Circuit-Interrupter (GFCI) or Residual Current Device (RCD):

Valve	120 V, 15 A, 60 Hz
-------	--------------------

Locate a 120 V outlet within close proximity to the valve.

## Installation Notes

Install this product according to the installation guide.

If used for bath-shower system, the bath spout must be connected to the #1 outlet port and restricted to 10 gal/min (37.9 l/min) maximum.

Provide access for servicing valve.

Use 1/2" supply lines.

Do not install this valve in walls exposed to subfreezing temperatures.

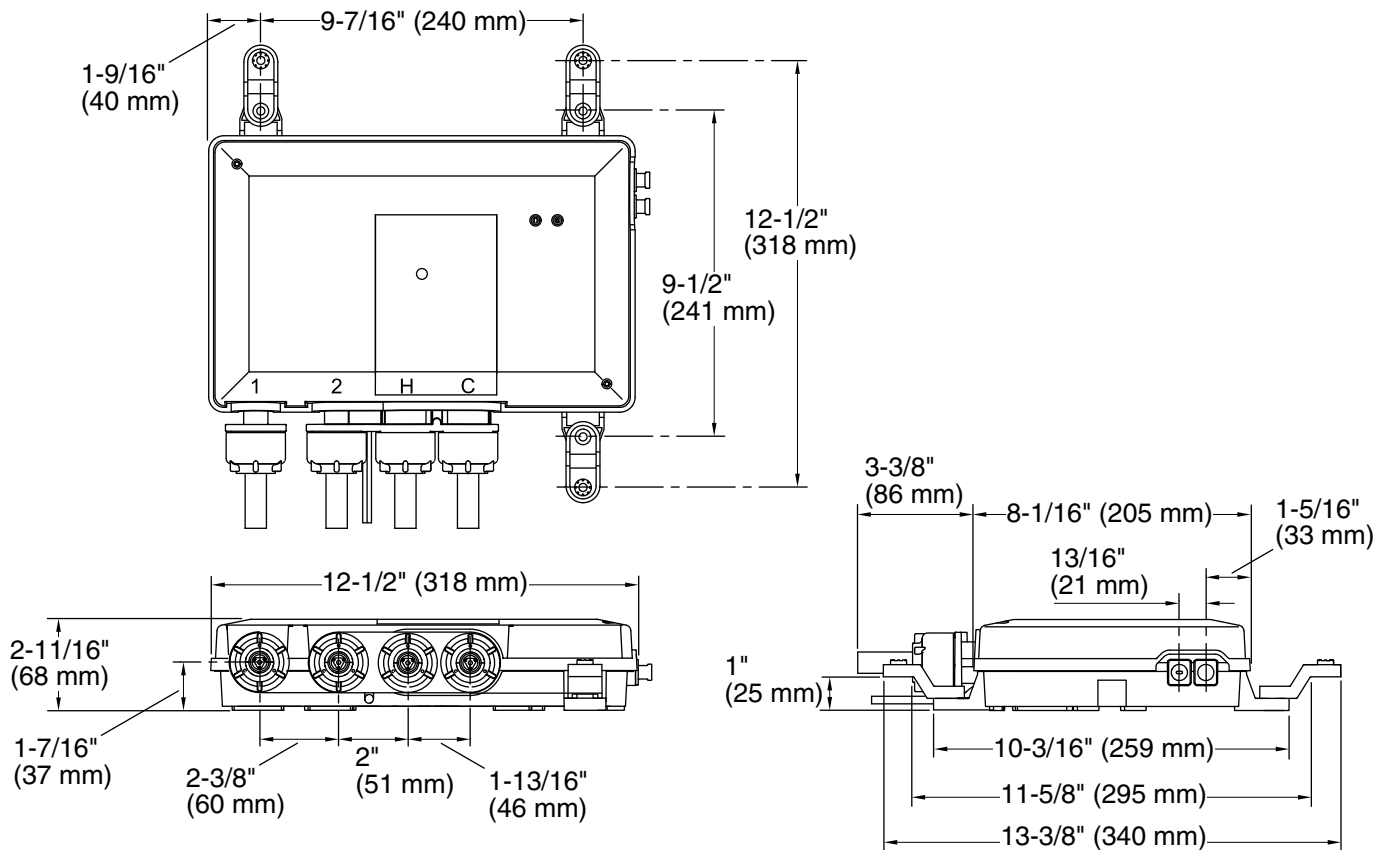
Avoid mounting the valve in a wall adjacent to a frequently occupied room, such as a bedroom or living room.

Pressure regulators are strongly recommended in applications where large pressure swings are anticipated or pressure differences between the supplies exist, such as commercial installations with separate hot and cold supply systems.

Water hammer arrestors and shut-offs are required in both the hot and cold supplies.

A 1/2" cap must be installed on any unused outlet.

Shower drain capacity must meet the shower system flow rate.



## Product Diagram

TWO-OUTLET THERMOSTATIC VALVE

Page 2 of 2  
1145587-4-C

THE BOLD LOOK  
OF **KOHLER**