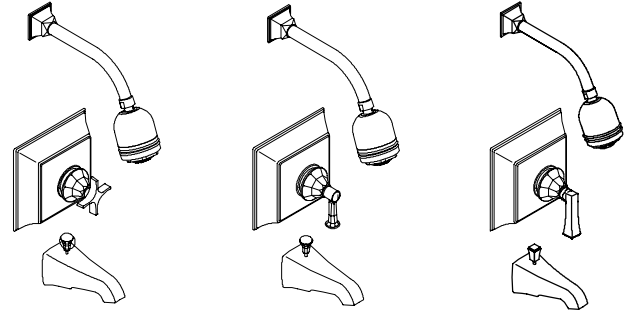


### FEATURES

- Metal construction
- Available with cross or lever handle
- Intended for use with Rite-Temp or HiFlow Rite-Temp valves

### BATH AND SHOWER FAUCET TRIM K-T461

ALSO K-T462, K-T463, K-304, K-306-KS



### CODES/STANDARDS APPLICABLE



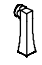
Specified model meets or exceeds the following:

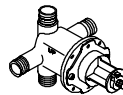
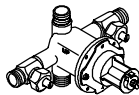
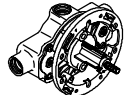
- ASME A112.18.1
- CSA B125
- IAPMO/UPC listed

### COLORS/FINISHES

- CP Polished Chrome
- Other Refer to Faucets Price Book for additional finishes

**SPECIFIED MODEL:** For complete faucet, both faucet trim and Rite-Temp valve must be specified.

Model	Description		 ADA	 ADA
K-T461-3S	Bath/Shower Trim, Cross Handle	<input type="checkbox"/> CP <input type="checkbox"/> Other_____		
K-T461-4S	Bath/Shower Trim, Faceted Lever Handle		<input type="checkbox"/> CP <input type="checkbox"/> Other_____	
K-T461-4V	Bath/Shower Trim, Deco Lever Handle			<input type="checkbox"/> CP <input type="checkbox"/> Other_____
K-T462-3S	Shower Only Trim, Cross Handle	<input type="checkbox"/> CP <input type="checkbox"/> Other_____		
K-T462-4S	Shower Only Trim, Faceted Lever Handle		<input type="checkbox"/> CP <input type="checkbox"/> Other_____	
K-T462-4V	Shower Only Trim, Deco Lever Handle			<input type="checkbox"/> CP <input type="checkbox"/> Other_____
K-T463-3S	Valve Only Trim, Cross Handle	<input type="checkbox"/> CP <input type="checkbox"/> Other_____		
K-T463-4S	Valve Only Trim, Faceted Lever Handle		<input type="checkbox"/> CP <input type="checkbox"/> Other_____	
K-T463-4V	Valve Only Trim, Deco Lever Handle			<input type="checkbox"/> CP <input type="checkbox"/> Other_____

Required Accessory				
K-304-K	Rite-Temp Valve Without Stops	<input type="checkbox"/> NA		
K-304-KS	Rite-Temp Valve With Stops		<input type="checkbox"/> NA	
K-306-KS	HiFlow Rite-Temp Valve With Integral Stops			<input type="checkbox"/> NA

Optional Accessory				
88526	HiFlow Rite-Temp Thin Wall Installation Kit	<input type="checkbox"/> CP	<input type="checkbox"/> PB	<input type="checkbox"/> Other_____

### PRODUCT SPECIFICATION:

Rite-Temp pressure-balancing single-control bath and shower faucet trim shall be of metal construction. Bath and shower trim shall include showerhead with arm and flange, 6" (15.2cm) diverter spout with N.P.T. connection, and faceplate with handle. Shower only trim shall include showerhead with arm and flange, and faceplate with handle. Valve only trim shall include faceplate with handle. Faucet trim shall be K-T\_\_\_\_-\_\_\_\_-\_\_\_\_ and Rite-Temp valve shall be K-304-\_\_\_\_-NA OR K-306-KS-NA HiFlow Rite-Temp valve.

# MEMOIRS™ STATELY

## PRODUCT INFORMATION



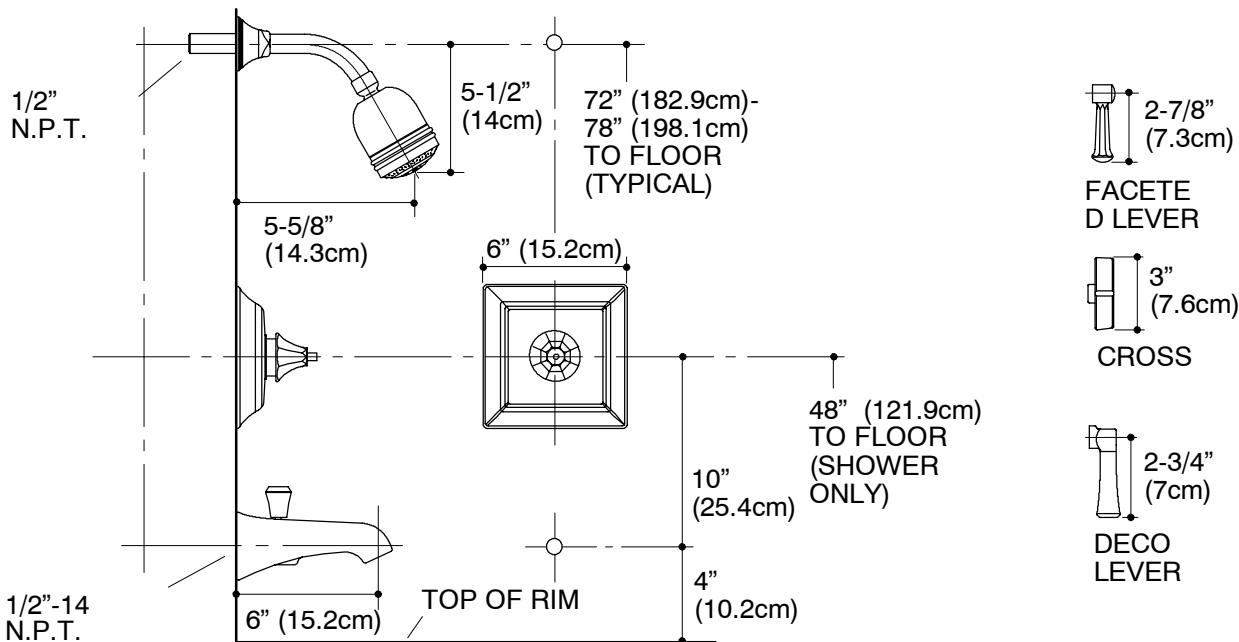
**WARNING: Risk of damage to the K-306-KS valve assembly.** When using the K-306-KS valve in a fiberglass or acrylic installation, use the thin wall installation kit (88526).

## INSTALLATION NOTES

Install this product according to the installation guide. Avoid cross-flow conditions. Do not install shut-off device on either valve outlet.

Cap shower outlet if deck-mount spout, diverter, or handshower is connected to spout outlet.

Install straight pipe or tube drop of 7" (17.8cm) to 18" (45.7cm) with single elbow between valve and wall-mount spout.



## PRODUCT DIAGRAM